

A524

FIXED LEVER WITH THREADED INSERT



Materials:

Reinforced polyamide.
Resistant to oils and greases.

Surface finish:

Satin.

Colour:

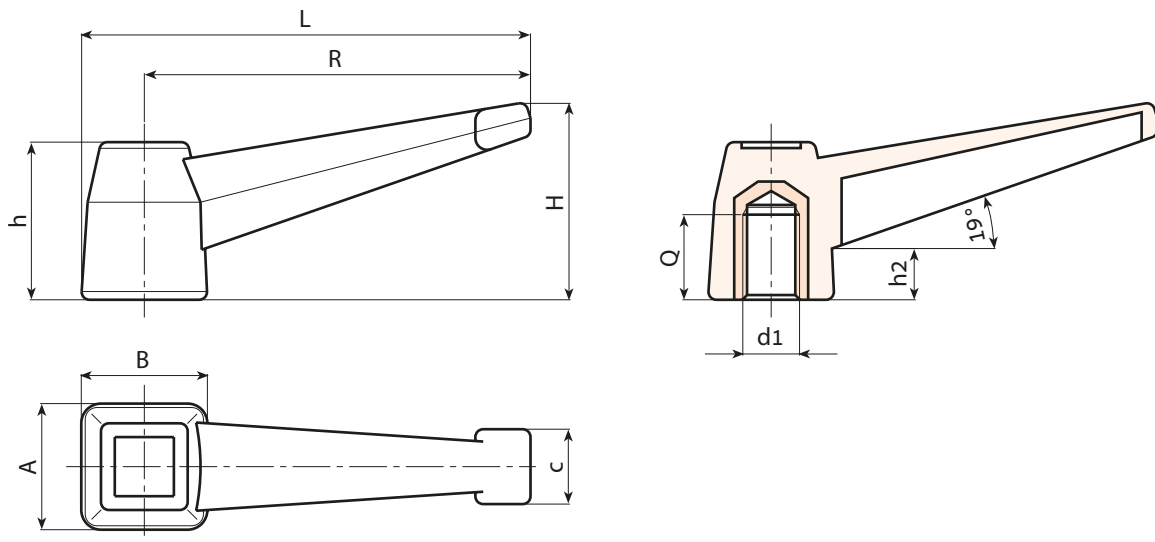
Black (RAL 9011).

Inserts:

Brass insert with female threaded hole (thread tolerance 6H).
(*) Galvanised steel insert with female threaded hole (thread tolerance 6H).

Special requests:

- Upon request and for special quantities inserts can be supplied in different materials.



Stock availability as % (🛒)

90% (●) -40% (●) -5% (●)

🛒	Art.	L	R	H	A	B	c	h	h2	d16H	Q	📦
●	A52498.TM1001	112	96	51	32	32	19	40	12	M12	19	64
●	A52498.TM1201	112	96	51	32	32	19	40	12	M14	19	68
●	A52498.TM1401	112	96	51	32	32	19	40	12	(*)M16	16	80