

A201



ALUMINIUM CAM LEVER WITH THREADED STUD AND STEEL THRUST WASHER

Materials:

(1) Aluminium alloy lever body (EN-AC-46200).

Surface finish:

Fine sandblasted satin finish.

Colour:

Epoxy powder coated, black (RAL 9011).

Inserts:

(2) Turned stainless steel (Aisi 303) rotating pin, with threaded through hole for fastening the pin (thread tolerance 6H).

(4) Thrust washer, black reinforced PA66 (RAL 9011).

Stainless steel threaded stud (Aisi303) (thread tolerance 6g).

(3) A201:

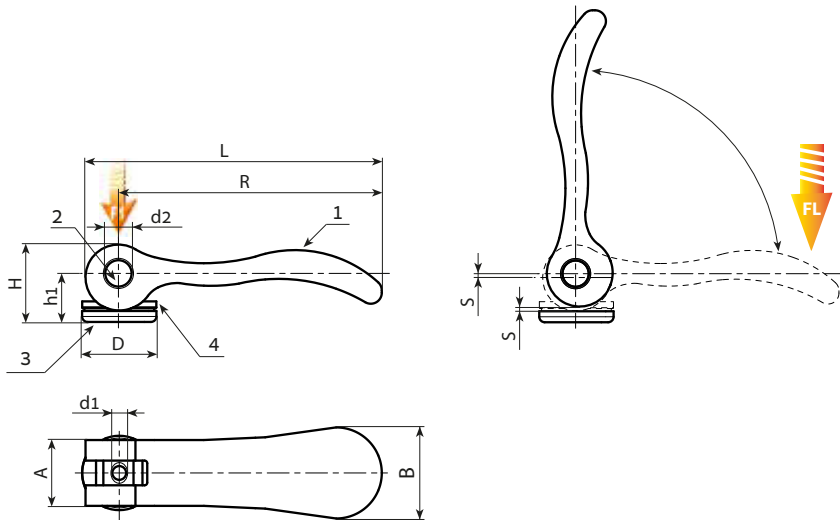
Galvanised steel washer with strength class 5.8.

(3) A201CIN:

Stainless steel washer (Aisi 303).

Special requests:

- The levers are available, upon request, in red; order code ending with the number 16, (Example: A200096.AM0816).



Version with galvanised steel inserts



Stock availability as % (🛒)
90% (●) - 40% (●) - 5% (●)

| Art. | L | R | H | D | A | B | h1 | S | d2 | d1 _{6g} | Q | g | F1 (kN) | FL (N) |
|-------------------|-----|------|------|------|------|------|------|-----|----|------------------|-------------|-----------------|---------|--------|
| A201036.AM03X..01 | 42 | 36 | 13 | 12 | 11,5 | 14,5 | 9 | 1 | 6 | M3 | 10-15-30 | 8-9-11 | 1,5 | 90 |
| A201036.AM04X..01 | 42 | 36 | 13 | 12 | 11,5 | 14,5 | 9 | 1 | 6 | M4 | 10-15-30 | 9-10-12 | 1,5 | 90 |
| A201052.AM04X..01 | 59 | 52 | 17 | 15,5 | 13 | 18 | 11 | 1 | 8 | M4 | 15-20-30 | 18-19-20 | 2,5 | 100 |
| A201052.AM05X..01 | 59 | 52 | 17 | 15,5 | 13 | 18 | 11 | 1 | 8 | M5 | 20-30-40-50 | 22-23-24-26 | 2,5 | 100 |
| A201070.AM05X..01 | 79 | 70,5 | 22 | 18 | 15 | 21,5 | 14,5 | 1,2 | 9 | M5 | 20-30-40-50 | 38-40-42-44 | 4 | 120 |
| A201070.AM06X..01 | 79 | 70,5 | 22 | 18 | 15 | 21,5 | 14,5 | 1,2 | 9 | M6 | 20-30-40-50 | 40-42-44-46 | 4 | 120 |
| A201096.AM08X..01 | 108 | 96 | 28,5 | 27 | 33 | 24 | 18 | 1,5 | 11 | M8 | 25-30-40-50 | 114-116-119-121 | 8 | 350 |
| A201096.AM10X..01 | 108 | 96 | 28,5 | 27 | 33 | 24 | 18 | 1,5 | 11 | M10 | 25-30-40-50 | 121-123-127-132 | 8 | 350 |

Enter the selected stud length in place of the two dots . . in the item code.

Version with Aisi 303 stainless steel inserts



| Art. | L | R | H | D | A | B | h1 | S | d2 | d1 _{6g} | Q | g | F1 (kN) | FL (N) |
|----------------------|-----|------|------|------|------|------|------|-----|----|------------------|-------------|-----------------|---------|--------|
| A201036.AM03X..01CIN | 42 | 36 | 13 | 12 | 11,5 | 14,5 | 9 | 1 | 6 | M3 | 10-15-30 | 8-9-11 | 1,5 | 90 |
| A201036.AM04X..01CIN | 42 | 36 | 13 | 12 | 11,5 | 14,5 | 9 | 1 | 6 | M4 | 10-15-30 | 9-10-12 | 1,5 | 90 |
| A201052.AM04X..01CIN | 59 | 52 | 17 | 15,5 | 13 | 18 | 11 | 1 | 8 | M4 | 15-20-30 | 18-19-20 | 2,5 | 100 |
| A201052.AM05X..01CIN | 59 | 52 | 17 | 15,5 | 13 | 18 | 11 | 1 | 8 | M5 | 20-30-40-50 | 22-23-24-26 | 2,5 | 100 |
| A201070.AM05X..01CIN | 79 | 70,5 | 22 | 18 | 15 | 21,5 | 14,5 | 1,2 | 9 | M5 | 20-30-40-50 | 38-40-42-44 | 4 | 120 |
| A201070.AM06X..01CIN | 79 | 70,5 | 22 | 18 | 15 | 21,5 | 14,5 | 1,2 | 9 | M6 | 20-30-40-50 | 40-42-44-46 | 4 | 120 |
| A201096.AM08X..01CIN | 108 | 96 | 28,5 | 27 | 33 | 24 | 18 | 1,5 | 11 | M8 | 25-30-40-50 | 114-116-119-121 | 8 | 350 |
| A201096.AM10X..01CIN | 108 | 96 | 28,5 | 27 | 33 | 24 | 18 | 1,5 | 11 | M10 | 25-30-40-50 | 121-123-127-132 | 8 | 350 |

Enter the selected stud length in place of the two dots . . in the item code.



Arbel Agencies LTD.

11 Ba'alei Hamelacha st. Qiryat Bialik P.O.B 1095, ZIP 2751311, ISRAEL
+972(0)48736969 ☎ +972(0)48730708 📠 info@arbel-ltd.com 📧 www.arbel-ltd.com 🌐

