

A200



ALUMINIUM CAM LEVER WITH THREADED INSERT AND STEEL THRUST WASHER

Materials:

(1) Aluminium alloy lever body (EN-AC-46200).

Surface finish:

Fine sandblasted satin finish.

Colour:

Epoxy powder coated, black (RAL 9011).

Inserts:

(2) Turned stainless steel (Aisi 303) rotating pin, with threaded through hole for fastening the pin (thread tolerance 6H).

(4) Thrust washer, black reinforced PA66 (RAL 9011).

(3) A200:

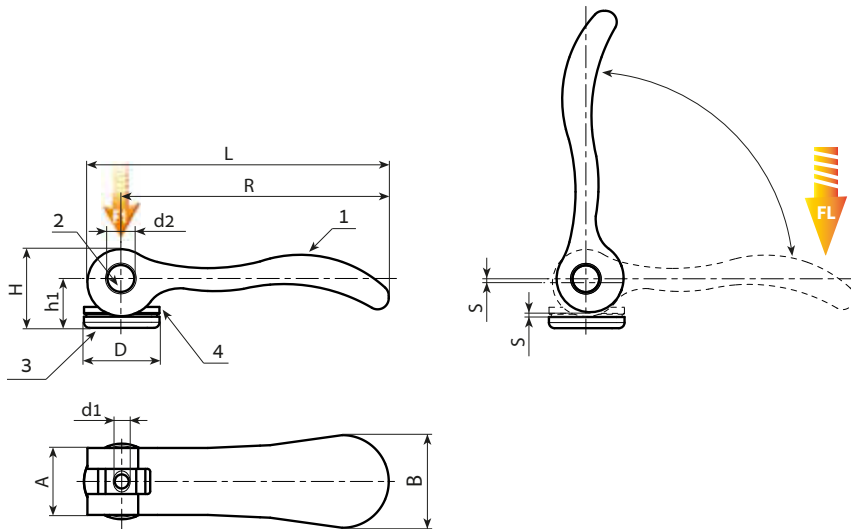
Galvanised steel washer with strength class 5.8.

(3) A200CIN:

Stainless steel washer (Aisi 303).

Special requests:

- The levers are available, upon request, in red; order code ending with the number 16, (Example: A200096.AM0816).



Version with galvanised steel inserts



Stock availability as % (🛒)
90% (●) - 40% (●) - 5% (●)

🛒	Art.	L	R	H	D	A	B	h1	S	d2	d16H	🏋️	F1 (kN)	FL (N)
●	A200036.AM0301	42	36	13	12	11,5	14,5	9	1	6	M3	10	1,5	90
●	A200036.AM0401	42	36	13	12	11,5	14,5	9	1	6	M4	10	1,5	90
●	A200052.AM0401	59	52	17	15,5	13	18	11	1	8	M4	18	2,5	100
●	A200052.AM0501	59	52	17	15,5	13	18	11	1	8	M5	18	2,5	100
●	A200070.AM0501	79	70,5	22	18	15	21,5	14,5	1,2	9	M5	32	4	120
●	A200070.AM0601	79	70,5	22	18	15	21,5	14,5	1,2	9	M6	32	4	120
●	A200096.AM0801	108	96	28.5	27	33	24	18	1.5	11	M8	98	8	350

Version with Aisi 303 stainless steel inserts



🛒	Art.	L	R	H	D	A	B	h1	S	d2	d16H	🏋️	F1 (kN)	FL (N)
●	A200036.AM0301CIN	42	36	13	12	11,5	14,5	9	1	6	M3	10	1,5	90
●	A200036.AM0401CIN	42	36	13	12	11,5	14,5	9	1	6	M4	10	1,5	90
●	A200052.AM0401CIN	59	52	17	15,5	13	18	11	1	8	M4	18	2,5	100
●	A200052.AM0501CIN	59	52	17	15,5	13	18	11	1	8	M5	18	2,5	100
●	A200070.AM0501CIN	79	70,5	22	18	15	21,5	14,5	1,2	9	M5	32	4	120
●	A200070.AM0601CIN	79	70,5	22	18	15	21,5	14,5	1,2	9	M6	32	4	120
●	A200096.AM0801CIN	108	96	28.5	27	33	24	18	1.5	11	M8	98	8	350

Arbel Agencies LTD.



11 Ba'alei Hamelacha st. Qiryat Bialik P.O.B 1095, ZIP 2751311, ISRAEL
+972(0)48736969 ☎ +972(0)48730708 📠 info@arbel-ltd.com 📧 www.arbel-ltd.com 🌐

