

A150

"EUROMODEL" FIXED LEVER WITH THREADED INSERT



Materials:

Special technopolymer reinforced with high-strength glass fiber.
Resistant to oils and greases.

Surface finish:

Satin.

Colour:

Black (RAL 9011).

Central cap:

Central cap in grey polyamide (RAL 7035).

Inserts:

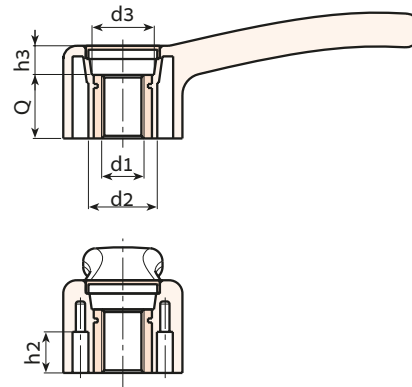
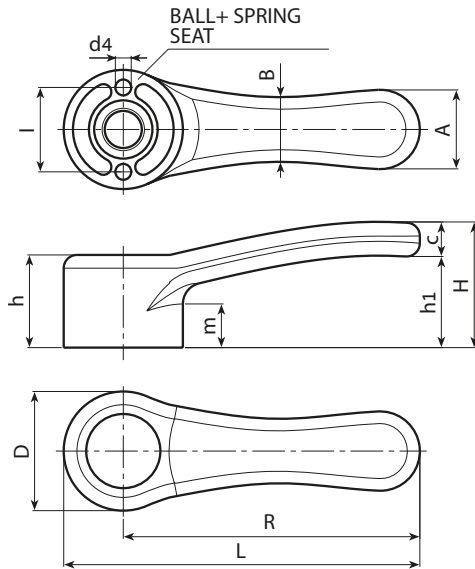
Galvanised steel insert with threaded through hole (thread tolerance 6H).

Alternative cap colours:

Orange (RAL 2004 code 02).
Blue (RAL 5015 code 07).
Yellow (RAL 1021 code 10).
Red (RAL 3000 code 16).
Green (RAL 6024 code 17).
Black (RAL 9011 code 01).

Special requests:

- Upon request balls and fixing springs (galvanised steel).
- Upon request and for special quantities inserts can be supplied in different materials.
- Upon request and for special quantities inserts can be supplied with a different treatment.
- Upon request and for special quantities available in the colours indicated in the chart [page].



BATECO
EUROMODEL

Stock availability as % (🛒)
90% (●) - 40% (●) - 5% (●)

🛒	Art.	L	R	D	H	h	h1	h2	h3	m	l	A	B	c	d2	d3	d4	d16H	Q	g
●	A150068.TM0601	84.5	68	33	37	25	27	11.5	9	12	24	20	17	10	20	16	4	M6	16	42
●	A150068.TM0801	84.5	68	33	37	25	27	11.5	9	12	24	20	17	10	20	16	4	M8	16	40
●	A150068.TM1001	84.5	68	33	37	25	27	11.5	9	12	24	20	17	10	20	16	4	M10	16	40
●	A150086.TM0801	104	86	36	40	28	29	14	12	13	26	24	19	11	22	18	5	M8	16	72
●	A150086.TM1001	104	86	36	40	28	29	14	12	13	26	24	19	11	22	18	5	M10	16	71
●	A150086.TM1201	104	86	36	40	28	29	14	12	13	26	24	19	11	22	18	5	M12	16	70
●	A150112.TM1201	134.5	112	45	47	36	35	14.5	12	16	32	30	24	13	26	23.5	6	M12	24	99
●	A150112.TM1401	134.5	112	45	47	36	35	14.5	12	16	32	30	24	13	26	23.5	6	M14	24	98
●	A150112.TM1601	134.5	112	45	47	36	35	14.5	12	16	32	30	24	13	26	23.5	6	M16	24	95
●	A150142.TM1401	169.5	142	55	52	40	36	18	13	17.5	40	37	30	16	32	28	8	M14	27	240
●	A150142.TM1601	169.5	142	55	52	40	36	18	13	17.5	40	37	30	16	32	28	8	M16	27	235
●	A150142.TM1801	169.5	142	55	52	40	36	18	13	17.5	40	37	30	16	32	28	8	M18	27	230

Arbel Agencies LTD.



11 Ba'alei Hamelacha st. Qiryat Bialik P.O.B 1095, ZIP 2751311, ISRAEL
+972(0)48736969 ☎ +972(0)48730708 📠 info@arbel-ltd.com 📧 www.arbel-ltd.com 🌐

