

# A149

## LOCKING HANDLE WITH THREADED STUD



### Materials:

Reinforced polyamide.  
Resistant to oils and greases.

### Surface finish:

Satin.

### Colour:

Black (RAL 9011).

### Central cap:

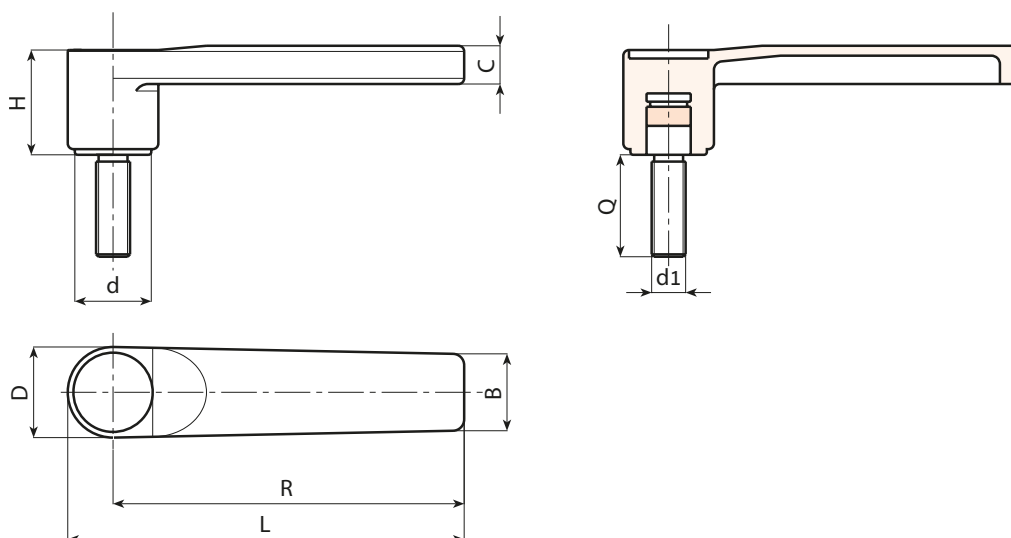
Central cap in grey polyamide (RAL 7035).

### Inserts:

Galvanised steel threaded stud (thread tolerance 6g).

### Special requests:

- Upon request and for special quantities inserts can be supplied with customised lengths.
- Upon request and for special quantities inserts can be supplied in different materials.



Stock availability as % (🛒)  
90% (●) - 40% (●) - 5% (●)

🛒	Art.	L	R	H	D	c	B	h1	d	LM	d1 <sub>6g</sub>	Q	📦
●	A149125.TM10X..01	139	125	37	31	13	26	35	27.5	50	M10	A.R.	-
●	A149125.TM12X3001	139	125	37	31	13	26	35	27.5	50	M12	30	113
●	A149125.TM14X..01	139	125	37	31	13	26	35	27.5	50	M14	A.R.	-

Enter the selected stud length in place of the two dots . . in the item code. Customised stud length available for a minimum of 100 pieces.

A.R. = Upon request, for a minimum of 100 pieces.

LM = Maximum mouldable length.