



Features and Benefits

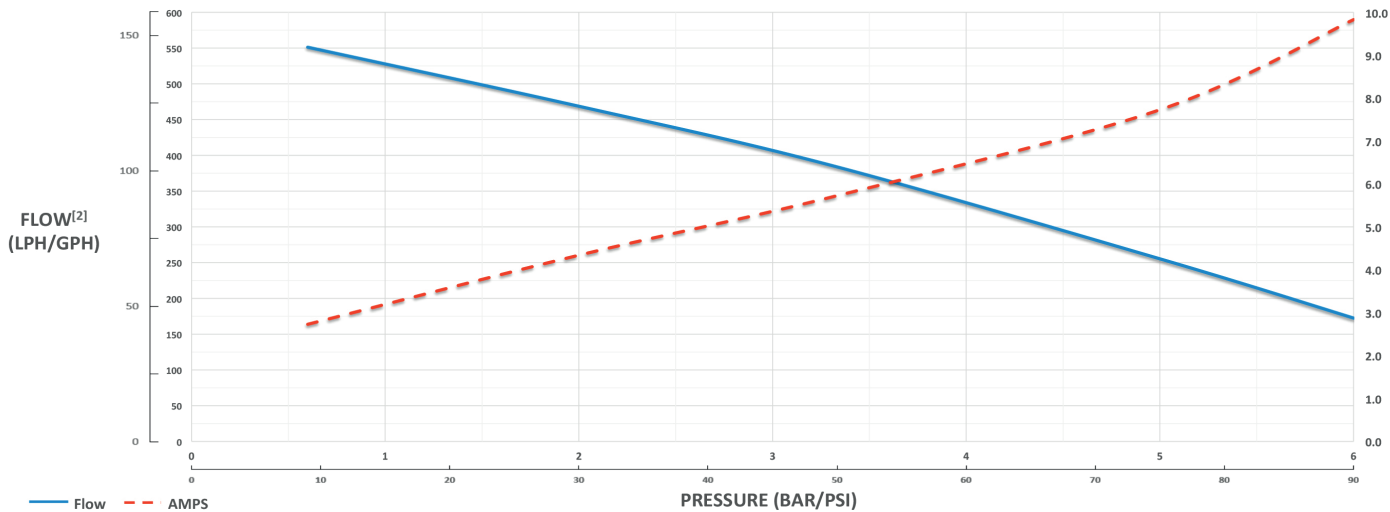
- Self priming (water) and maintenance free with low vibration and pulsation characteristics
- Positive Displacement Gear Pump with 24VDC brushless motor with built in controller
- Flow up to 216 GPH (817 LPH)
- Horsepower required 0.14 to 0.40 hp (100 to 300 watts)
- Stainless steel housing works with acidity > 2 pH

General Applications

- Boiler Feeds
- Temperature Control
- Medical Application
- Reverse Osmosis
- Beer Chillers
- Pesticide Systems
- Cooling Systems

Technical Information			
Housing and motor shaft	304 Stainless Steel	Ports	NPT 3/8" Thread
Gears and Bushing	Carbon Fiber PEEK	Motor Type	24V Brushed DC with Control
Elastomer	EPDM (FDA,NSF Approved)	Insulation Class	F
Seals	Carbon /Silicon Carbide	Unit Weight	2.5 kg (5.6 lbs.)

Operating Range			
Max Static Pressure	20 bar (290 PSI)	Fluid Temperature	-20° to 90°C (-4° to 194°F)
Max Vacuum Dry	1 M (3.3 ft)	Viscosity ^[1]	10,000 cP
Max Vacuum Wet	8 M (26.25 ft)	Max Discharge Pressure	4 bar (60 psi)
Wet Lift with Water	2 M (6 ft)	Speed	500 to 3500 RPM

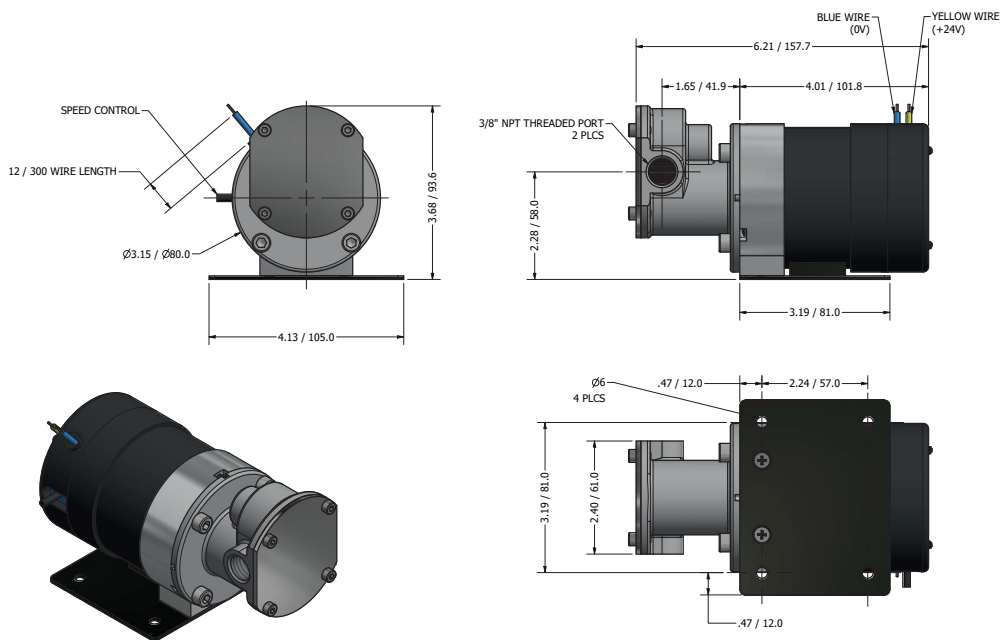


RoHS



NOTES:
 [1] Flow may vary with viscosity
 [2] Flow curve based on pump tested with water at room temperature

DIMENSION AND CONNECTION DETAILS



NOTE: Dimensions are in inches/millimeters