

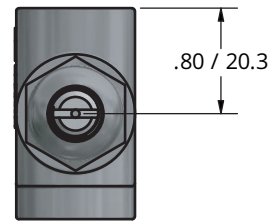
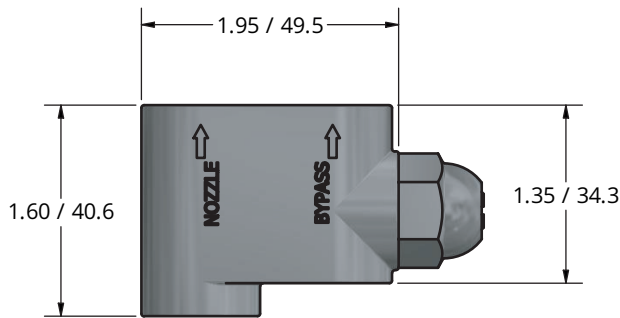
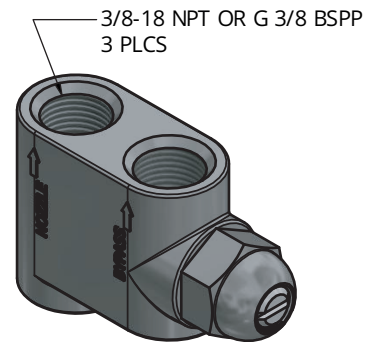
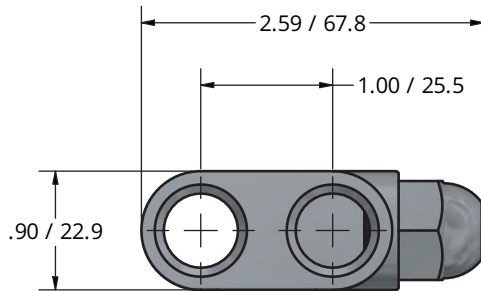
Technical Information (Options)

Pump Housing Material	Brass 1.5%-2.5% Lead / 304 Stainless Steel
Elastomers	Nitrile, Ethylene Propylene (EPDM), Fluorocarbon, or Neoprene
Valves	Stainless steel, Brass, or Plastic High temp ultem
Ports	G 3/8" or NPT 3/8"
Weight	Approx. 0.7 lbs. (0.3kg)
Unit Weight	0.9kg (2 lbs.)

Operating Range

Max Flow Rate	265GPH (800 LPH)
Max Discharge Pressure	250 PSI (17 BAR)
Fluid Temperature	-40°C to +205°C (-40°F to +400°F)
Fluid Acidity	Brass housing > 6 pH / Stainless steel housing > 2 pH ¹

¹ Consult with manufacturer for extreme operating conditions



RoHS

