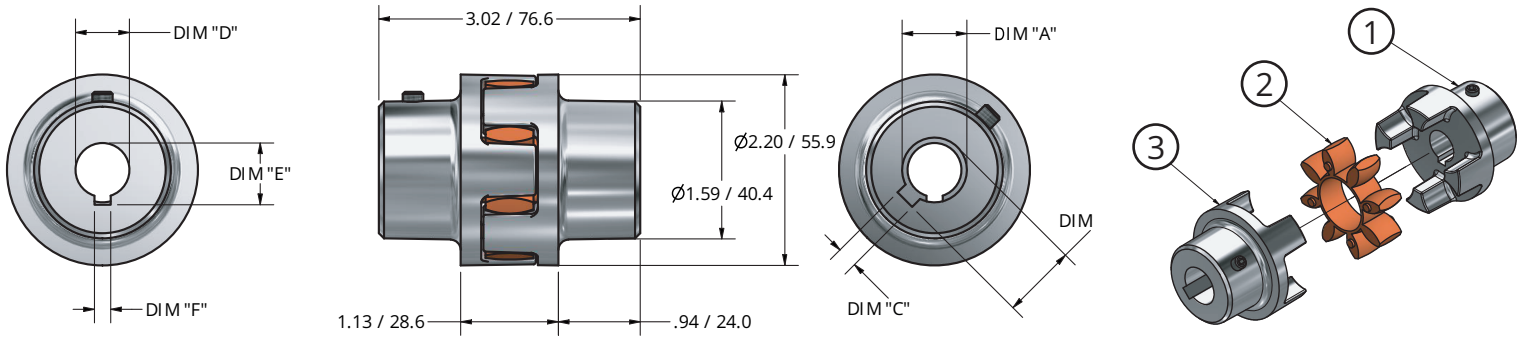




Technical Information	
Coupling Materials	Cast Aluminum/Polyurethane T-PUR
Weight	Approx. 0.7 lbs. (0.3kg)
Procon Pump Types	Series 1, 2, 3, 4, 5, 6

Operating Range
Max Flow Rate@250PSI (17.5 Bar) 660 GPH (2000 LPH)



Coupling Component List		
Part 1	Part 2	Part 3
Drive Coupling (Motor)	Spider Grommet	Driven Coupling (Pump)

Set Part Number	Pump Type	DIM "A"	DIM "B"	DIM "C"	DIM "D"	DIM "E"	DIM "F"
3880-1	Series 1, 2, 3, 4, 5	ø 0.433"/11mm	0.5039"/12.8mm	0.1574"/4mm	ø 0.4374"/11.11mm	0.49"/12.5mm	0.09"/2.4mm
3880-2	Series 1, 2, 3, 4, 5	ø 0.551"/14mm	0.6417"/16.3mm	0.1968"/5mm	ø 0.4374"/11.11mm	0.49"/12.5mm	0.09"/2.4mm
3880-3	Series 1, 2, 3, 4, 5	ø 0.748"/19mm	0.8582"/21.8mm	0.2362"/6mm	ø 0.4374"/11.11mm	0.49"/12.5mm	0.09"/2.4mm
3881	Series 6	ø 0.624"/15.85mm	0.7125"/18.1mm	0.187"/4.75mm	ø 0.9449"/24mm	1.0748"/27.3mm	0.3149"/8mm
3881-1	Series 6	ø 0.624"/15.85mm	0.7125"/18.1mm	0.187"/4.75mm	ø 0.624"/15.85mm	0.71"/18.1mm	0.19"/4.8mm
3881-2	Series 6	ø 0.624"/15.85mm	0.7125"/18.1mm	0.187"/4.75mm	ø 0.748"/19mm	0.8582"/21.8mm	0.2362"/6mm
3881-3	Series 6	ø 0.624"/15.85mm	0.7125"/18.1mm	0.187"/4.75mm	ø 0.551"/14mm	0.6417"/16.3mm	0.1968"/5mm

