

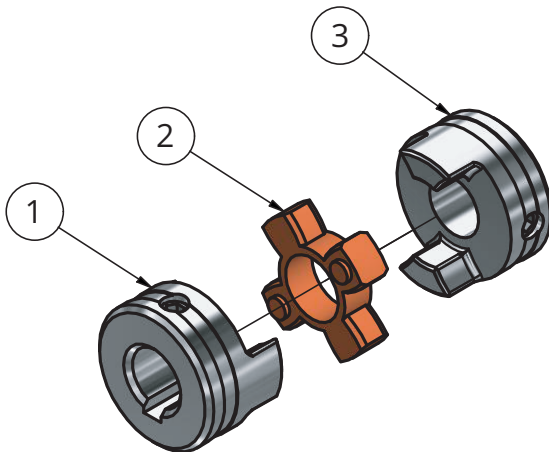
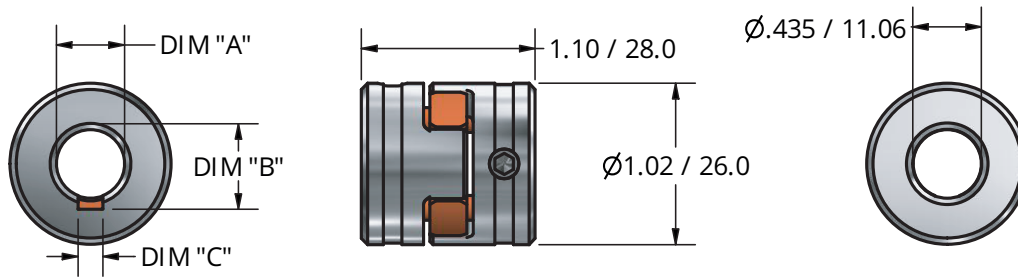


Technical Information

Coupling Materials	Cast Aluminum/Polyurethane T-PUR
Weight	Approx. 0.07 lbs. (0.03kg)
Procon Pump Types	Series 1, 2, 3, 4, 5

Operating Range

Max Flow Rate@250PSI (17.5 Bar)	330 GPH (1000 LPH)
---------------------------------	--------------------



Coupling Component List

Part 1	Part 2	Part 3
Drive Coupling (Motor)	Spider Grommet	Driven Coupling (Pump)

Set Part Number	DIM "A"	DIM "B"	DIM "C"
3865	ø 0.433"/11mm	0.5039"/12.8mm	0.1574"/4mm
3861-1	ø 0.551"/14mm	0.6417"/16.3mm	0.1968"/5mm

