



Features and Benefits

- Self priming (water) and maintenance free with low vibration and pulsation characteristics
- Innovative mechanical seal design requires less sanitizing
- Positive Displacement Gear Pump with 24VDC brushless motor with built in controller
- Self-priming and maintenance free with low vibration and pulsation characteristics
- Available without an Internal Relief valve, with a set range of 1 to 4 Bar (14 to 60 PSI)

General Applications

- Milk Frothing
- Espresso/Coffee
- Syrup Dispensing
- Ink Dispensing
- Syrup Dispensing
- Detergent Dispensing
- Medical Application

Technical Information

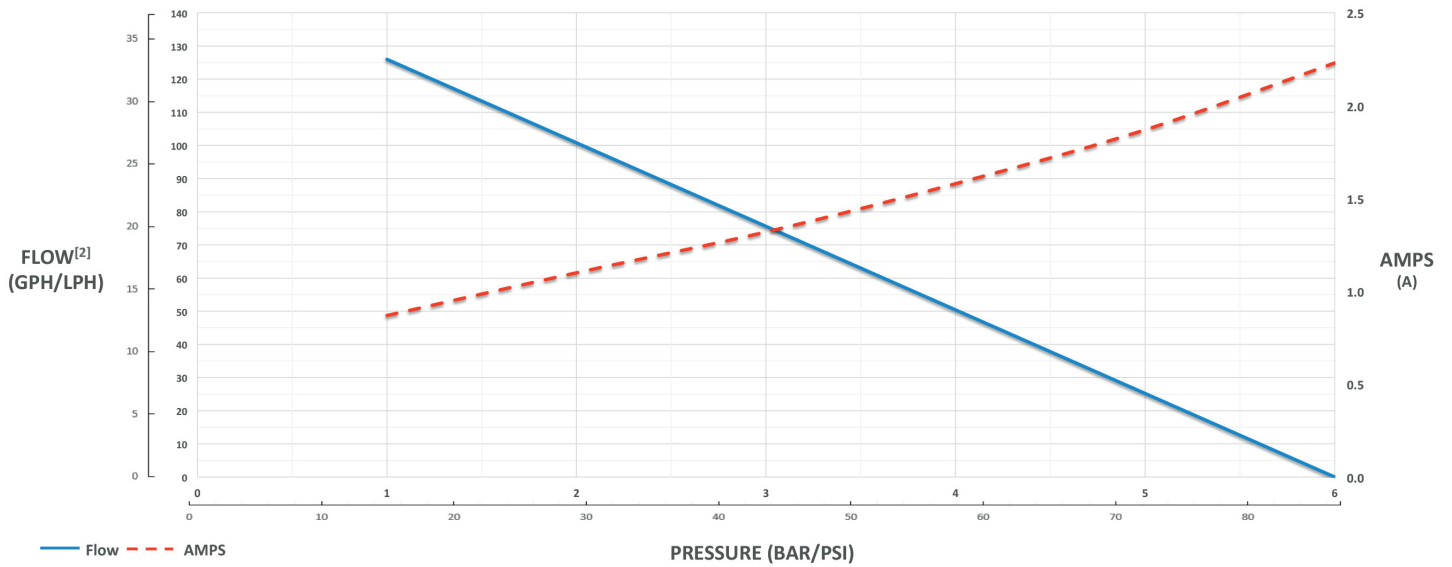
| | | | |
|-------------------------|--|---------------------|-------------------------------|
| Housing and motor shaft | Glass filled PPS / 304 Stainless Steel | Motor Type | 24V Brushless DC with control |
| Gears and Bushing | Carbon Fiber PEEK | Motor IP Protection | IP 20 |
| Seals | Carbon / Silicon Carbide | Insulation Class | B |
| Elastomers | EPDM (FDA,NSF Approved), Fluorocarbon | Speed Control | Manual adjust speed pot |
| Ports | G 1/8" | Unit Weight | 0.75 kg (1.65 lbs.) |
| Valve Material | Teflon | | |

Motor Performance

| | Max Output Power | Max Speed | Max. Input Current | Relief Valve |
|----------------|------------------|-----------|--------------------|--------------|
| 5191FCT2GXXBAA | 34 W | 3,300 RPM | 1.6 A | No |
| 5191GCT2GXXBAA | 34 W | 3,300 RPM | 1.6 A | Yes |

Operating Range

| | | | |
|----------------------|----------------------------------|---------------------------------------|-----------------------------|
| Max. Fluid Viscosity | 20,000 Centipoise ^[1] | Fluid Temperature | -20° to 80°C (-4° to 176°F) |
| Max. Sound Level | 60 dBA | Max Static Pressure | 4 bar (60 PSI) |
| Max Vacuum Dry | 1M (3.3 ft) | Max Discharge Pressure (Intermittent) | 6 bar (90 PSI) |
| Max Vacuum Wet | 2M (6 ft) | Max Discharge Pressure (Continuous) | 3 bar (45 PSI) |



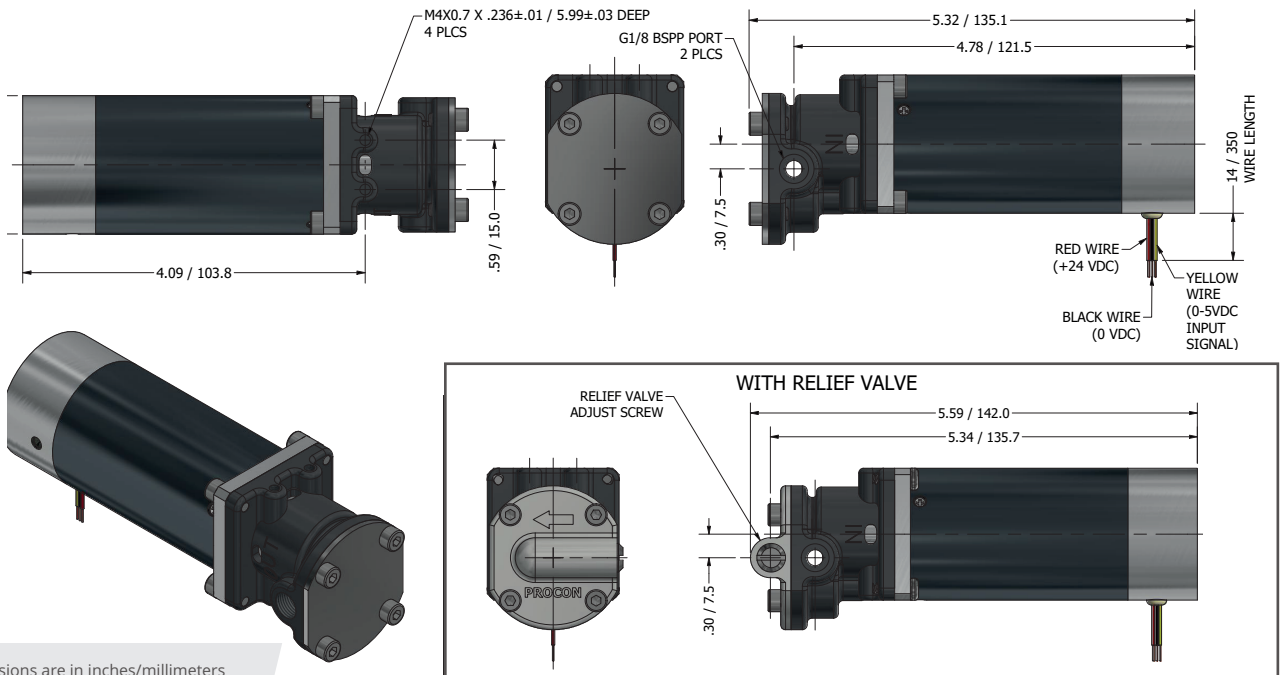
RoHS



NOTES:

- [1] Flow may vary with viscosity
- [2] Performance based on pump tested with water at room temperature & at full speed

DIMENSION AND CONNECTION DETAILS



NOTE: Dimensions are in inches/millimeters