

**General Applications**

- Milk Frothing
- Espresso/Coffee
- Syrup Dispensing
- Ink Dispensing
- Syrup Dispensing
- Detergent Dispensing
- Medical Application

**Features and Benefits**

- Self priming (water) and maintenance free with low vibration and pulsation characteristics
- Innovative mechanical seal design requires less sanitizing
- Positive Displacement Gear Pump with 24VDC brushless motor with built in controller
- Self-priming and maintenance free with low vibration and pulsation characteristics
- Stainless Steel housing works with acidity > 2 pH<sup>[1]</sup>
- Available without an Internal Relief valve, with a set range of 1 to 4 Bar (14 to 60 PSI)

**Technical Information**

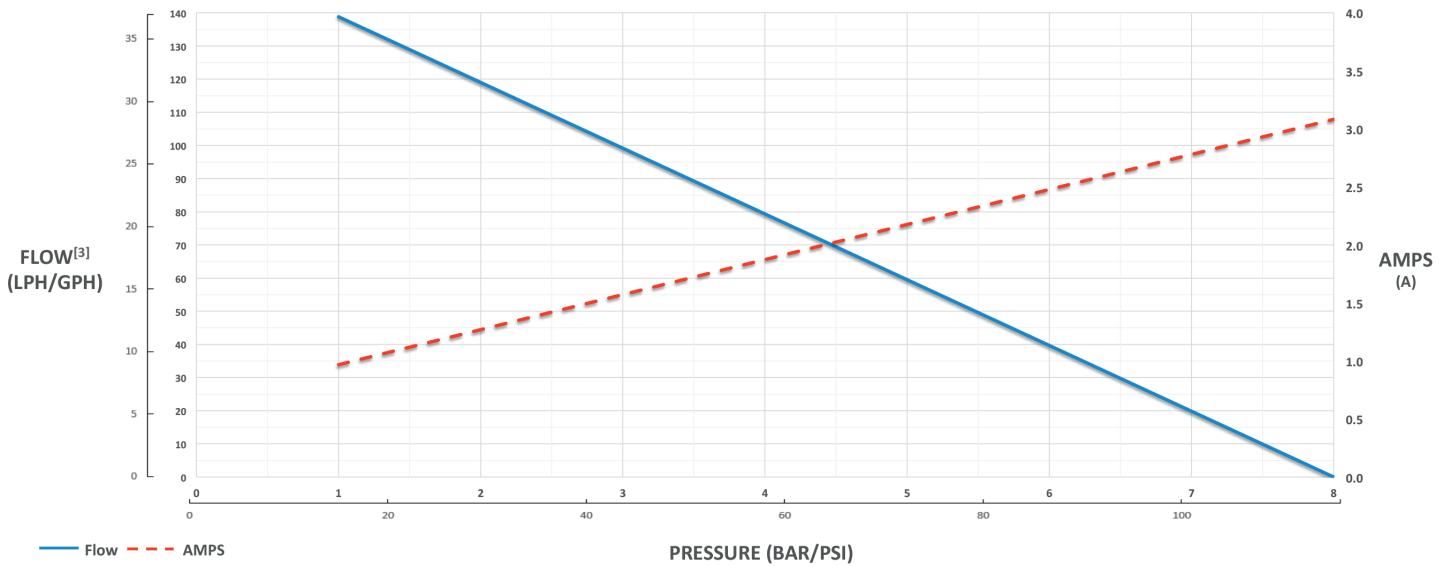
Housing and motor shaft	304 Stainless Steel	Motor Type	24V Brushless DC with control
Gears and Bushing	Carbon Fiber PEEK	Motor IP Protection	IP 20
Seals	Carbon /Silicon Carbide	Insulation Class	B
Elastomers	EPDM or Fluorocarbon	Speed Control	0-5VDC Input Signal
Ports	G 1/8"	Unit Weight	0.75 kg (1.65 lbs.)
Valve Material	Teflon		

**Motor Performance**

	Max Output Power	Max Speed	Max. Input Current	Relief Valve
5191FCT2GXXBAA	34 W	3,300 RPM	1.6 A	No
5191GCT2GXXBAA	34 W	3,300 RPM	1.6 A	Yes

**Operating Range**

Max. Fluid Viscosity	20,000 Centipoise <sup>[2]</sup>	Fluid Temperature	-20° to 80°C (-4° to 176°F)
Max. Sound Level	60 dBA	Max Static Pressure	4 bar (60 PSI)
Max Vacuum Dry	1M (3.3 ft)	Max Discharge Pressure (Intermittent)	6 bar (90 PSI)
Max Vacuum Wet	2M (6 ft)	Max Discharge Pressure ( Continuous)	3 bar (45 PSI)



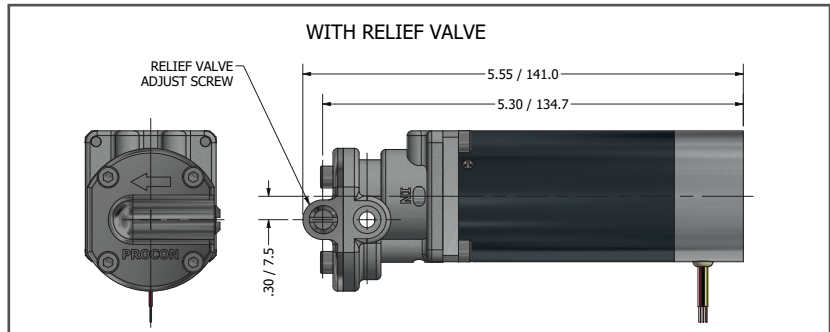
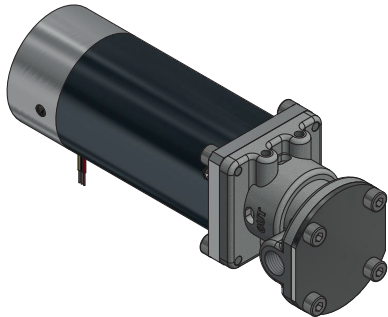
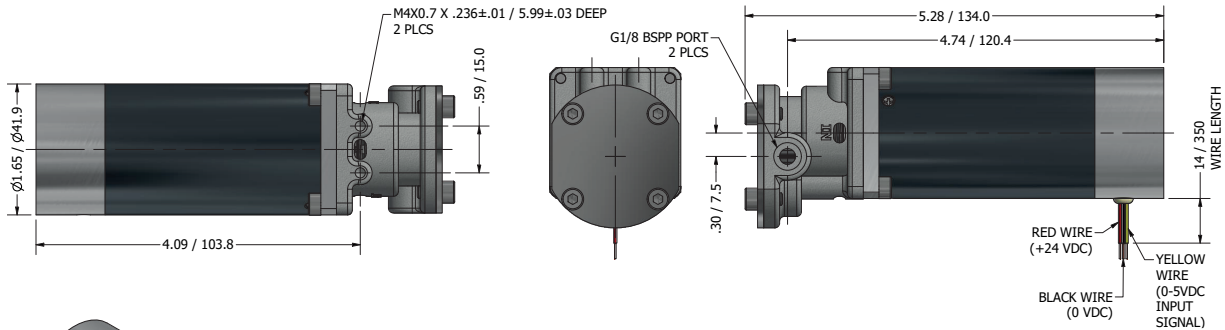
**RoHS**



**NOTES:**

- [1] Consult with manufacturer for extreme operating conditions
- [2] Flow may vary with viscosity
- [3] Performance based on pump tested with water at room temperature & at full speed

**DIMENSION AND CONNECTION DETAILS**



NOTE: Dimensions are in inches/millimeters