

General Applications

- Milk Frothing
- Espresso/Coffee
- Syrup Dispensing
- Ink Dispensing
- Syrup Dispensing
- Detergent Dispensing
- Medical Application

Features and Benefits

- Self priming (water) and maintenance free with low vibration and pulsation characteristics
- Innovative mechanical seal design requires less sanitizing
- Positive Displacement Gear Pump with 24VDC brushed motor
- Self-priming and maintenance free with low vibration and pulsation characteristics
- Available without an Internal Relief valve, with a set range of 1 to 4 Bar (14 to 60 PSI)

Technical Information

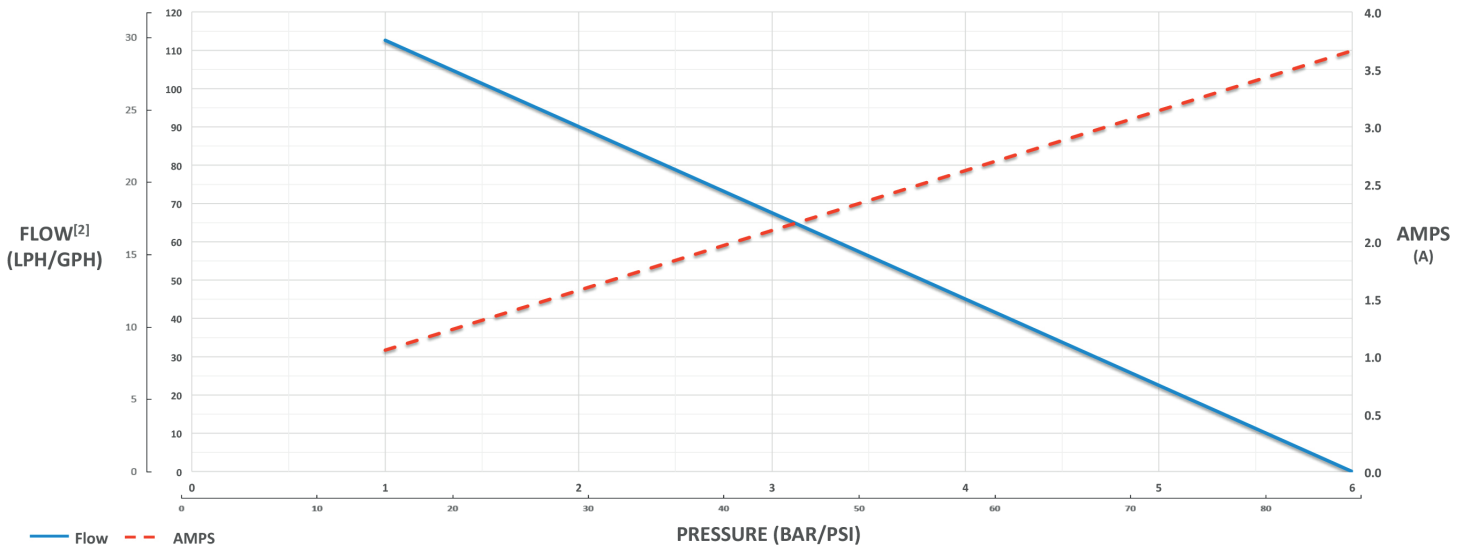
Housing and motor shaft	PPS Glass filled / 304 Stainless Steel	Valve Material	Teflon
Gears and Bushing	Carbon Fiber PEEK	Motor Type	24V Brushed DC
Seals	Carbon / Silicon Carbide	Motor IP Protection	IP 20
Elastomers	EPDM (FDA,NSF Approved), Fluorocarbon	Insulation Class	F
Ports	G 1/8"	Unit Weight	0.8 kg (1.76 lbs.)

Motor Performance

	Max Output Power	Max Speed	Max Input Current	Relief Valve
5191HCT2GXXACX	30W	3,000 RPM	2.6 A	No
5191LCT2GXXACX	30W	3,000 RPM	2.6 A	Yes

Operating Range

Max. Fluid Viscosity	20,000 Centipoise ^[1]	Fluid Temperature	-20° to 80°C (-4° to 176°F)
Max. Sound Level	60 dBA	Max Static Pressure	4 bar (60 PSI)
Max Vacuum Dry	1M (3.3 ft)	Max Discharge Pressure (Intermittent)	6 bar (90 PSI)
Max Vacuum Wet	2M (6 ft)	Max Discharge Pressure (Continuous)	3 bar (45 PSI)



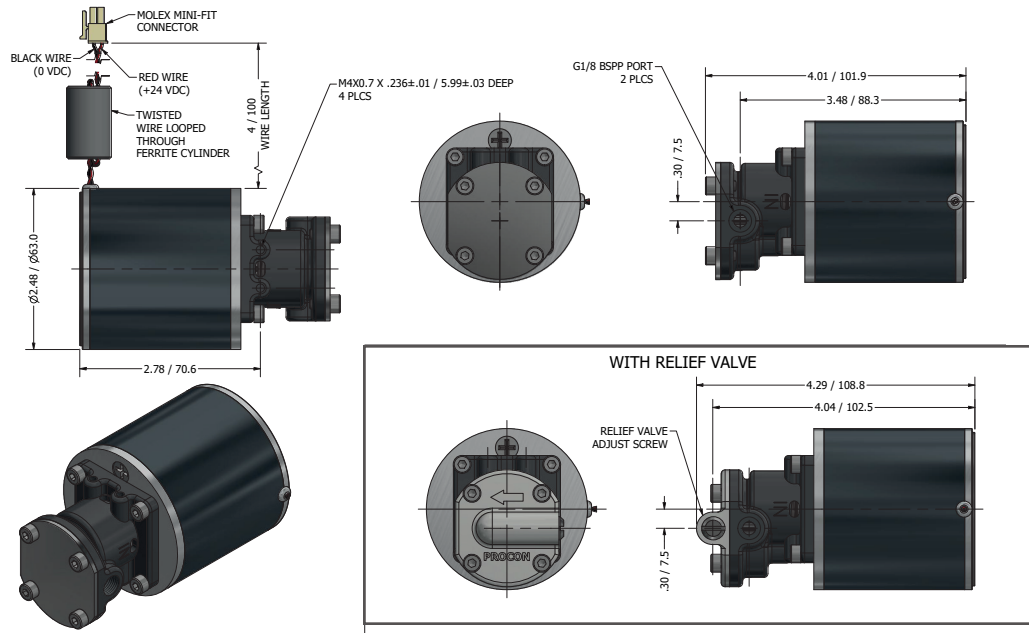
RoHS



NOTES:

- [1] Flow may vary with viscosity
- [2] Performance based on pump tested with water at room temperature

DIMENSION AND CONNECTION DETAILS



NOTE: Dimensions are in inches/millimeters