



Features and Benefits

- Self priming (water) and maintenance free with low vibration and pulsation characteristics
- Innovative mechanical seal design requires less sanitizing
- Positive Displacement Gear Pump with 24VDC brushed motor
- Self-priming and maintenance free with low vibration and pulsation characteristics
- Stainless steel housing works with acidity > 2 pH^[1]
- Available without an Internal Relief valve, with a set range of 1 to 4 Bar (14 to 60 PSI)

General Applications

- Milk Frothing
- Espresso/Coffee
- Syrup Dispensing
- Ink Dispensing
- Syrup Dispensing
- Detergent Dispensing
- Medical Application

Technical Information

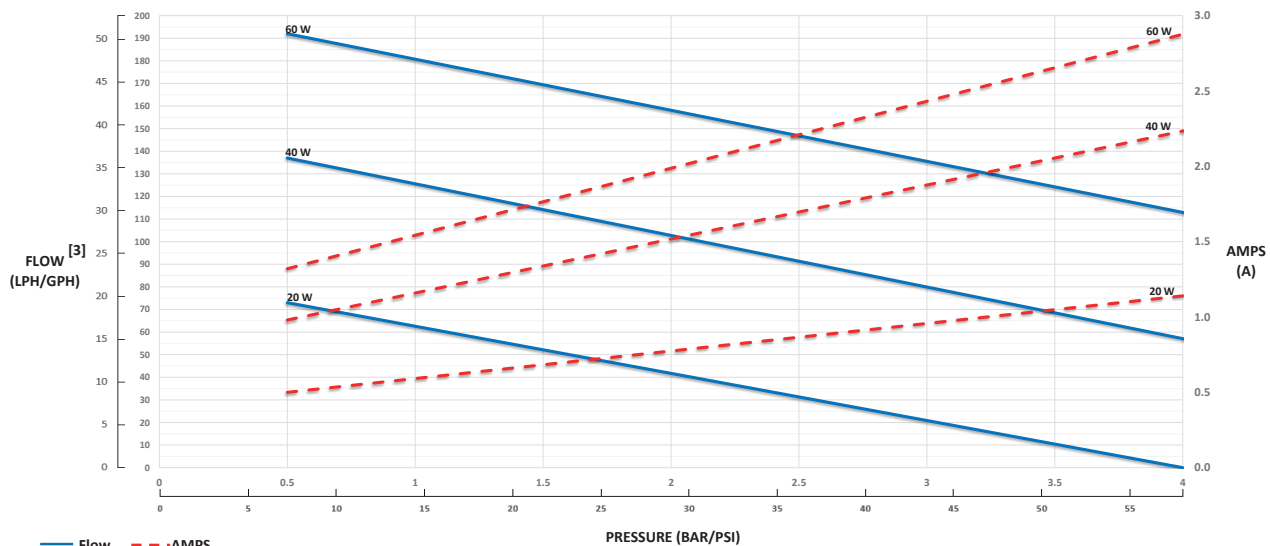
Housing and motor shaft	304 Stainless Steel	Valve Material	Teflon
Gears and Bushing	Carbon Fiber PEEK	Motor Type	24V Brushed DC
Seals	Carbon /Silicon Carbide	Motor IP Protection	IP 20 or IP 55
Elastomers	EPDM (FDA,NSF Approved), Fluorocarbon	Insulation Class	F
Ports	G 1/8"	Unit Weight	0.79 kg (1.74 lbs.)

Motor Information

	Max Output Power	Max Speed	Max. Input Current	IP Protection	Wire Connection	Relief Valve
5191FCT2GXXAAJ	20W	1,900 RPM	2.1 A	IP 20	B	NO
5191GCT2GXXAAJ	20W	1,900 RPM	2.1 A	IP 20	B	YES
5191FCT2GXXAAK	40W	3,400 RPM	3.0 A	IP 20	A	NO
5191GCT2GXXAAK	40W	3,400 RPM	3.0 A	IP 20	A	YES
5191FCT2GXXAAP	40W	3,400 RPM	3.0 A	IP 55	A	NO
5191GCT2GXXAAP	40W	3,400 RPM	3.0 A	IP 55	A	YES
51J1FCT2GXX	60W	4,000 RPM	4.1 A	IP 20	A	NO
51J1GCT2GXX	60W	4,000 RPM	4.1 A	IP 20	A	YES
5191FCT2GXXAAS	60W	4,000 RPM	4.1 A	IP 55	A	NO
5191GCT2GXXAAS	60W	4,000 RPM	4.1 A	IP 55	A	YES

Operating Range

Max. Fluid Viscosity ^[2]	20,000 Centipoise	Fluid Temperature	-20° to 80°C (-4° to 176°F)
Max. Sound Level	60 dBA	Max Static Pressure	4 bar (60 PSI)
Max Vacuum Dry	1M (3.3 ft)	Max Discharge Pressure (Intermittent)	6 bar (90 PSI)
Max Vacuum Wet	2M (6 ft)	Max Discharge Pressure (Continuous)	3 bar (45 PSI)



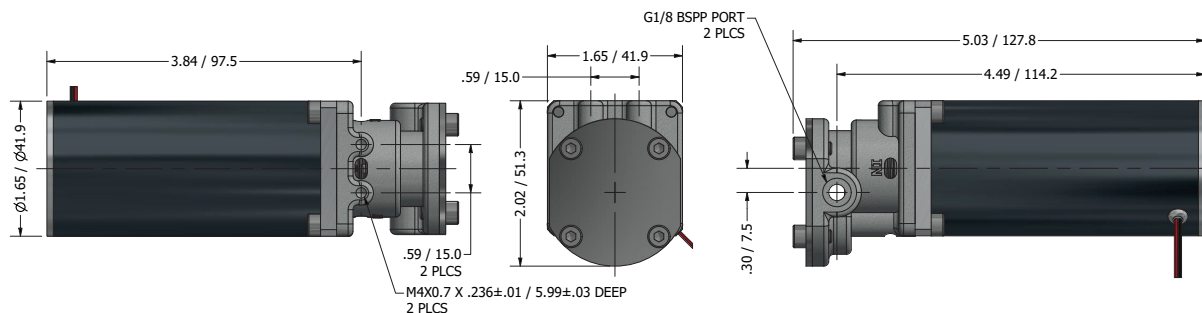
RoHS



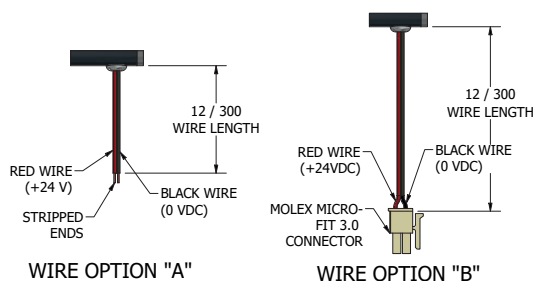
NOTES:

- [1] Consult with manufacturer for extreme operating conditions
 - [2] Flow may vary with viscosity
 - [3] Performance based on pump tested with water at room temperature
- For certificate of compliance or declarations please visit our website or email at productcompliance@proconpump.com

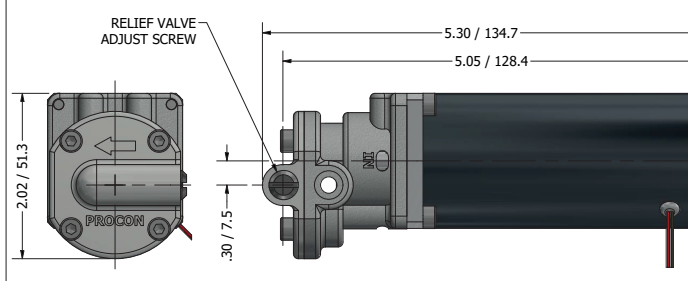
DIMENSION AND CONNECTION DETAILS



WIRE OPTION DETAILS



WITH RELIEF VALVE



NOTE: Dimensions are in inches/millimeters