



Features and Benefits

- Self priming (water) and maintenance free
- Consistent flow rate across variable pressures
- Compact unit with 24Vdc Brushed motors
- Flow range from 10 to 100 LPH (3 to 35 GPH)
- Patented twin cavity and cam ring technology
- Eight vanes for low vibration and pulsation
- Stainless steel housing works with acidity > 2 pH ^[1]

General Applications

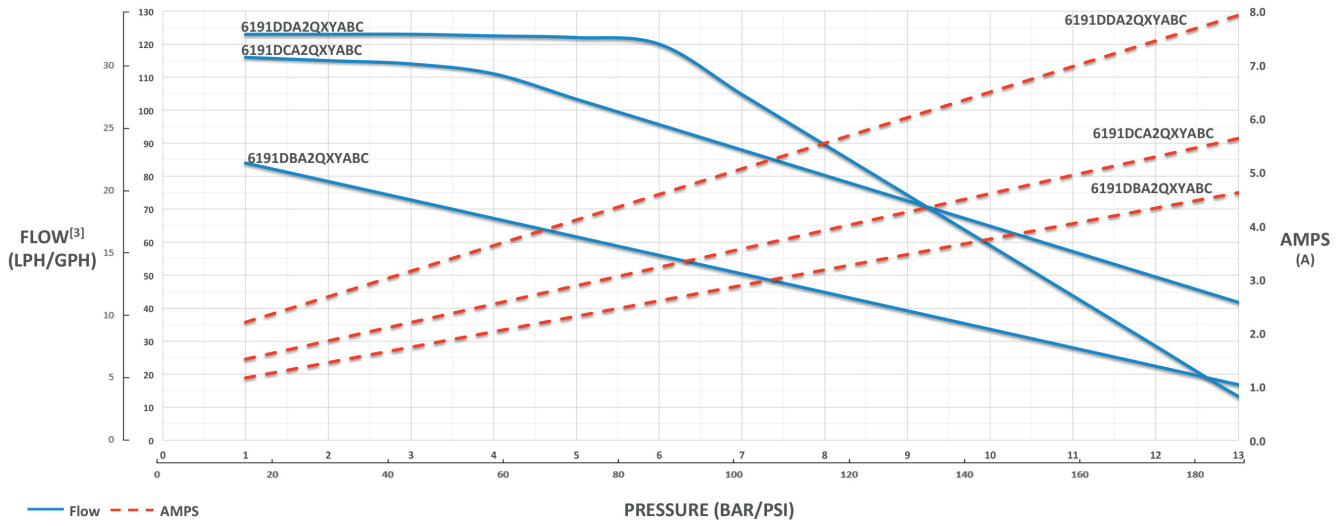
- Espresso/Coffee
- Beer Chillers
- Pesticide Systems
- Solar Applications
- Cooling Systems
- Medical Devices

Technical Information

Housing and motor shaft	304 Stainless Steel	Motor Type	24V Brushed DC
Gears and Bushing	Carbon Fiber PEEK	Max Speed	4000 RPM
Seals	Carbon / Silicon Carbide	Max Output Power	60W
Elastomers	Nitrile, EPDM (FDA,NSF Approved)	Max. Input Current	2.9A
Valves	Plastic (ultem & acetal)	Motor IP Protection	IP20
Ports	G 1/8"	Insulation Class	F
Unit Weight	1.1 kg (2.5 lbs.)		

Operating Range

Max. Fluid Viscosity ^[2]	100 Centipoise	Fluid Temperature	-20° to 90°C (-4° to 194°F)
Max Vacuum Dry	1 M (3.3 ft)	Max Static Pressure	7 bar (100PSI)
Max Vacuum Wet	2 M (6 ft)	Max Discharge Pressure (Intermittent)	12.5 bar (180 PSI)



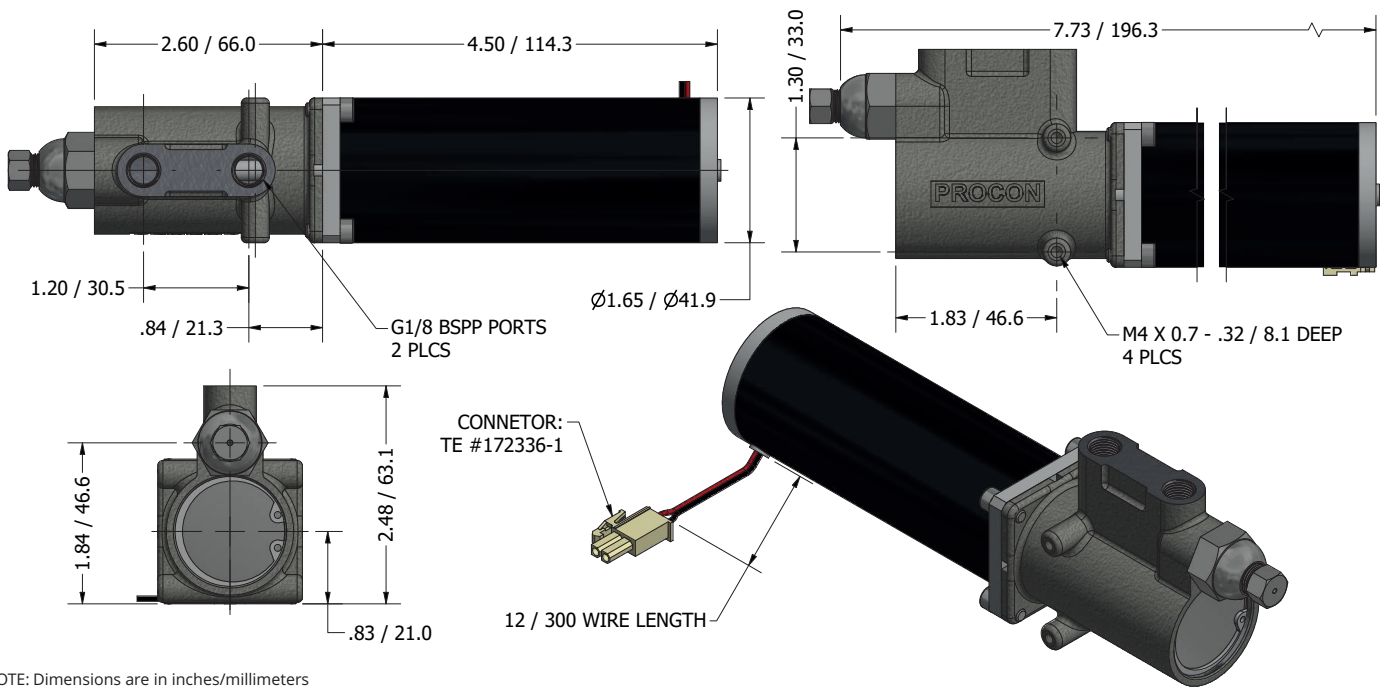
RoHS



NOTES:

- [1] Consult with manufacturer for extreme operating conditions
- [2] Flow may vary with viscosity
- [3] Performance based on pump tested with water at room temperature

DIMENSION AND CONNECTION DETAILS



NOTE: Dimensions are in inches/millimeters