



Features and Benefits

- Consistent flow rate across variable pressures
- Magnetically coupled drive for leak free design
- Flow range from 80 to 125 GPH (240 to 375 LPH)*
- Horsepower required 0.12 to 0.17 hp (60 to 125 watts)
- Self priming (water) and maintenance free with low vibration and pulsation characteristics
- Stainless steel housing works with acidity > 2 pH [1]
- High temperature relief valve configuration
- Clockwise rotation available

*GPH rating at 1600 RPM/60 Hz and LPH rating at 1300 RPM/50 Hz

General Applications

- Carbonation
- Espresso/Coffee
- Welding
- Cold Carb Circulation
- Reverse Osmosis
- Beer Chillers
- Pesticide Systems
- Solar Applications
- Cooling Systems

Technical Information

Pump housing and motor shaft	304 Stainless Steel	Motor Type	PSC (Open)
Sealless (optional)	PPS encapsulated neodymium or ceramic magnet paired with neodymium or ceramic outer magnet	Frequency/Voltage	60/50 Hz, 115/230 V
Elastomers	Nitrile, Ethylene Propylene (EPDM), Fluorocarbon, or Neoprene	Max Output Power	125 W
Vane Material	Carbon or PEEK	Max. Input Current	4 A
Ports	NPT 3/8"	Protection	Thermally Protected
Unit Weight	10.1 lbs. (4.6 kg)	Insulation Class	F

Operating Range

Max Static Pressure	100 PSI (7 bar)	Max Discharge Pressure	100 PSI (7 bar)
Fluid Temperature	-4° to 194°F (-20° to 90°C)	Speed	1300/1600 RPM
Max. Fluid Viscosity [2]	100 cP	Wet Lift with Water	6 ft (2 M)
Max. Sound Level	55 dBA		

215MM Mag Drive Nominal Volume				
Flow rate (GPH/ LPH)	Gallons Per Hour/Liters Per Hour		Brake Horsepower/Watts (motor shaft power)	
	Pressure (PSI/Bar)		Pressure (PSI/Bar)	
	50/3.4	100/6.9	50/3.4	100/6.9
125/375	128/400	--	0.16/119	--
100/300	102/319	--	0.13/97	--
80/240	82/257	80/256	0.12/89	0.18/134



RoHS



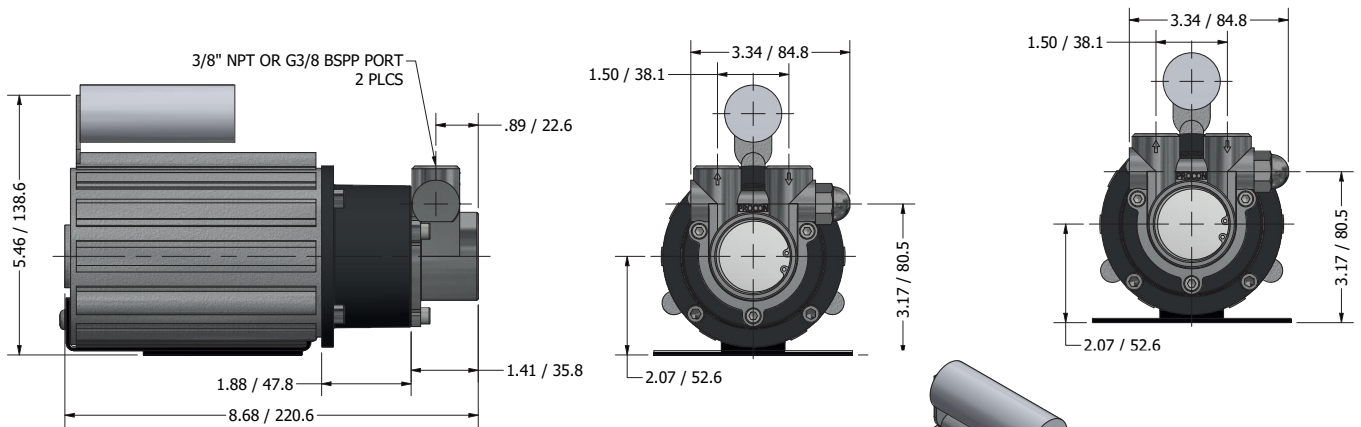
WRAS



NOTES:

- [1] Consult with manufacturer for extreme operating conditions
- [2] Flow may vary with viscosity
- [3] Performance based on pump tested with water at room temperature

PUMP DIMENSIONS



NOTE:

- All dimensions are in inches/millimeters

