



**Features and Benefits**

- Consistent flow rate across variable pressures
- Flow range from 15 to 60 GPH (45 to 180 LPH)\*
- Horsepower required 0.06 to 0.35 hp (45 to 261 Watt)
- Self priming (water) and maintenance free with low vibration and pulsation characteristics
- Stainless steel housing works with acidity > 2 pH
- Internal Relief valve configuration
- Compact size with the same High performance as a standard rotary vane pump

**General Applications**

- Carbonation
- Espresso/Coffee
- Welding
- Cold Carb Circulation
- Reverse Osmosis
- Beer Chillers
- Pesticide Systems
- Solar Applications
- Cooling Systems

\* GPH rating at 1725 RPM/60Hz and LPH rating at 1450 RPM/50Hz

**Technical Information**

Pump Housing Material	304 Stainless Steel		
Seals	Carbon / Ceramic		
Elastomers	Nitrile, Ethylene Propylene (EPDM)		
Valves	Stainless steel or Plastic (high temp ultem, low temp acetal)		
Drive configurations	Double flat or Slotted with bronze or Plastic Couplings		
Vanes	Carbon or PEEK	Mounting Options	Clamp-on
Ports	G 3/8"	Unit Weight	Approx. 1.6lbs. (0.7kg)

**Operating Range**

Max Static Pressure	100 PSI (7 BAR)	Max Discharge Pressure	250 PSI (17 BAR)
Fluid Temperature	-4° to 194°F (-20° to 90°C)	Speed	1000 to 2400 RPM
Viscosity	100 cP	Wet Lift with Water	6 ft (2M)

207 Nominal Volume										
Flow rate (GPH/ LPH)	Gallons Per Hour/Liters Per Hour					Brake Horsepower/Watts (motor shaft power)				
	Pressure (PSI/Bar)					Pressure (PSI/Bar)				
	50/3.4	100/6.9	150/10.3	200/13.8	250/17.5	50/3.4	100/6.9	150/10.3	200/13.8	250/17.5
60/180	62/194	60/188	58/181	56/175	54/169	0.10/75	0.16/119	0.23/171	0.29/216	0.35/261
50/150	52/163	50/157	48/150	46/144	44/138	0.09/67	0.15/112	0.21/157	0.27/201	0.33/246
35/100	37/116	35/110	33/103	31/97	29/91	0.08/51	0.14/104	0.19/142	0.24/179	0.29/216
25/75	27/85	25/78	23/72	21/66	19/59	0.07/52	0.12/89	0.17/127	0.22/164	0.27/201
15/45	17/53	15/47	13/41	11/34	--	0.06/45	0.10/75	0.15/112	0.19/142	--



**RoHS**

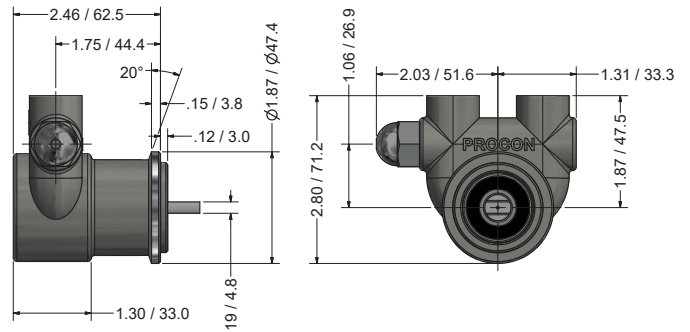
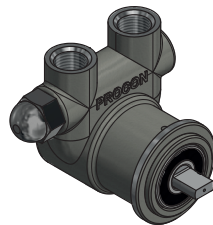
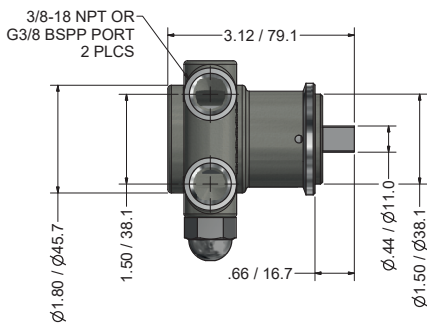


**WRAS**



- <sup>1</sup> Consult with manufacturer for extreme operating conditions
- <sup>2</sup> Consult with manufacturer for information on other applications
- <sup>3</sup> GPH rating at 1725 RPM/60Hz and LPH rating at 1450 RPM/50Hz
- <sup>4</sup> For certificate of compliance or declarations please visit our website or email at [productcompliance@proconpump.com](mailto:productcompliance@proconpump.com)

**ROTARY VANE PUMP DIMENSIONS**



- NOTE:
- All dimensions are in inches/millimeters
  - Bronze and plastic coupling available