



Features and Benefits

- Consistent flow rate across variable pressures
- Flow range from 115 to 330 GPH (350 to 1000 LPH)*
- Horsepower required 0.15 to 1.22 hp (112 to 909 Watt)
- Self priming (water) and maintenance free with low vibration and pulsation characteristics
- Works with fluid with viscosity up to 100 centipoise (cP), temperature between -4°F to 194°F (-20°C to 90°C)¹
- Brass housing works with TDS max 5,000
- Stainless steel housing works with acidity > 2 pH and brass housing works with acidity > 6 pH¹
- Clockwise and counter clockwise rotation available
- Internal Relief valve configuration (also available without relief valve)
- Series 4 available in long Neck clamp-on for special applicatio

General Applications

- Circulation
- Reverse Osmosis
- Booster Pumps
- Solar Applications
- Hydraulic Systems
- Desalination
- Cooling Systems

* GPH rating at 1725 RPM/60Hz and LPH rating at 1450 RPM/50Hz

Technical Information

Pump Housing Material	Series 4 Brass (1.5%), Series 5 - 304 Stainless Steel		
Seals	Carbon /Ceramic, or Carbon /Silicon Carbide (balanced and non-balanced)		
Elastomer	Nitrile, EPDM, Fluorocarbon, Neoprene		
Valves	Stainless steel, Brass, or Plastic (high temp ultem, low temp acetal)		
Drive configuration	Single flat, Double flat or Slotted with bronze or Plastic Couplings		
Vanes	Carbon	Mounting Options	Clamp-on or Bolt-on
Ports	G 1/2" OR NPT 1/2"	Unit Weight	Approx. 4.5 lbs. (2 kg)

Operating Range

Max Static Pressure	100 PSI (7 BAR)	Max Discharge Pressure	250 PSI (17 BAR)
Fluid Temperature	-4° to 194°F (-20° to 90°C)	Speed	1000 to 2400 RPM
Viscosity	100 cP	Wet Lift with Water	6 ft (2M)

Series 4 and 5 Nominal Volume										
Flow rate (GPH/ LPH)	Gallons Per Hour/Liters Per Hour					Brake Horsepower/Watts (motor shaft power)				
	Pressure (PSI/Bar)					Pressure (PSI/Bar)				
	50/3.4	100/6.9	150/10.3	200/13.8	250/17.5	50/3.4	100/6.9	150/10.3	200/13.8	250/17.5
330/1,000	331/1,034	330/1,031	328/1,025	327/1,022	326/1,019	0.33/246	0.55/410	0.78/581	1.00/745	1.22/909
265/800	265/828	263/822	261/816	259/809	257/803	0.24/179	0.43/320	0.63/469	0.82/611	1.01/753
240/725	243/759	240/750	236/738	232/725	228/713	0.21/157	0.37/276	0.54/402	0.70/522	0.86/641
215/650	218/681	215/672	211/659	207/647	203/634	0.20/149	0.35/261	0.50/3723	0.65/484	0.80/596
190/575	193/603	190/594	189/591	182/569	178/556	0.18/134	0.33/246	0.47/351	0.61/455	0.75/559
165/500	168/525	165/516	161/503	157/491	153/478	0.17/127	0.30/224	0.43/320	0.57/425	0.70/522
140/425	143/447	140/438	136/425	132/413	128/400	0.16/119	0.28/209	0.40/298	0.52/387	0.64/477
115/350	116/363	115/359	111/347	107/334	103/322	0.15/112	0.25/186	0.35/261	0.45/335	0.55/410



RoHS



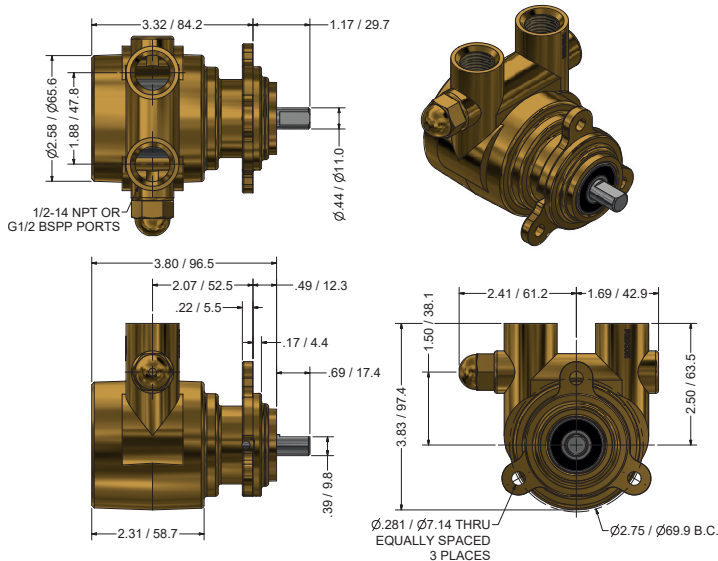
WRAS



- ¹ Consult with manufacturer for extreme operating conditions
- ² Consult with manufacturer for information on other applications
- ³ For certificate of compliance or declarations please visit our website or email at productcompliance@proconpump.com
- * GPH rating at 1725 RPM/60Hz and LPH rating at 1450 RPM/50Hz

ROTARY VANE BOLT-ON STYLE

Rotary Vane Series 4 Bolt-On Style



- NOTE:
- Dimensions are in inches/millimeters
 - Clamp-on and Bolt-on versions available in both series 4 and series 5
 - Bronze and plastic coupling available for clamp-on

Rotary Vane Series 5 Clamp-On Style

