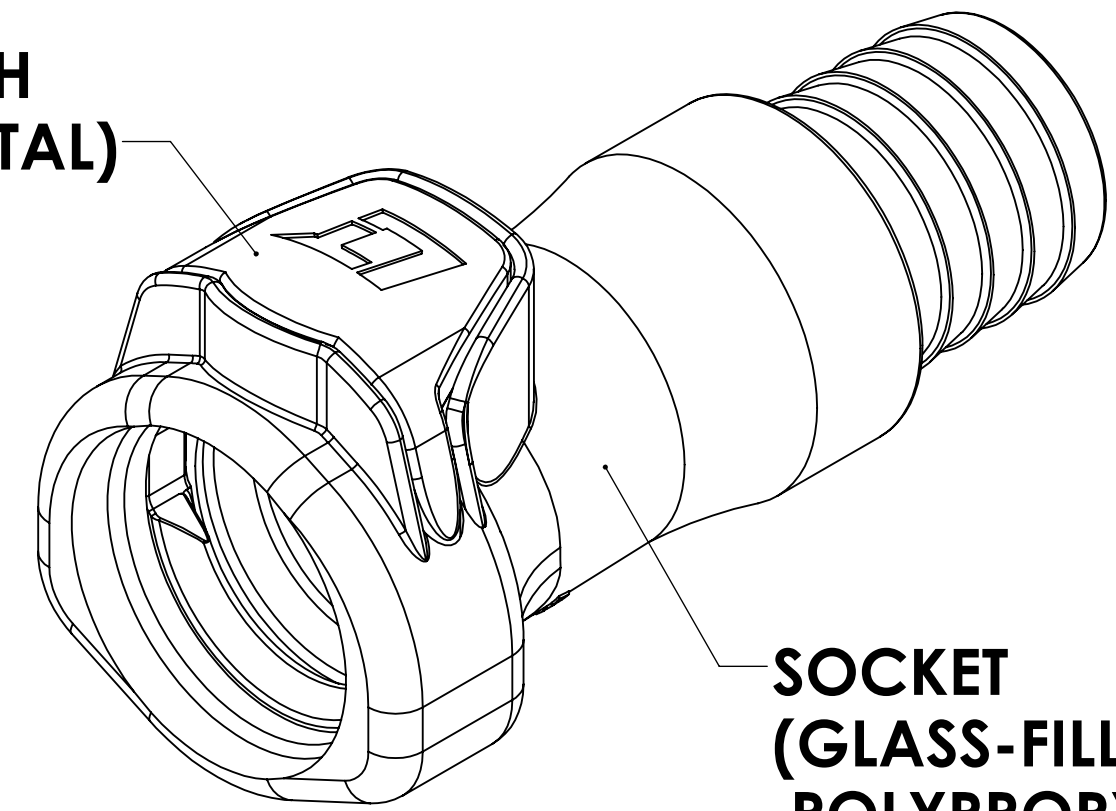
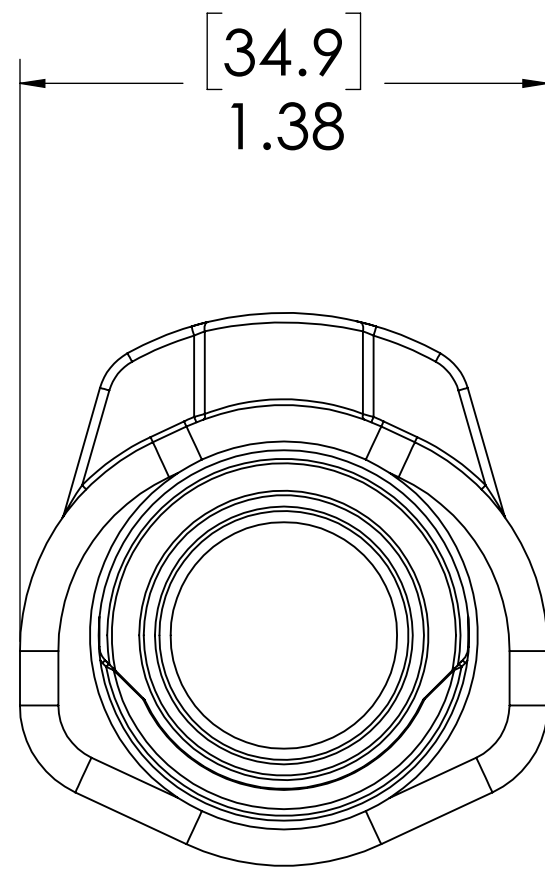


REVISIONS						
SHEET	ZONE	REV.	ECO	DESCRIPTION	DATE	APPROVED
1	ALL	A	50253	2017 FORMAT UPDATE	6/4/2018	HRC

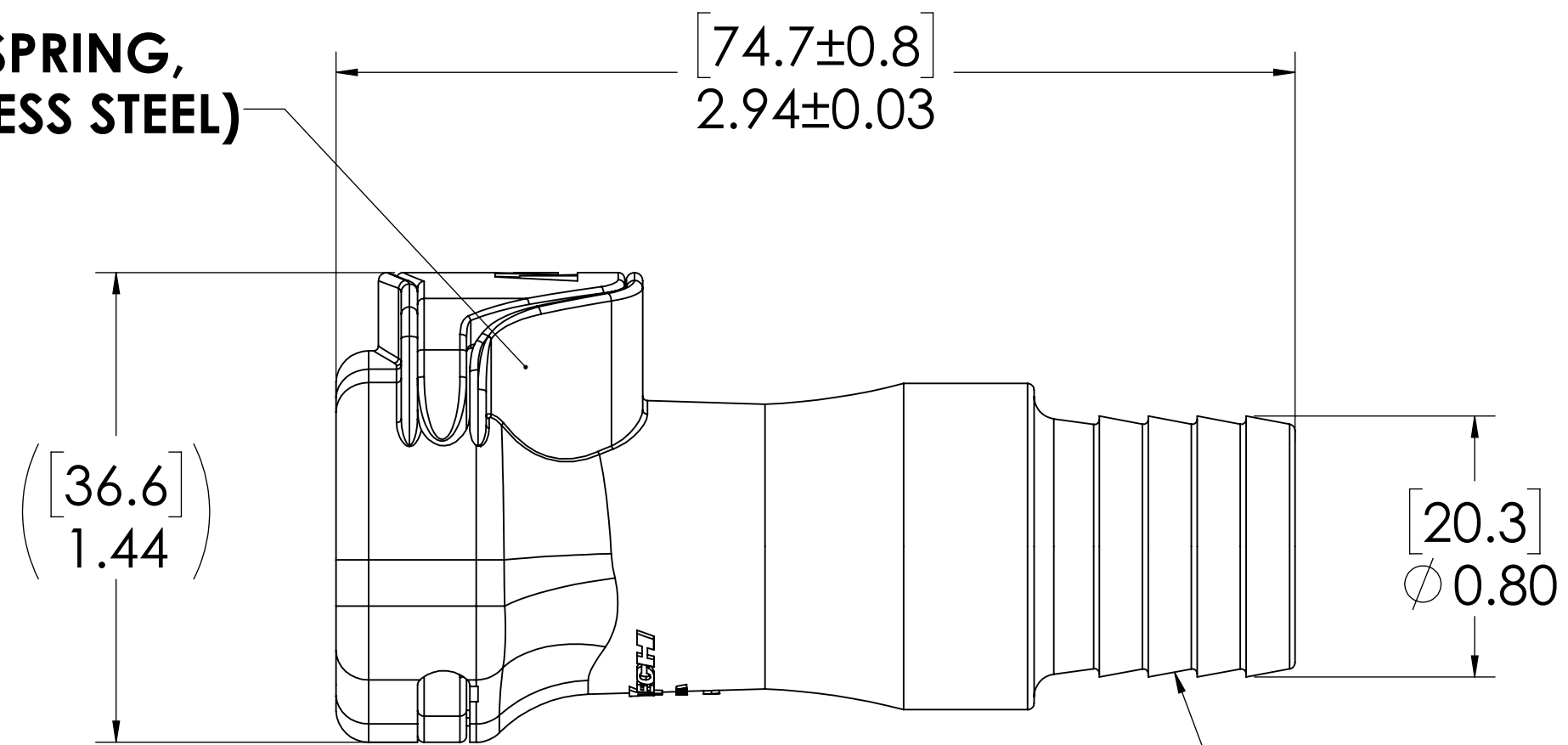
**LATCH  
(ACETAL)**



**SOCKET  
(GLASS-FILLED  
POLYPROPYLENE)**



**LATCH SPRING,  
(STAINLESS STEEL)**




**3/4" TUBE ID**

**NOTES:**

- MATERIAL: GLASS-FILLED POLYPROPYLENE
- COLOR: WHITE

**FOR REFERENCE ONLY**

<small>UNLESS OTHERWISE SPECIFIED: DIMENSIONS ARE IN INCHES TOLERANCES: FRACTIONAL ± 1/32 ANGULAR: MACH ± 0.5 BEND ± 2 ONE PLACE DECIMAL ± 0.1 TWO PLACE DECIMAL ± 0.01 THREE PLACE DECIMAL ± 0.005 TWO PLACE DUAL (mm) [±0.12]</small>	<small>DRAWN</small> LMP 5/2/2018		
	<small>CHECKED</small> HRC 6/4/2018		<small>PART NO.:</small> <b>65GP-S2-12</b>
<small>PROPRIETARY AND CONFIDENTIAL THE INFORMATION CONTAINED IN THIS DRAWING IS THE SOLE PROPERTY OF LINKTECH LLC. ANY REPRODUCTION OR DISCLOSURE IN PART OR AS A WHOLE WITHOUT THE WRITTEN PERMISSION OF LINKTECH LLC IS STRICTLY PROHIBITED.</small>	<small>ENG APPR.</small> HRC 6/4/2018	<small>DESCRIPTION:</small> <b>LinkTech 65GP Series Inline Socket, Non-Valved, 3/4" HB, Glass-Filled Polypropylene</b>	
	<small>MFG APPR.</small> BDB 6/4/2018		<small>SIZE</small> <b>C</b>
	<small>Q.A.</small> JJB 6/4/2018		<small>DWG. NO.</small> <b>65GP600022</b>
<small>COMMENTS:</small>	<small>REV</small> <b>A</b>	<small>SCALE: NTS</small>	
	<small>WEIGHT:</small>	<small>SHEET 1 OF 1</small>	