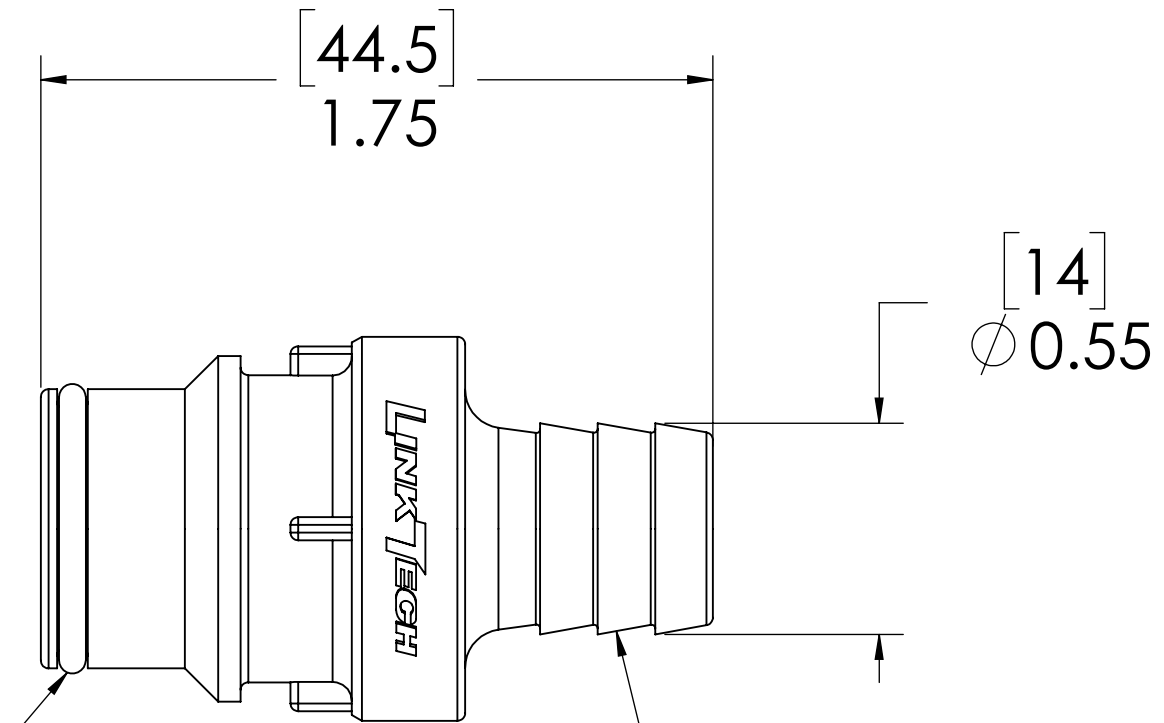
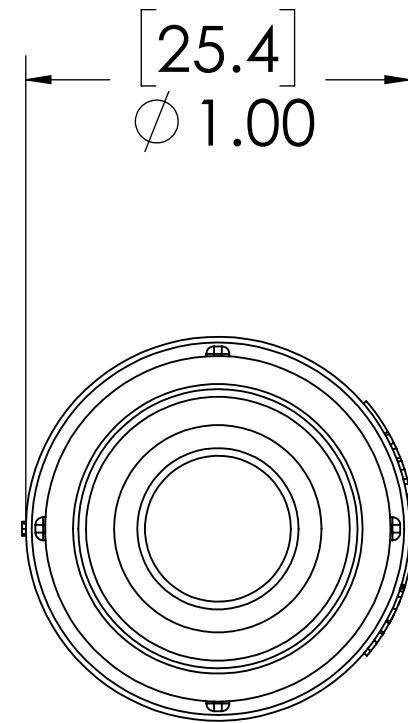
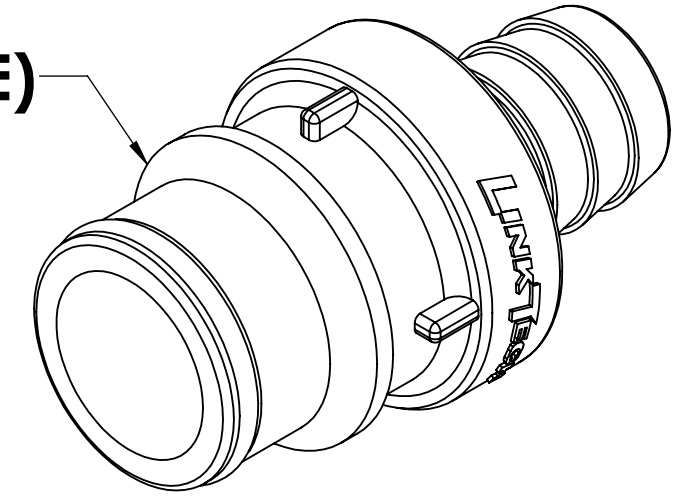


REVISIONS						
SHEET	ZONE	REV.	ECO	DESCRIPTION	DATE	APPROVED
1	ALL	A	50253	FROMAT UPDATE	2/6/2018	HRC

**PLUG,
(GLASS FILLED
POLYPROPYLENE)**



**O-RING,
(EPDM)**

1/2" TUBE ID

NOTES:

1. MATERIAL: GLASS FILLED POLYPROPYLENE
2. COLOR: WHITE
3. O-RING MATERIAL: EPDM, NSF61
4. O-RINGS LUBRICATED WITH FOOD GRADE SILICONE OIL, 350 CST.

FOR REFERENCE ONLY

<small>UNLESS OTHERWISE SPECIFIED: DIMENSIONS ARE IN INCHES TOLERANCES: FRACTIONAL ± 1/32 ANGULAR: MACH ± 0.5 BEND ± 2 ONE PLACE DECIMAL ± 0.1 TWO PLACE DECIMAL ± 0.01 THREE PLACE DECIMAL ± 0.005 TWO PLACE DUAL (mm) [± 0.12]</small>	DRAWN	RDA	8/7/2017	
	CHECKED	HRC	8/7/2017	
	ENG APPR.	HRC	02-06-18	
	MFG APPR.	BDB	02-06-18	
PRODUCTION	RK	02-06-18		PART NO: 65GP-PF2-08 DESCRIPTION: LinkTech 65GP Series Straight Male, Non-valved, 500 HB, Glass Filled Polypropylene
<small>PROPRIETARY AND CONFIDENTIAL THE INFORMATION CONTAINED IN THIS DRAWING IS THE SOLE PROPERTY OF LINKTECH LLC. ANY REPRODUCTION OR DISCLOSURE IN PART OR AS A WHOLE WITHOUT THE WRITTEN PERMISSION OF LINKTECH LLC IS STRICTLY PROHIBITED.</small>	COMMENTS:			SIZE DWG. NO. REV C 65GP600020 A
SCALE: NTS		WEIGHT:	SHEET 1 OF 1	