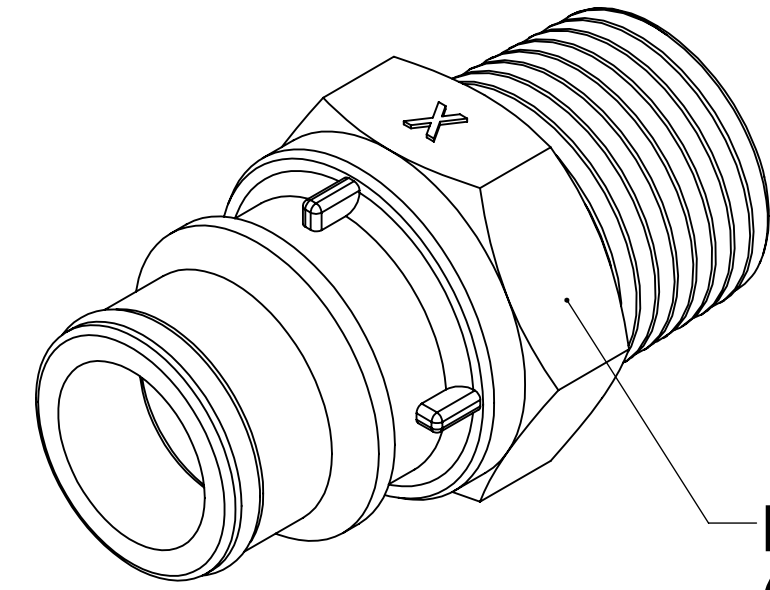
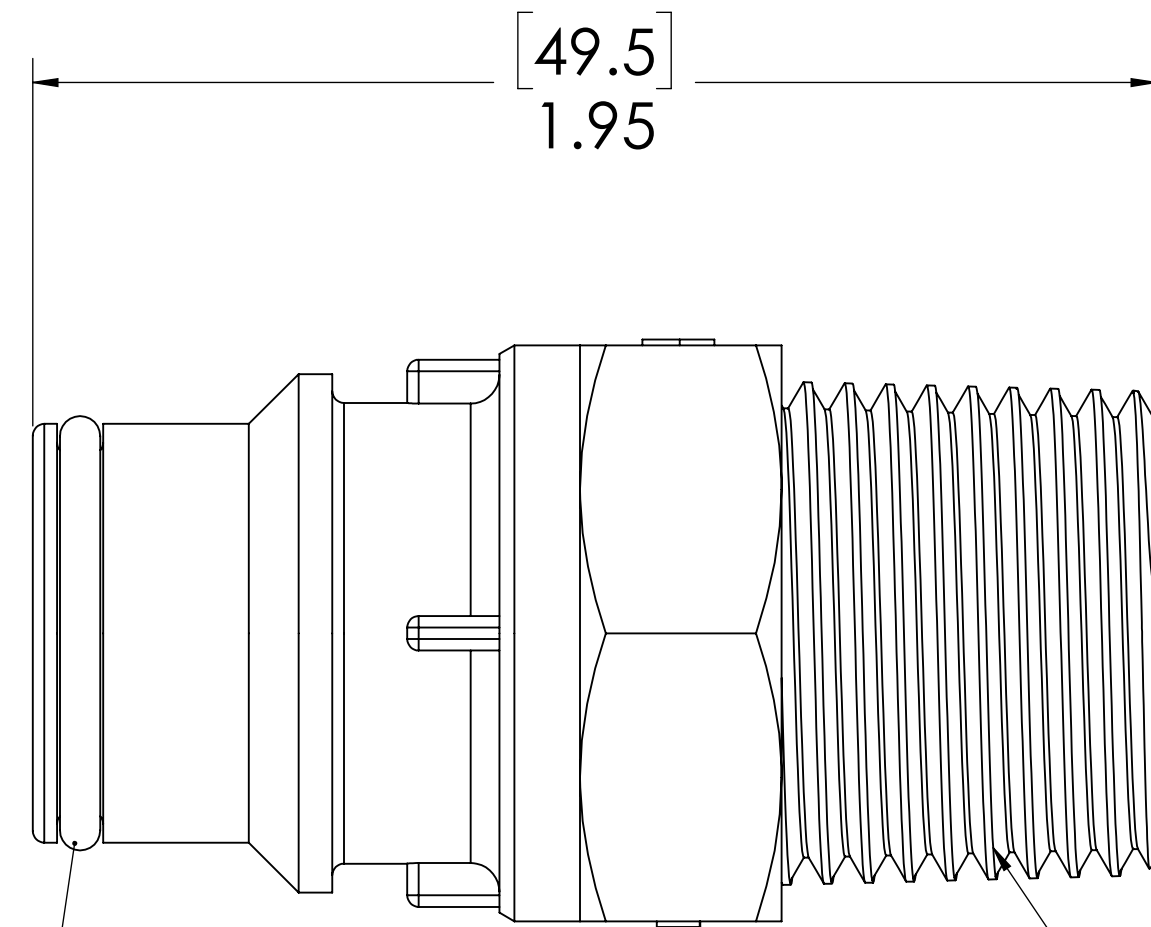
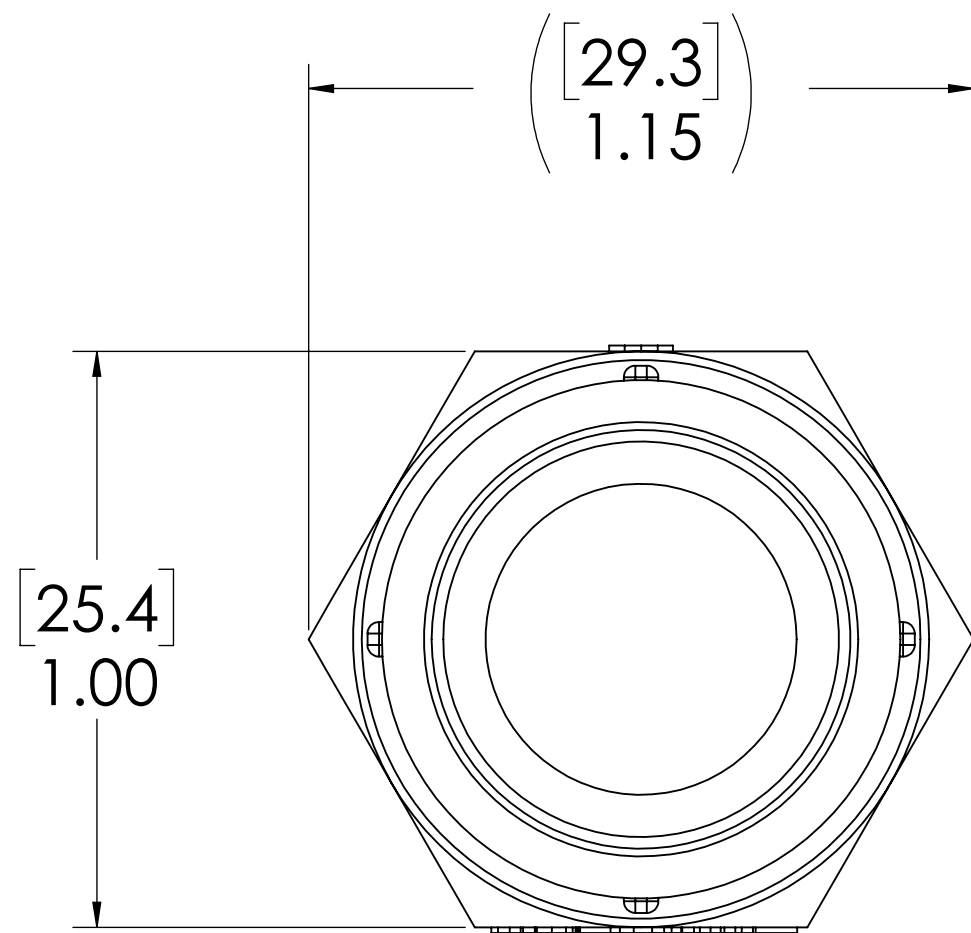


REVISIONS						
SHEET	ZONE	REV.	ECO	DESCRIPTION	DATE	APPROVED
1	ALL	A	50253	UPDATE DWGS TO CURRENT FORMAT & STANDARDS	6/4/2018	



**PLUG
(GLASS-FILLED
POLYPROPYLENE)**




**O-RING
(EPDM, NSF61)**

1/2" NPT THREAD

NOTES:

- MATERIAL: GLASS-FILLED POLYPROPYLENE
- COLOR: WHITE
- O-RING MATERIAL: EPDM, NSF61
- O-RINGS LUBRICATED WITH FOOD GRADE SILICONE OIL, 350 CST.

FOR REFERENCE ONLY

<small>UNLESS OTHERWISE SPECIFIED: DIMENSIONS ARE IN INCHES TOLERANCES: FRACTIONAL ± 1/32 ANGULAR: MACH ± 0.5 BEND ± 2 ONE PLACE DECIMAL ± 0.1 TWO PLACE DECIMAL ± 0.01 THREE PLACE DECIMAL ± 0.005 TWO PLACE DUAL (mm) [± 0.12]</small>	DRAWN	LMP	5/2/2018	 PART NO: 65GP-PF1-08 DESCRIPTION: LinkTech 65GP Series Male Thread Plug, Non-Valved, 1/2" NPT, Glass Filled Polypropylene
	CHECKED	HRC	6/4/2018	
	ENG APPR.	HRC	6/4/2018	
	MFG APPR.	BDB	6/4/2018	
<small>PROPRIETARY AND CONFIDENTIAL THE INFORMATION CONTAINED IN THIS DRAWING IS THE SOLE PROPERTY OF LINKTECH LLC. ANY REPRODUCTION OR DISCLOSURE IN PART OR AS A WHOLE WITHOUT THE WRITTEN PERMISSION OF LINKTECH LLC IS STRICTLY PROHIBITED.</small>	Q.A.	JJB	6/4/2018	SIZE DWG. NO. REV C 65GP600021 A
SCALE: NTS WEIGHT: SHEET 1 OF 1				