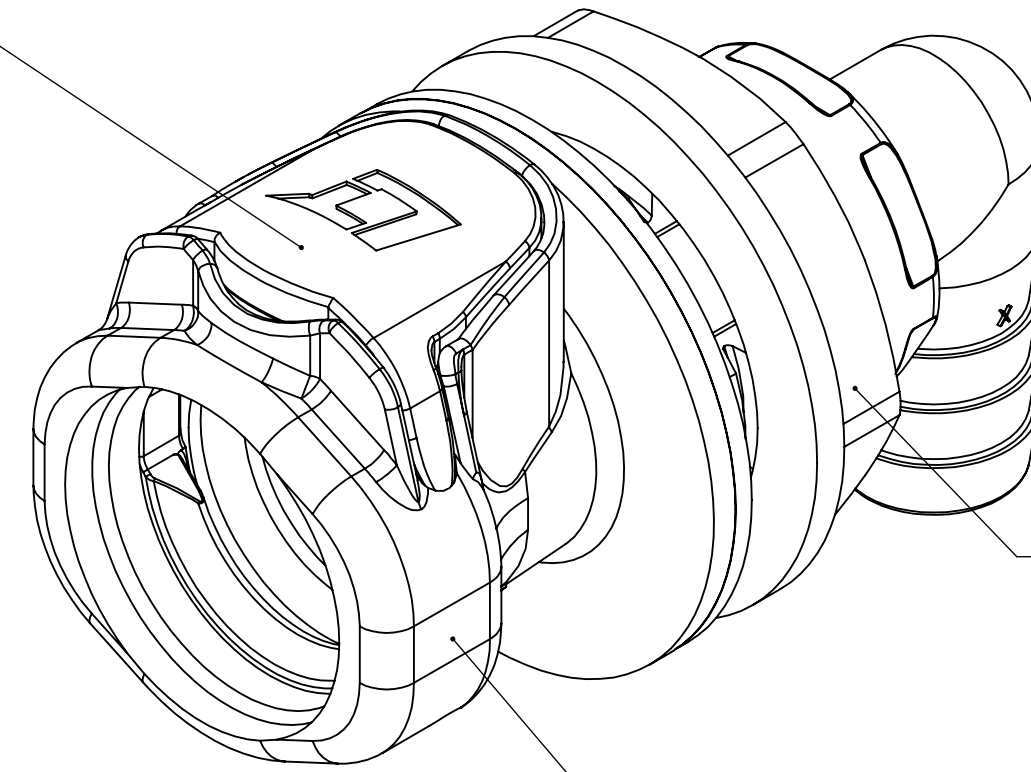


REVISIONS						
SHEET	ZONE	REV.	ECO	DESCRIPTION	DATE	APPROVED
ALL	ALL	NC	50108	INITIAL RELEASE	9/9/2014	HRC
ALL	ALL	A	50311	UPDATE DWG FORMAT TO STANDARDS	1/17/2020	CKE

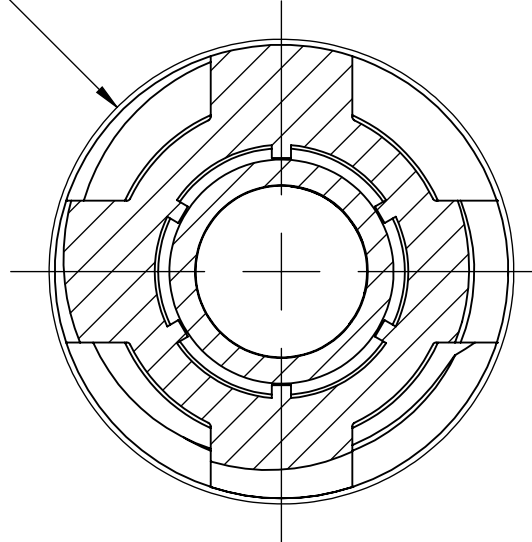
LATCH,
(POLYSULFONE)



PANEL NUT,
(POLYSULFONE)

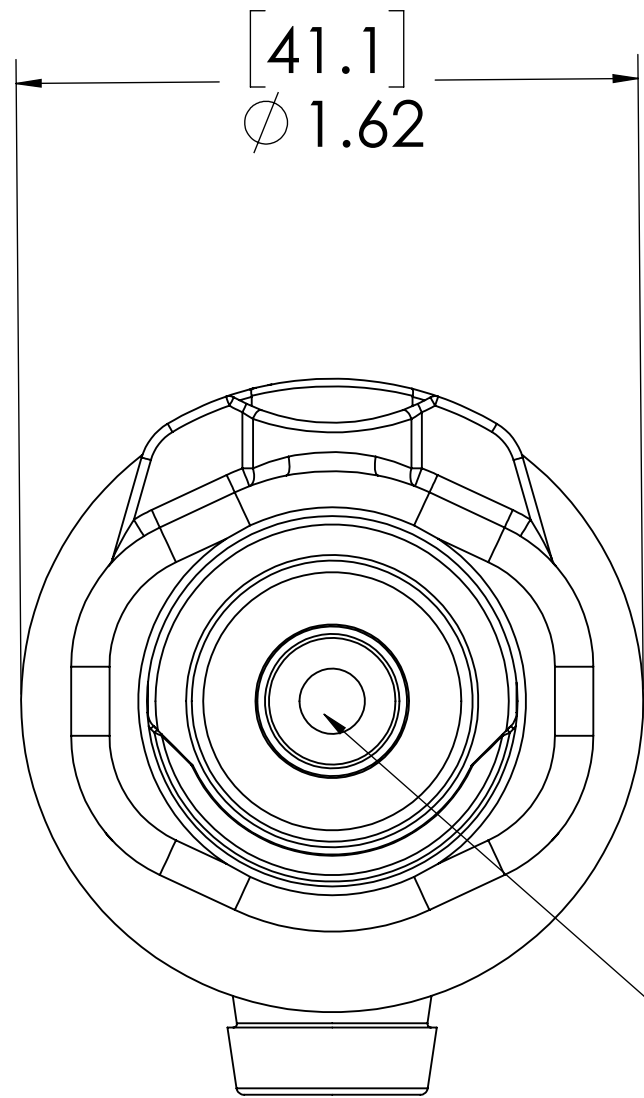
SOCKET,
(POLYSULFONE)

$[30.7^{+0.3}_0]$
 $\phi 1.21^{+0.01}_{-0.00}$



PANEL OPENING
(SECTION A-A)

$[41.1]$
 $\phi 1.62$



VALVE,
(POLYSULFONE)

LATCH SPRING,
INTERNAL
(STAINLESS STEEL)

$[75.4 \pm 0.8]$
 2.97 ± 0.03

VALVE SPRING,
INTERNAL
(STAINLESS STEEL)

$[36.6]$
 1.44

VALVE O-RING,
INTERNAL
(EPDM)

$[1.5]$
 0.06
GASKET,
(EPDM)

$[13.8]$
 $\phi 0.55$

$[47.4 \pm 0.5]$
 1.87 ± 0.02

1/2" TUBE ID

FOR REFERENCE ONLY

NOTES:

- MATERIAL: POLYSULFONE
- COLOR: WHITE
- O-RING MATERIAL: PEROXIDE CURED EPDM
- O-RINGS LUBRICATED WITH FOOD GRADE SILICONE OIL, 350 CST.

UNLESS OTHERWISE SPECIFIED:				NAME		DATE
DIMENSIONS ARE IN INCHES				DRAWN	HRC	8/21/14
TOLERANCES:				CHECKED	HRC	8/21/14
FRACTIONAL $\pm 1/32$				ENG APPR.	HRC	1/17/20
ANGULAR: MACH ± 0.5				MFG APPR.	BDB	1/17/20
ONE PLACE DECIMAL ± 0.1				PRODUCTION	LS	1/17/20
TWO PLACE DECIMAL ± 0.01				COMMENTS:		
THREE PLACE DECIMAL ± 0.005				THE INFORMATION CONTAINED IN THIS DRAWING IS THE SOLE PROPERTY OF LINKTECH LLC. ANY REPRODUCTION OR DISCLOSURE IN PART OR AS A WHOLE WITHOUT THE WRITTEN PERMISSION OF LINKTECH LLC IS STRICTLY PROHIBITED.		
TWO PLACE DUAL (mm) $[\pm 0.12]$				LINKTECH		
PROPRIETARY AND CONFIDENTIAL				PART NO: 60PSV-SE22-08		
DESCRIPTION:				LinkTech 60PS Series Panel Mt. Female, Valved, 500 HB Elbow, Polysulfone		
SIZE	DWG. NO.	REV				
C	60PS600092	A				
SCALE: NTS	WEIGHT:	SHEET 1 OF 1				