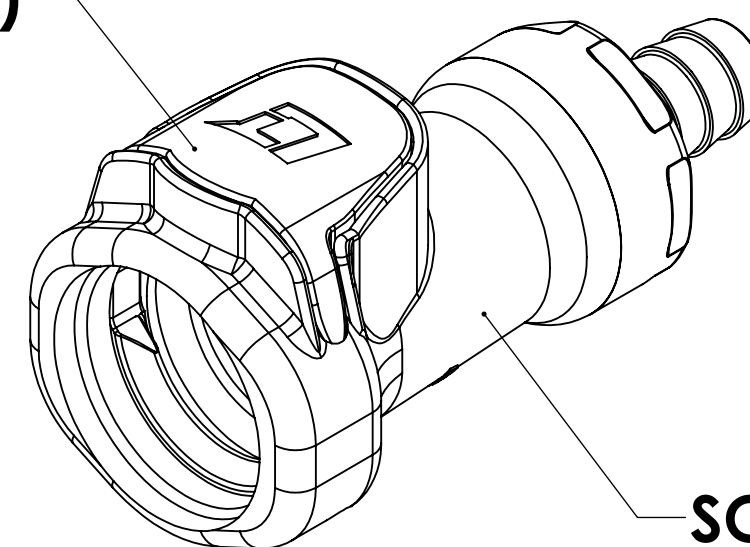
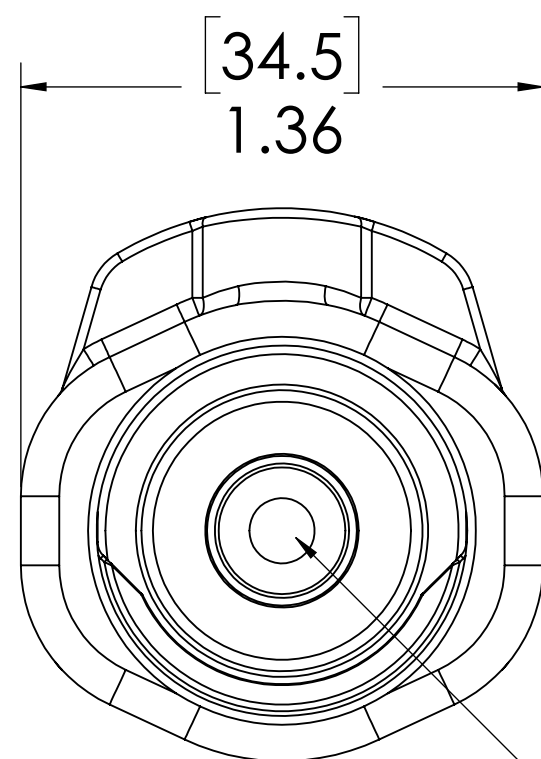


REVISIONS						
SHEET	ZONE	REV.	ECO	DESCRIPTION	DATE	APPROVED
1	D-6	A	.....	UPDATED LATCH SPRING	8/20/2014	HRC
1	ALL	A	50108	INITIAL RELEASE	9/9/2014	HRC
1	ALL	B	50311	UPDATE DWG TO CURRENT FORMAT & STANDARDS	1/17/2020	CKE

**LATCH  
(POLYSULFONE)**

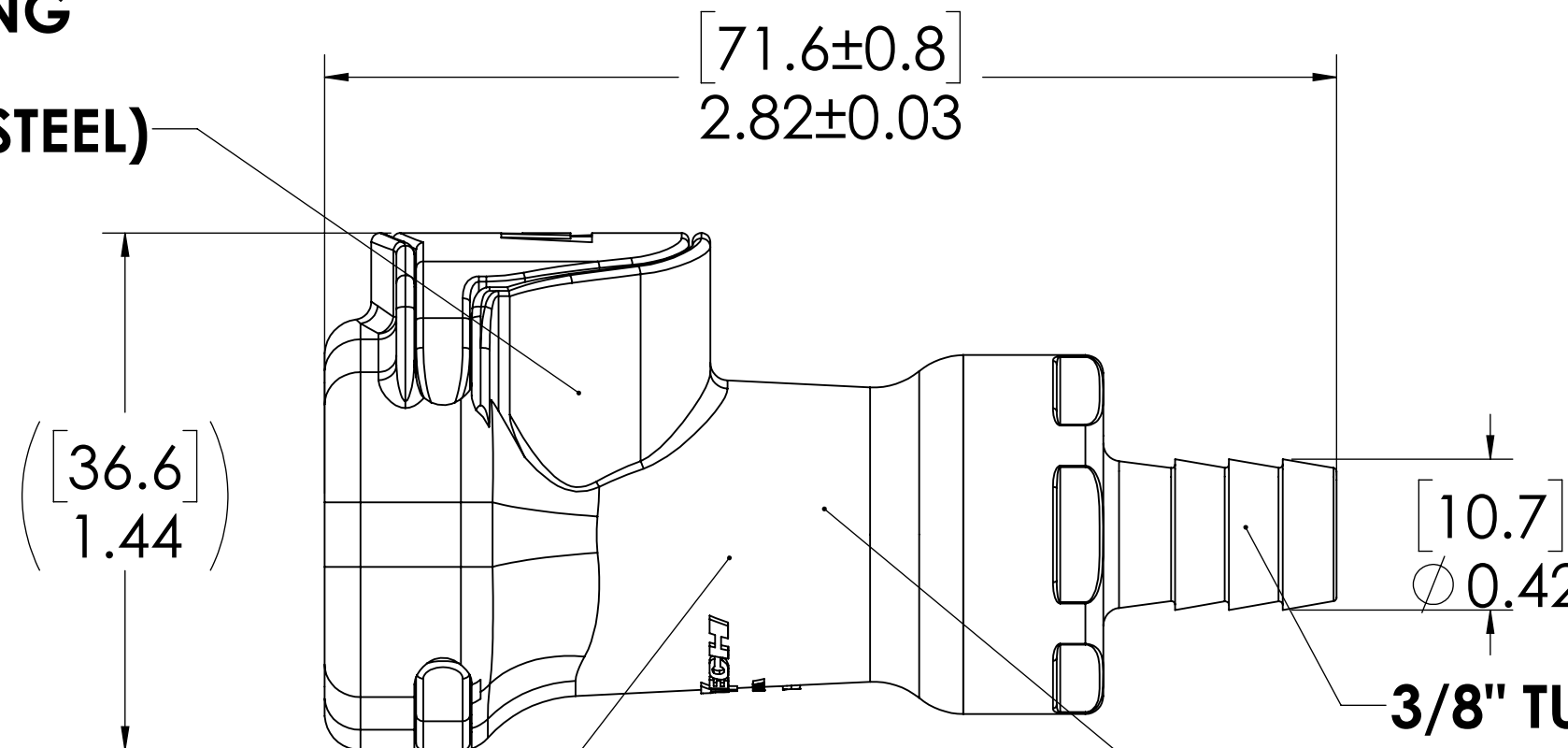


**SOCKET  
(POLYSULFONE)**



**VALVE,  
(POLYSULFONE)**

**LATCH SPRING  
INTERNAL  
(STAINLESS STEEL)**



**VALVE O-RING,  
INTERNAL  
(EPDM)**

**VALVE SPRING,  
INTERNAL  
(STAINLESS STEEL)**

**NOTES:**

- MATERIAL: POLYSULFONE
- COLOR: WHITE
- O-RING MATERIAL: PEROXIDE CURED EPDM
- O-RINGS LUBRICATED WITH FOOD GRADE SILICONE OIL, 350 CST.

**FOR REFERENCE ONLY**

<small>UNLESS OTHERWISE SPECIFIED: DIMENSIONS ARE IN INCHES TOLERANCES: FRACTIONAL ±1/32 ANGULAR: MACH ±0.5 BEND ±2 ONE PLACE DECIMAL ±0.1 TWO PLACE DECIMAL ±0.01 THREE PLACE DECIMAL ±0.005 TWO PLACE DUAL (mm) [±0.12]</small>	DRAWN	HRC	09-04-13							
	CHECKED	HRC	09-04-13							
	ENG APPR.	HRC	1/17/20							
	MFG APPR.	BDB	1/17/20							
PRODUCTION	LS	1/17/20		<b>PART NO: 60PSV-SE2-06</b> <b>DESCRIPTION: LinkTech 60PS Series, Inline Socket, Valved, 3/8" HB</b>						
<small>PROPRIETARY AND CONFIDENTIAL THE INFORMATION CONTAINED IN THIS DRAWING IS THE SOLE PROPERTY OF LINKTECH LLC. ANY REPRODUCTION OR DISCLOSURE IN PART OR AS A WHOLE WITHOUT THE WRITTEN PERMISSION OF LINKTECH LLC IS STRICTLY PROHIBITED.</small>				<table border="1"> <tr> <td>SIZE</td> <td>DWG. NO.</td> <td>REV</td> </tr> <tr> <td><b>C</b></td> <td><b>60PS600075</b></td> <td><b>B</b></td> </tr> </table>	SIZE	DWG. NO.	REV	<b>C</b>	<b>60PS600075</b>	<b>B</b>
SIZE	DWG. NO.	REV								
<b>C</b>	<b>60PS600075</b>	<b>B</b>								
SCALE: NTS WEIGHT:			SHEET 1 OF 1							