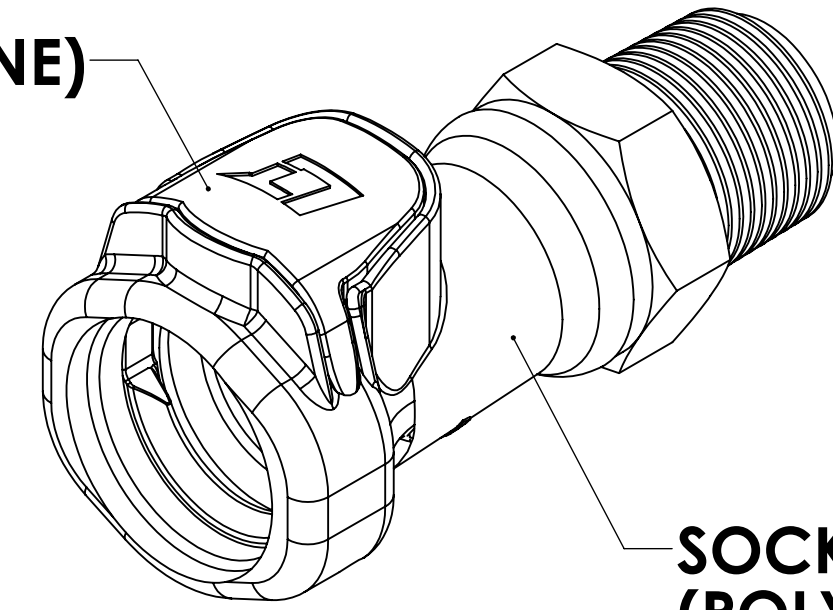
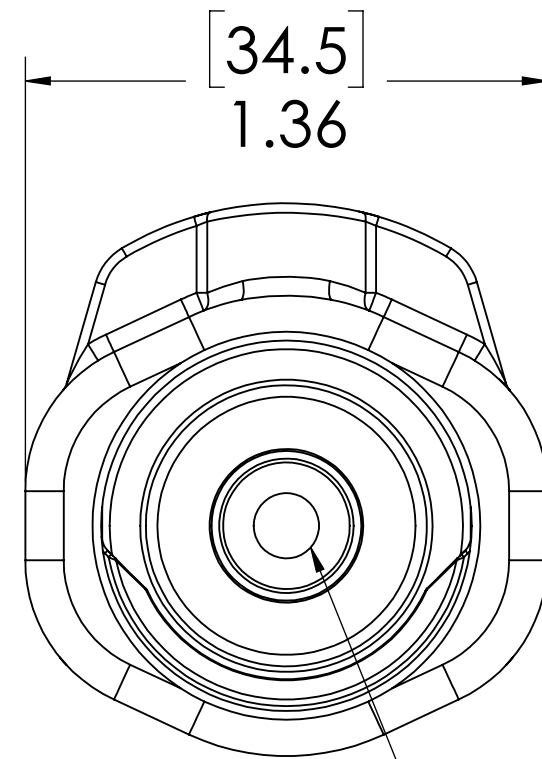


REVISIONS						
SHEET	ZONE	REV.	ECO	DESCRIPTION	DATE	APPROVED
1	D-7	A	.....	UPDATED LATCH SPRING	8/20/2014	HRC
1	A-8	A	.....	ADDED O-RING LUBRICATION NOTE	8/20/2014	HRC
1	ALL	A	50108	INITIAL RELEASE	9/9/2014	HRC
1	ALL	B	50253	UPDATE DWG TO CURRENT FORMAT & STANDARDS	10/16/2018	HRC

**LATCH  
(POLYSULFONE)**

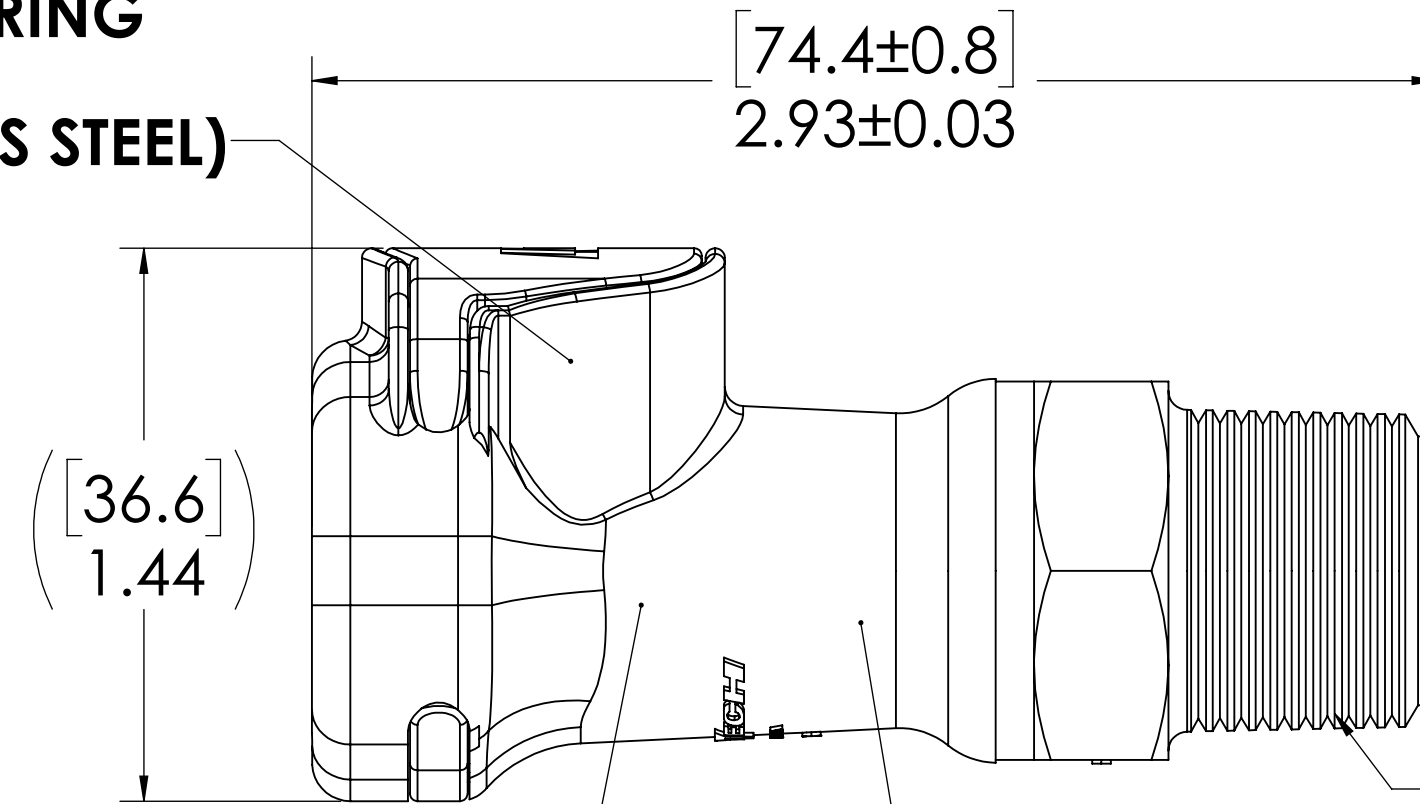


**SOCKET  
(POLYSULFONE)**



**VALVE  
(POLYSULFONE)**

**LATCH SPRING  
INTERNAL  
(STAINLESS STEEL)**



**1/2" NPT  
(PIPE THREAD)**


**VALVE O-RING  
INTERNAL  
(EPDM)**

**VALVE SPRING  
INTERNAL  
(STAINLESS STEEL)**

**NOTES:**

- MATERIAL: POLYSILFONE
- COLOR: WHITE
- O-RING MATERIAL: EPDM
- O-RINGS LUBRICATED WITH FOOD GRADE SILICONE OIL, 350 CST.

**FOR REFERENCE ONLY**

<small>UNLESS OTHERWISE SPECIFIED: DIMENSIONS ARE IN INCHES TOLERANCES: FRACTIONAL ± 1/32 ANGULAR: MACH ± 0.5 BEND ± 2 ONE PLACE DECIMAL ± 0.1 TWO PLACE DECIMAL ± 0.01 THREE PLACE DECIMAL ± 0.005 TWO PLACE DUAL (mm) [±0.12]</small>	DRAWN	LMP	7/3/2018	 <b>PART NO: 60PSV-SE1-08</b> <b>DESCRIPTION: LinkTech 60PS Series, Male Thread Socket, Valved, 1/2" MNPT</b>						
	CHECKED	HRC	7/3/2018							
	ENG APPR.	HRC	10/16/18							
	MFG APPR.	BDB	10/16/18							
PRODUCTION	LS	10/16/18	COMMENTS:	<table border="1"> <tr> <td>SIZE</td> <td>DWG. NO.</td> <td>REV</td> </tr> <tr> <td><b>C</b></td> <td><b>60PS600073</b></td> <td><b>B</b></td> </tr> </table>	SIZE	DWG. NO.	REV	<b>C</b>	<b>60PS600073</b>	<b>B</b>
SIZE	DWG. NO.	REV								
<b>C</b>	<b>60PS600073</b>	<b>B</b>								
<small>PROPRIETARY AND CONFIDENTIAL THE INFORMATION CONTAINED IN THIS DRAWING IS THE SOLE PROPERTY OF LINKTECH LLC. ANY REPRODUCTION OR DISCLOSURE IN PART OR AS A WHOLE WITHOUT THE WRITTEN PERMISSION OF LINKTECH LLC IS STRICTLY PROHIBITED.</small>			SCALE: NTS	WEIGHT:	SHEET 1 OF 1					