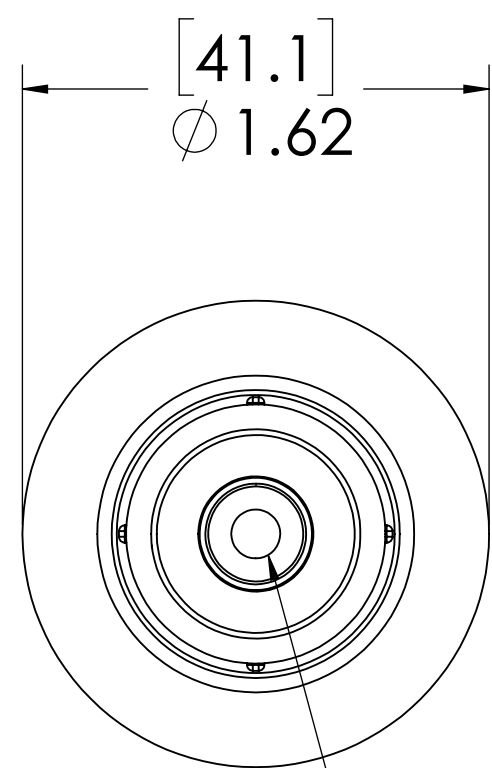
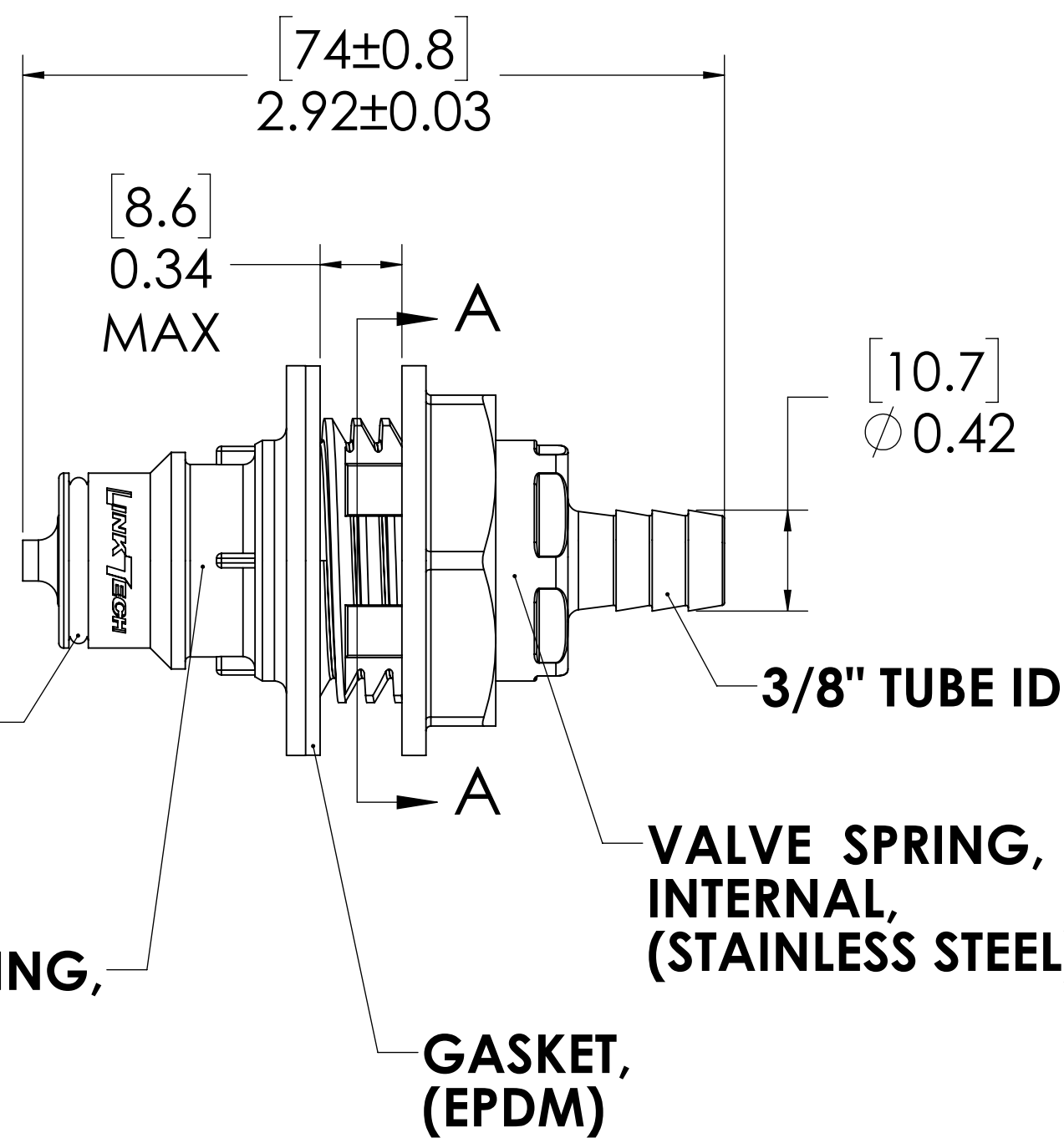


REVISIONS						
SHEET	ZONE	REV.	ECO	DESCRIPTION	DATE	APPROVED
1	ALL	A	50257	O-RING AND DWG FORMAT UPDATE	10/10/2018	HRC



VALVE (POLYSULFONE)



- NOTES:**
- MATERIAL: POLYSULFONE
 - COLOR: BLACK
 - O-RING AND GASKET MATERIAL: EPDM
 - O-RINGS LUBRICATED WITH FOOD GRADE SILICONE OIL, 350 CST.

FOR REFERENCE ONLY

<small>UNLESS OTHERWISE SPECIFIED: DIMENSIONS ARE IN INCHES TOLERANCES: FRACTIONAL ± 1/32 ANGULAR, MACH ± 0.5 BEND ± 2 ONE PLACE DECIMAL ± 0.1 TWO PLACE DECIMAL ± 0.01 THREE PLACE DECIMAL ± 0.005 TWO PLACE DUAL (mm) [± 0.12]</small>	DRAWN	CGS	1/12/18	
	CHECKED	HRC	1/12/18	
	ENG APPR.	HRC	10/10/18	
	MFG APPR.	BDB	10/10/18	
PRODUCTION	LS	10/10/18		PART NO: 60PSV-PE3-06BLK DESCRIPTION: LinkTech 60PS Series Panel Mt. Male, Valved 3/8" HB, Molded Black Color, Polysulfone
<small>THE INFORMATION CONTAINED IN THIS DRAWING IS THE SOLE PROPERTY OF LINKTECH LLC. ANY REPRODUCTION OR DISCLOSURE IN PART OR AS A WHOLE WITHOUT THE WRITTEN PERMISSION OF LINKTECH LLC IS STRICTLY PROHIBITED.</small>				SIZE DWG. NO. REV C 60PS600146 A
SCALE: NTS			WEIGHT:	SHEET 1 OF 1