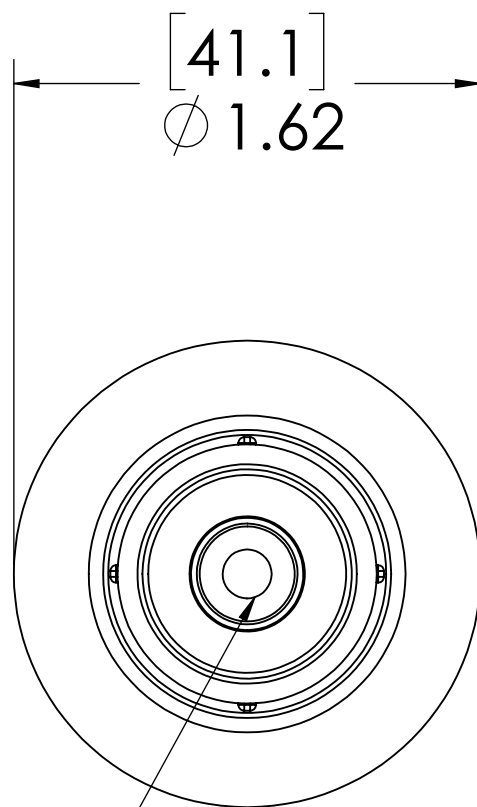
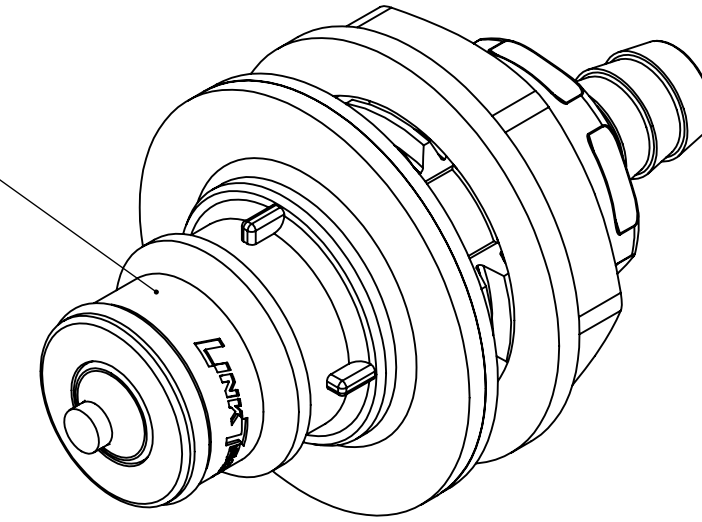
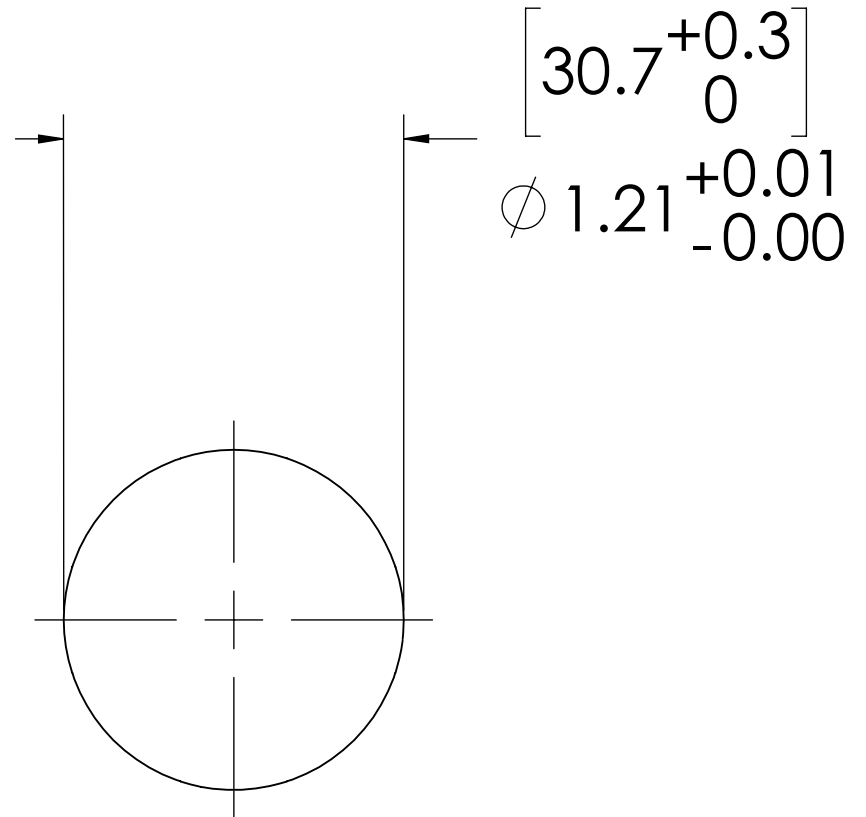
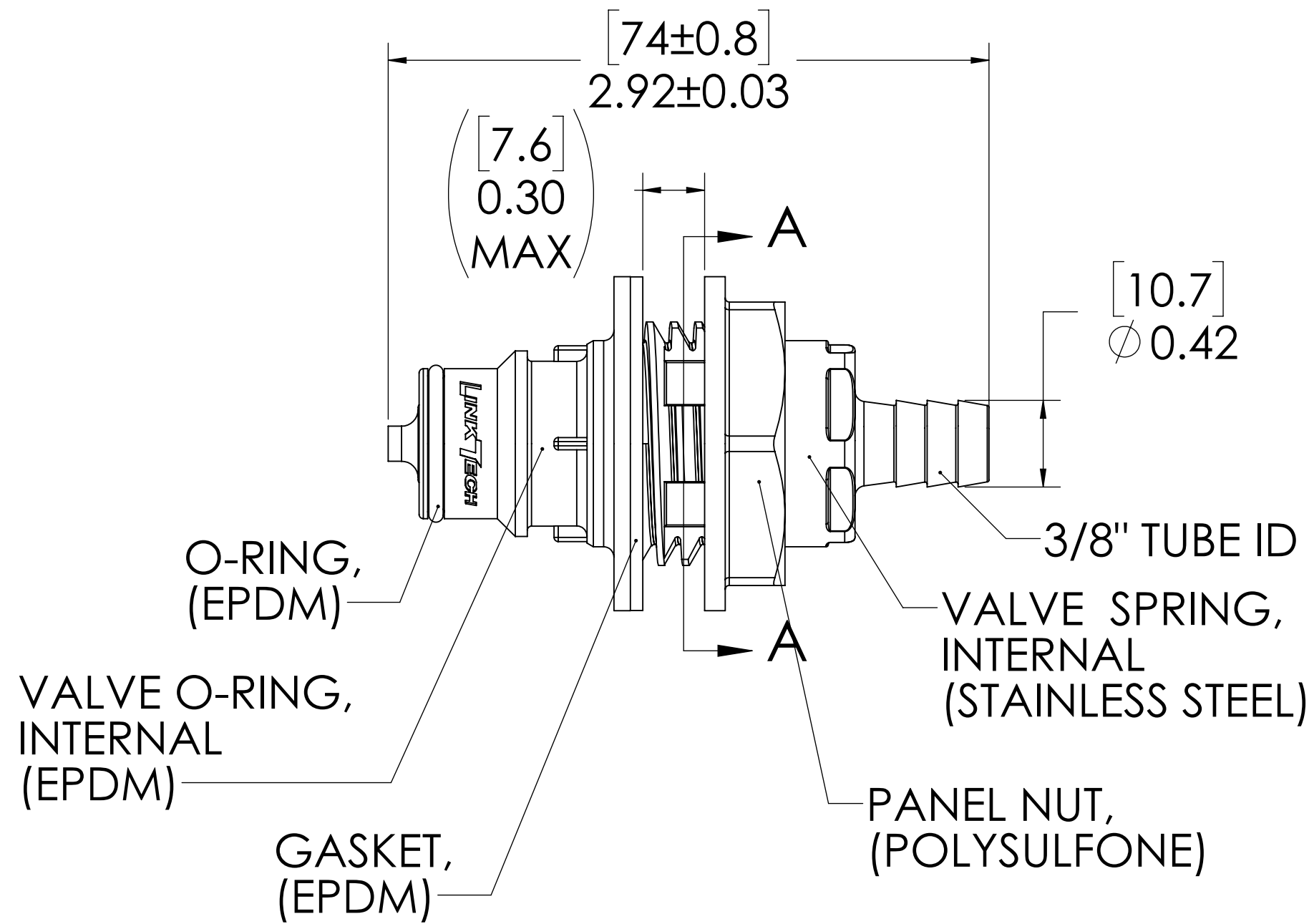


REVISIONS						
SHEET	ZONE	REV.	ECO	DESCRIPTION	DATE	APPROVED
1	ALL	A	50257	INITIAL RELEASE	7/9/2018	HRC

PLUG,
(POLYSULFONE)



VALVE,
(POLYSULFONE)



PANEL OPENING
(SECTION A-A)

NOTES:

1. MATERIAL: POLYSULFONE
2. COLOR: WHITE
3. O-RING MATERIAL: EPDM
4. O-RINGS LUBRICATED WITH FOOD GRADE SILICONE OIL, 350 CST.

FOR REFERENCE ONLY

UNLESS OTHERWISE SPECIFIED: DIMENSIONS ARE IN INCHES TOLERANCES: FRACTIONAL ± 1/32 ANGULAR: MACH ± 0.5 BEND ± 2 ONE PLACE DECIMAL ± 0.1 TWO PLACE DECIMAL ± 0.01 THREE PLACE DECIMAL ± 0.005 TWO PLACE DUAL (mm) [± 0.12]	DRAWN	HRC	9/20/13	 PART NO: 60PSV-PE3-06 DESCRIPTION: LinkTech 60PS Series Panel Mt. Male, Valved 3/8" HB, Polysulfone	
	CHECKED	HRC	9/20/13		
	ENG APPR.	HRC	7/9/18		
	MFG APPR.	BDB	7/9/18		
PRODUCTION	LS	7/9/18	COMMENTS:	SIZE DWG. NO. REV C 60PS600067 A	
PROPRIETARY AND CONFIDENTIAL THE INFORMATION CONTAINED IN THIS DRAWING IS THE SOLE PROPERTY OF LINKTECH LLC. ANY REPRODUCTION OR DISCLOSURE IN PART OR AS A WHOLE WITHOUT THE WRITTEN PERMISSION OF LINKTECH LLC IS STRICTLY PROHIBITED.			SCALE: NTS	WEIGHT:	SHEET 1 OF 1