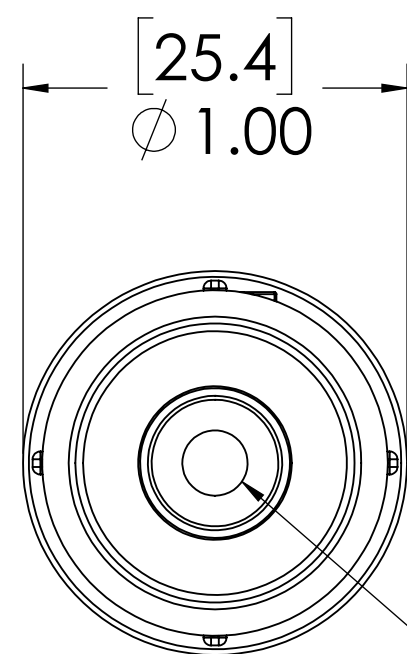
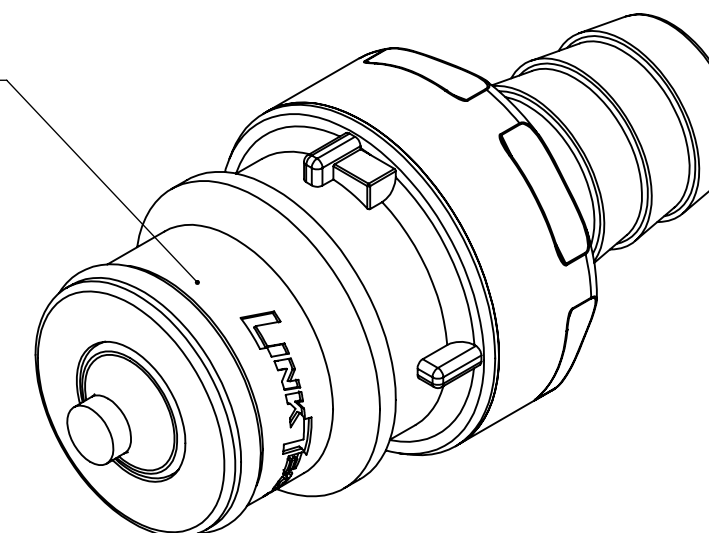
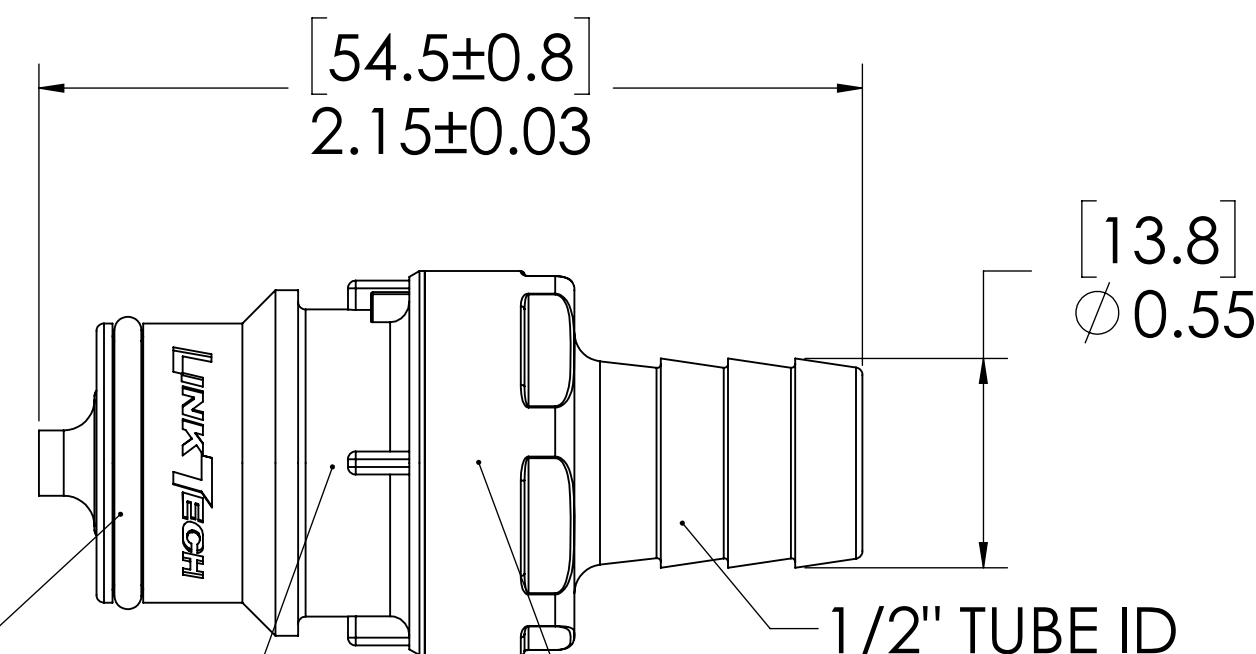


REVISIONS						
SHEET	ZONE	REV.	ECO	DESCRIPTION	DATE	APPROVED
1	A-8	A	.....	ADDED O-RING LUBRICATION NOTE	8/20/2014	HRC
1	ALL	A	50108	INITIAL RELEASE	9/9/2014	HRC
1	ALL	B	50257	O-RING AND DWG FORMAT UPDATE	6/28/2018	HRC

PLUG,  
(POLYSULFONE)



VALVE,  
(POLYSULFONE)



O-RING,  
(EPDM)

VALVE O-RING,  
INTERNAL  
(EPDM)

VALVE SPRING,  
INTERNAL  
(STAINLESS STEEL)

1/2" TUBE ID

**NOTES:**

- MATERIAL: POLYSULFONE
- COLOR: WHITE
- O-RING MATERIAL: EPDM
- O-RINGS LUBRICATED WITH FOOD GRADE SILICONE OIL, 350 CST.

**FOR REFERENCE ONLY**

<small>UNLESS OTHERWISE SPECIFIED: DIMENSIONS ARE IN INCHES TOLERANCES: FRACTIONAL ± 1/32 ANGULAR: MACH ± 0.5 BEND ± 2 ONE PLACE DECIMAL ± 0.1 TWO PLACE DECIMAL ± 0.01 THREE PLACE DECIMAL ± 0.005 TWO PLACE DUAL (mm) [± 0.12]</small>	DRAWN	HRC	9/4/13	
	CHECKED	HRC	9/4/13	
	ENG APPR.	HRC	6/28/18	
	MFG APPR.	BDB	6/28/18	
PRODUCTION	LS	6/28/18		<b>PART NO:</b> 60PSV-PE2-08 <b>DESCRIPTION:</b> LinkTech 60PS Series Straight Male, Valved 1/2" HB, Polysulfone
<small>PROPRIETARY AND CONFIDENTIAL THE INFORMATION CONTAINED IN THIS DRAWING IS THE SOLE PROPERTY OF LINKTECH LLC. ANY REPRODUCTION OR DISCLOSURE IN PART OR AS A WHOLE WITHOUT THE WRITTEN PERMISSION OF LINKTECH LLC IS STRICTLY PROHIBITED.</small>	COMMENTS:			<b>SIZE</b> DWG. NO. <b>REV</b> C 60PS600065 B
	SCALE: NTS WEIGHT:			SHEET 1 OF 1