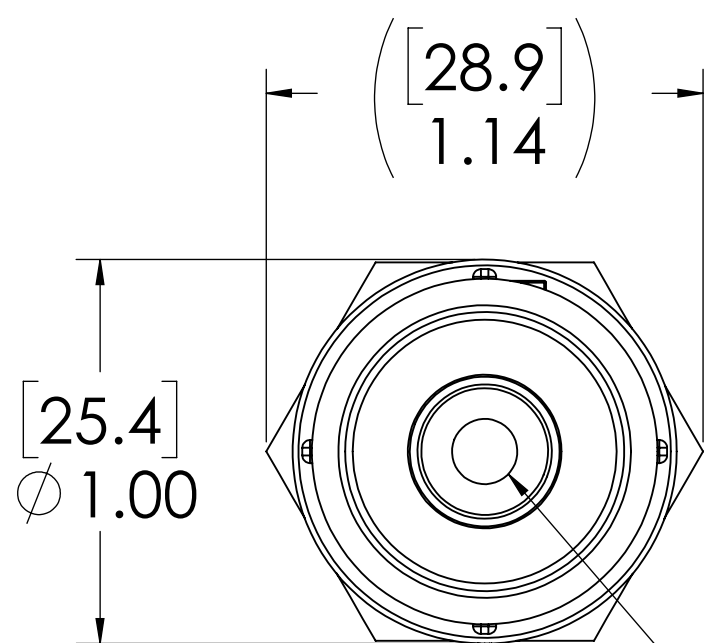
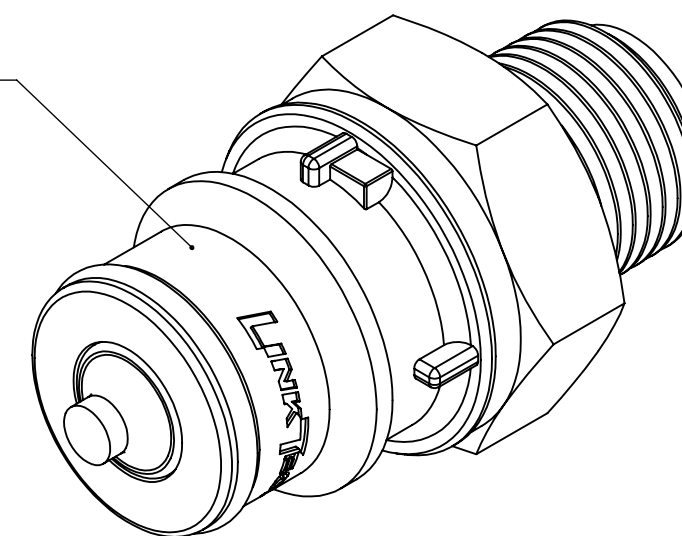


REVISIONS						
SHEET	ZONE	REV.	ECO	DESCRIPTION	DATE	APPROVED
1	A-8	A	ADDED O-RING LUBRICATION NOTE	8/20/2014	HRC
1	A-8	A	50108	INITIAL RELEASE	9/9/2014	HRC
1	ALL	B	50257	O-RING AND DWG FORMAT UPDATE	6/28/2018	HRC

PLUG,
(POLYSULFONE)

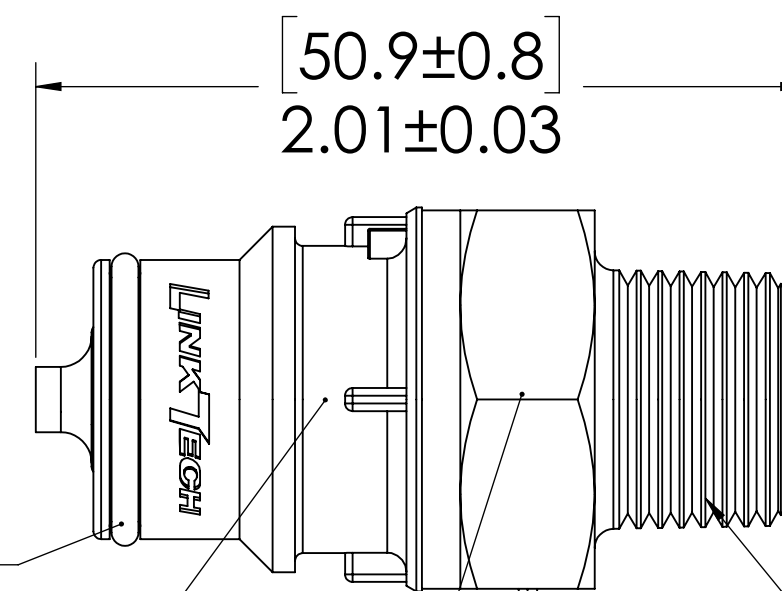


VALVE,
(POLYSULFONE)

O-RING,
(EPDM)

VALVE O-RING,
INTERNAL
(EPDM)

VALVE SPRING,
INTERNAL
(STAINLESS STEEL)



3/8" NPT
(PIPE THREAD)

NOTES:

- MATERIAL: POLYSULFONE
- COLOR: WHITE
- O-RING MATERIAL: EPDM
- O-RINGS LUBRICATED WITH FOOD GRADE SILICONE OIL, 350 CST.

FOR REFERENCE ONLY

<small>UNLESS OTHERWISE SPECIFIED: DIMENSIONS ARE IN INCHES TOLERANCES: FRACTIONAL ± 1/32 ANGULAR: MACH ± 0.5 BEND ± 2 ONE PLACE DECIMAL ± 0.1 TWO PLACE DECIMAL ± 0.01 THREE PLACE DECIMAL ± 0.005 TWO PLACE DUAL (mm) [± 0.12]</small>	<small>DRAWN</small> HRC 9/4/13	<small>NAME</small> HRC 9/4/13	
	<small>CHECKED</small> HRC 9/4/13	<small>ENG APPR.</small> HRC 6/28/18	
<small>PROPRIETARY AND CONFIDENTIAL THE INFORMATION CONTAINED IN THIS DRAWING IS THE SOLE PROPERTY OF LINKTECH LLC. ANY REPRODUCTION OR DISCLOSURE IN PART OR AS A WHOLE WITHOUT THE WRITTEN PERMISSION OF LINKTECH LLC IS STRICTLY PROHIBITED.</small>	<small>MFG APPR.</small> BDB 6/28/18	<small>PRODUCTION</small> LS 6/28/18	DESCRIPTION: LinkTech 60PS Series Male Thread Male, Valved, 3/8" MNPT, Polysulfone
	<small>COMMENTS:</small>		SIZE DWG. NO. REV C 60PS600061 B
	<small>SCALE: NTS</small> <small>WEIGHT:</small> <small>SHEET 1 OF 1</small>		