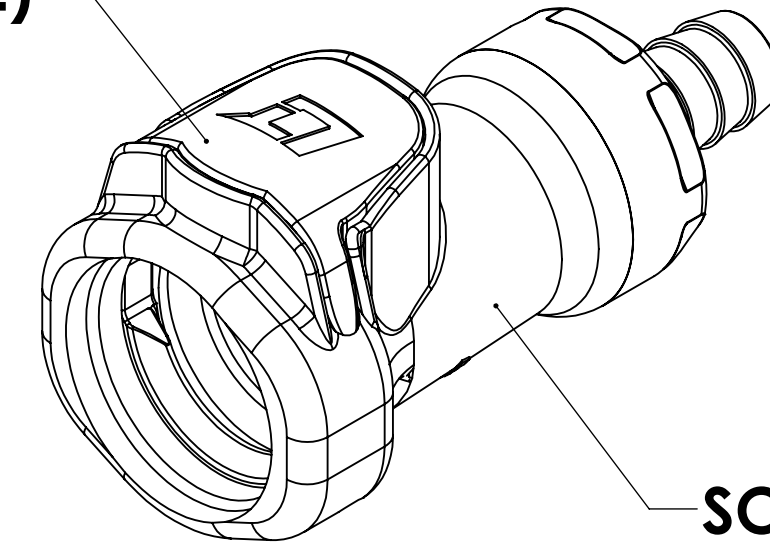
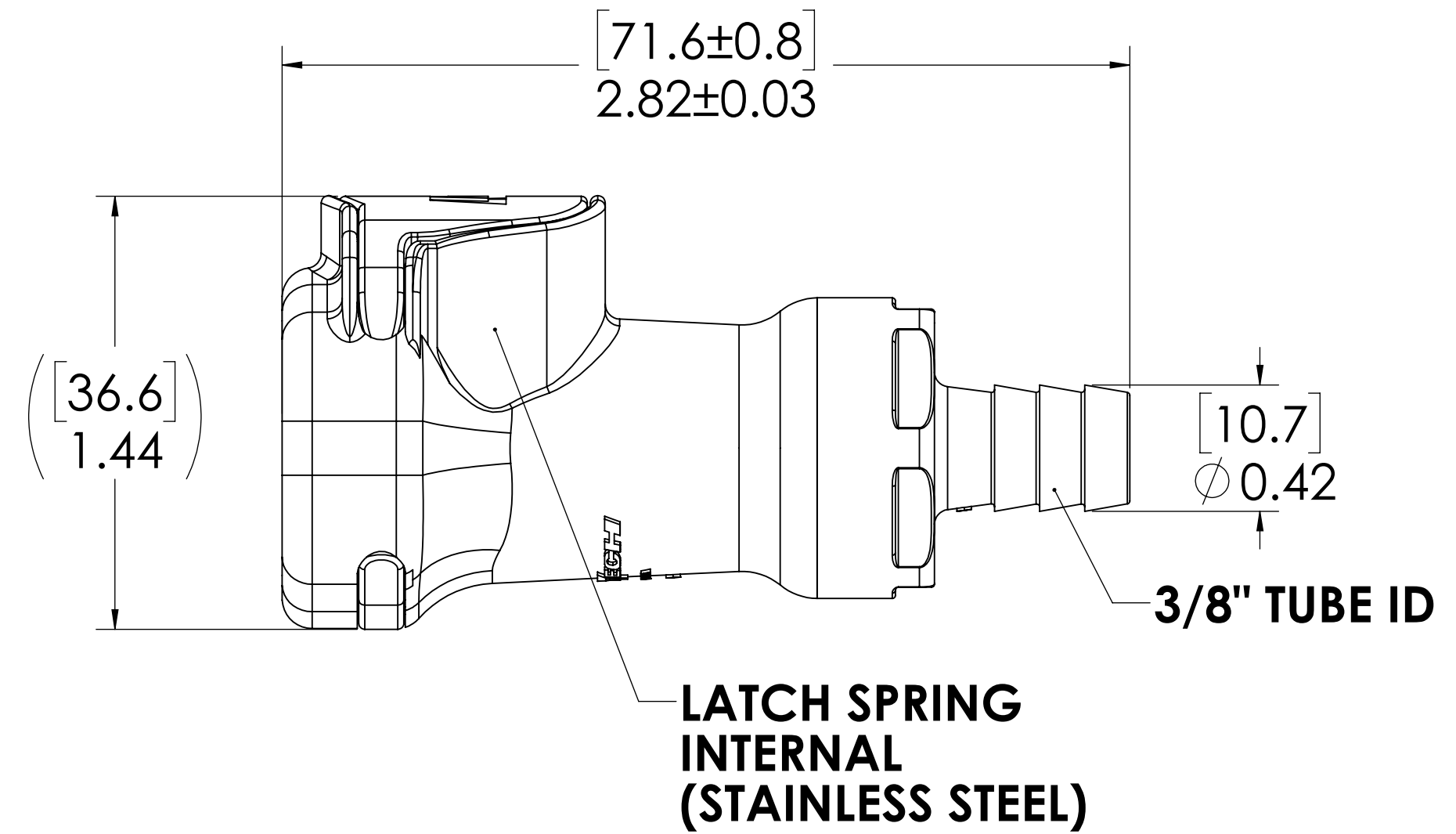
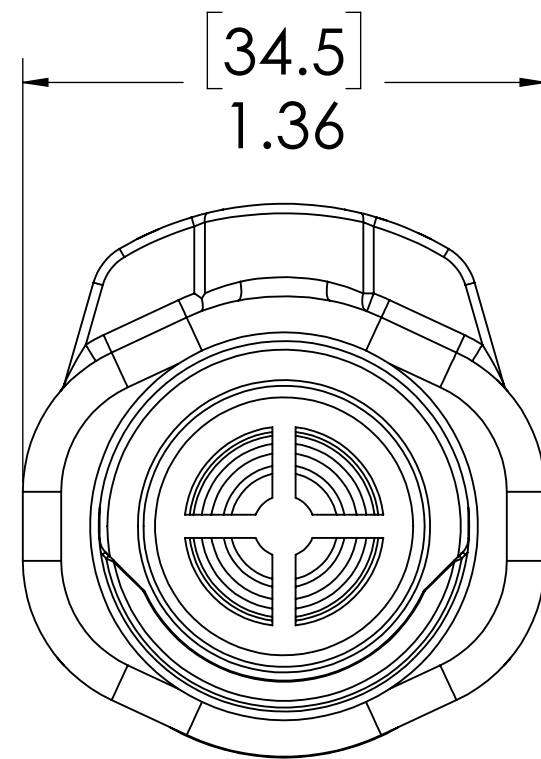


REVISIONS						
SHEET	ZONE	REV.	ECO	DESCRIPTION	DATE	APPROVED
1	D-6	A	UPDATED LATCH SPRING	8/20/2014	HRC
1	ALL	A	50108	INITIAL RELEASE	9/9/2014	HRC
1	ALL	B	50253	UPDATE DWG TO CURRENT FORMAT & STANDARDS	10/16/2018	HRC

**LATCH
(POLYSULFONE)**




**SOCKET
(POLYSULFONE)**



**LATCH SPRING
INTERNAL
(STAINLESS STEEL)**

- NOTES:**
- MATERIAL: POLYSULFONE
 - COLOR: WHITE

FOR REFERENCE ONLY

<small>UNLESS OTHERWISE SPECIFIED: DIMENSIONS ARE IN INCHES TOLERANCES: FRACTIONAL ±1/32 ANGULAR: MACH: ±0.5 BEND ±2 ONE PLACE DECIMAL ±0.1 TWO PLACE DECIMAL ±0.01 THREE PLACE DECIMAL ±0.005 TWO PLACE DUAL (mm) [±0.12]</small>	DRAWN	LMP	7/3/2018	 PART NO: 60PS-S2-06 DESCRIPTION: LinkTech 60PS Series, Inline Socket, Non-Valved, 3/8" HB
	CHECKED	HRC	7/3/2018	
	ENG APPR.	HRC	10/16/18	
	MFG APPR.	BDB	10/16/18	
<small>PROPRIETARY AND CONFIDENTIAL THE INFORMATION CONTAINED IN THIS DRAWING IS THE SOLE PROPERTY OF LINKTECH LLC. ANY REPRODUCTION OR DISCLOSURE IN PART OR AS A WHOLE WITHOUT THE WRITTEN PERMISSION OF LINKTECH LLC IS STRICTLY PROHIBITED.</small>	PRODUCTION	LS	10/16/18	<small>SIZE DWG. NO. REV</small> C 60PS600053 B
<small>SCALE: NTS WEIGHT:</small>			<small>SHEET 1 OF 1</small>	