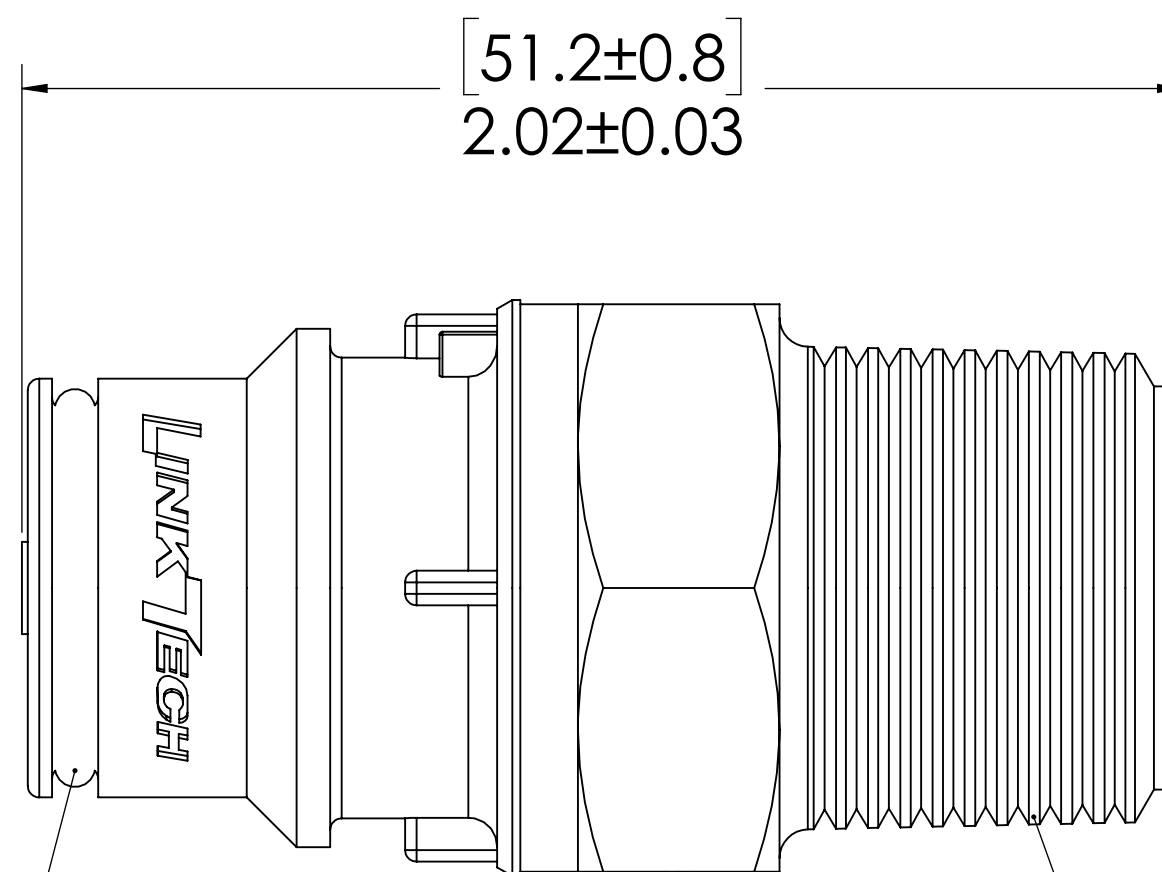
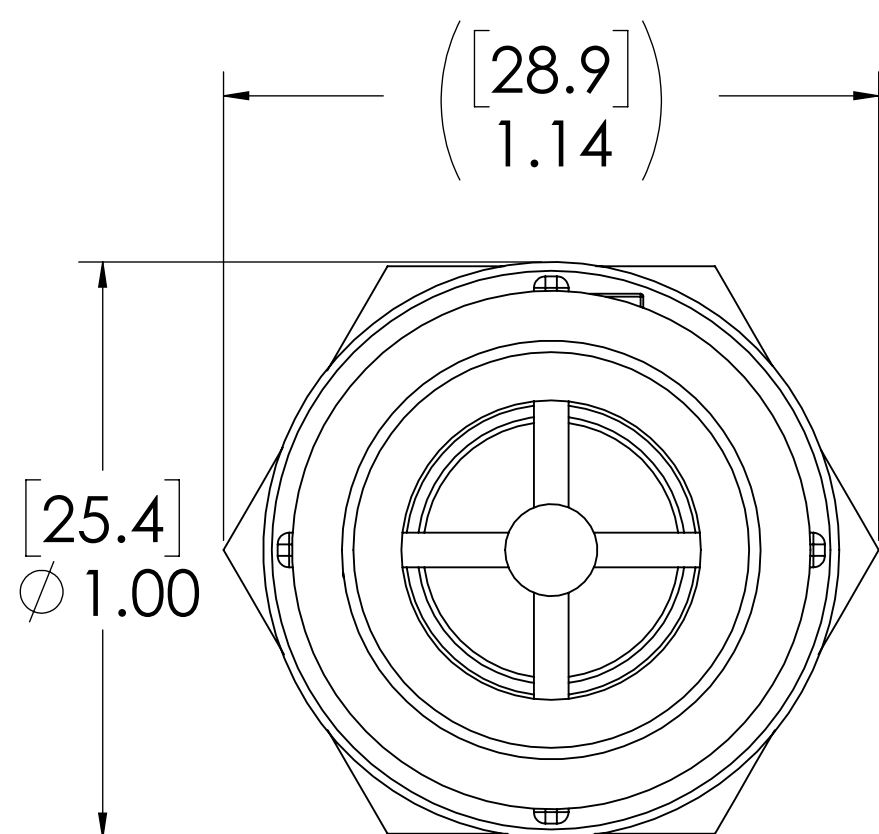
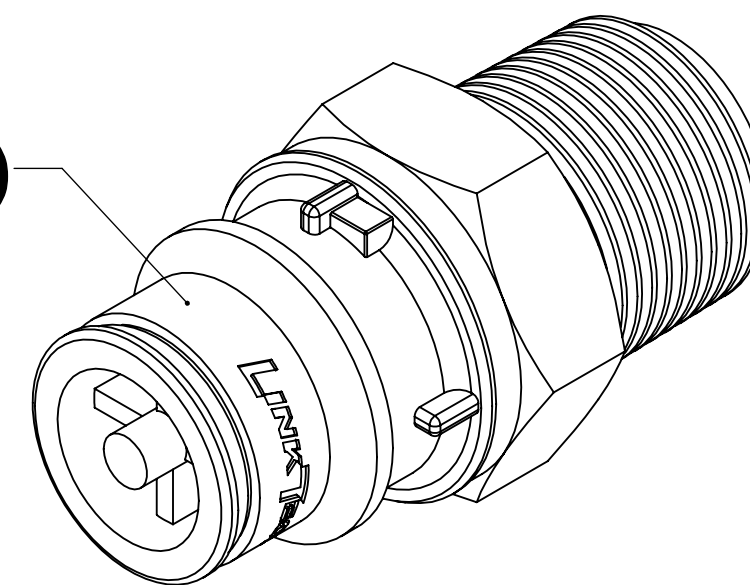


REVISIONS						
SHEET	ZONE	REV.	ECO	DESCRIPTION	DATE	APPROVED
1	A-8	A	ADDED O-RING LUBRICATION NOTE	8/18/2014	HRC
1	ALL	A	50108	INITIAL RELEASE	9/9/2014	HRC
1	ALL	B	50257	O-RING AND DWG FORMAT UPDATE	10/10/2018	HRC

**PLUG
(POLYSULFONE)**



**O-RING,
(EPDM)**

**1/2" NPT
(PIPE THREAD)**

NOTES:

1. MATERIAL: POLYSULFONE
2. COLOR: WHITE
3. O-RING MATERIAL: EPDM
4. O-RINGS LUBRICATED WITH FOOD GRADE SILICONE OIL, 350 CST.

FOR REFERENCE ONLY

UNLESS OTHERWISE SPECIFIED: DIMENSIONS ARE IN INCHES TOLERANCES: FRACTIONAL ± 1/32 ANGULAR: MACH ± 0.5 BEND ± 2 ONE PLACE DECIMAL ± 0.1 TWO PLACE DECIMAL ± 0.01 THREE PLACE DECIMAL ± 0.005 TWO PLACE DUAL (mm) [±0.12]	DRAWN	HRC	9/03/13	 PART NO: 60PS-PE1-08 DESCRIPTION: LinkTech 60PS Series Male Thread Male, Non-valved 1/2" MNPT, Polysulfone
	CHECKED	HRC	9/03/13	
PROPRIETARY AND CONFIDENTIAL THE INFORMATION CONTAINED IN THIS DRAWING IS THE SOLE PROPERTY OF LINKTECH LLC. ANY REPRODUCTION OR DISCLOSURE IN PART OR AS A WHOLE WITHOUT THE WRITTEN PERMISSION OF LINKTECH LLC IS STRICTLY PROHIBITED.	ENG APPR.	HRC	10/10/18	SIZE DWG. NO. REV C 60PS600040 B
	MFG APPR.	BDB	10/10/18	SCALE: NTS WEIGHT: SHEET 1 OF 1
	PRODUCTION	LS	10/10/18	