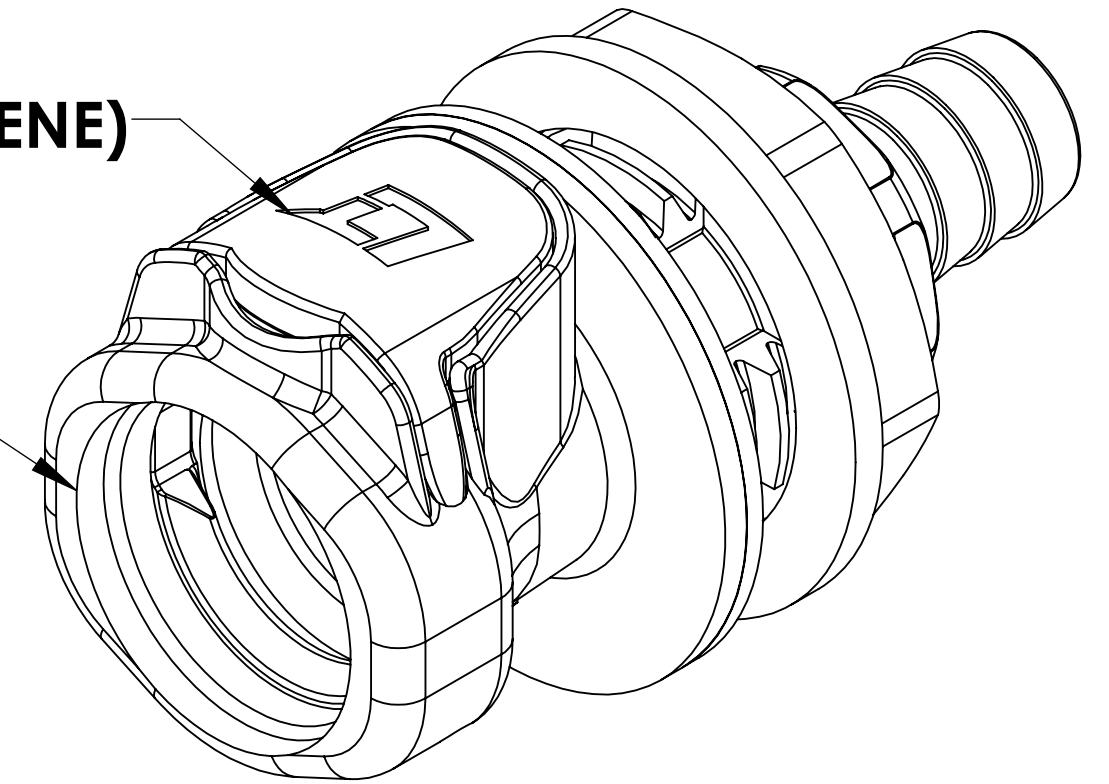


REVISIONS						
SHEET	ZONE	REV.	ECO	DESCRIPTION	DATE	APPROVED
1	A-8	A	....	ADDED O-RING LUBRICATION NOTE	6/20/2014	HRC
1	D-7	A	....	UPDATED LATCH SPRING	6/20/2014	HRC
1	E-2	A	....	ADDED GASKET TO ASSEMBLY	6/20/2014	HRC
1	ALL	A	50093	INITIAL RELEASE	9/10/2014	HRC
ALL	ALL	B	50253	2017 FORMAT UPDATE	3/8/2018	HRC

**LATCH  
(POLYPROPYLENE)**

**SOCKET  
(POLYPROPYLENE)**



**LATCH SPRING,  
INTERNAL  
(STAINLESS STEEL)**

**INTERNAL ORING  
(EPDM)**

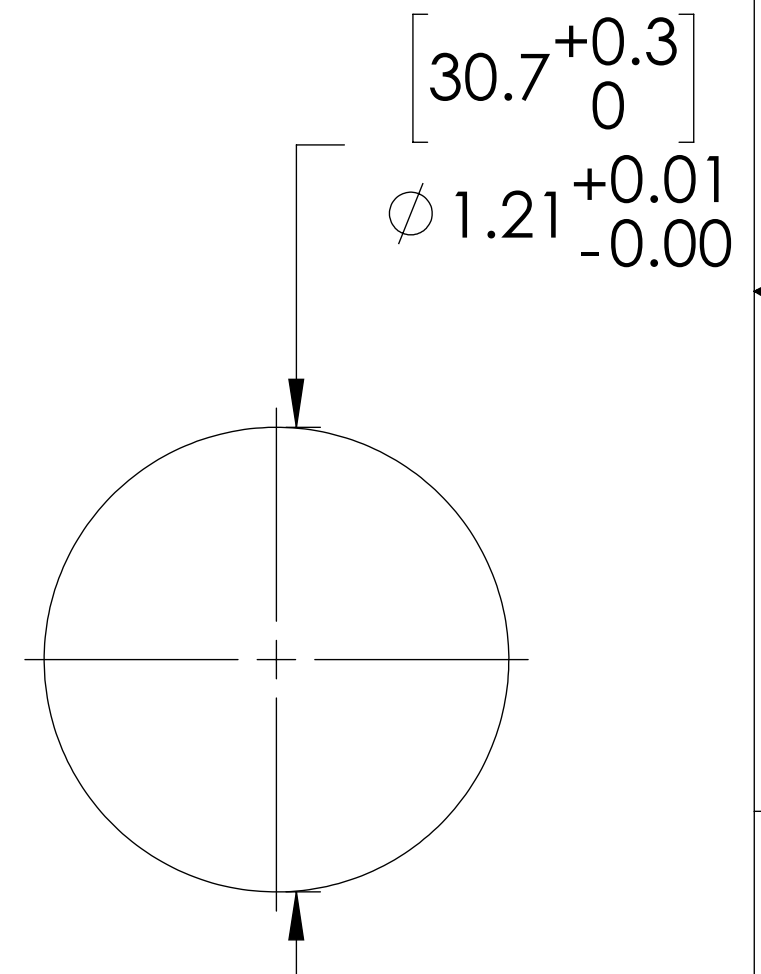
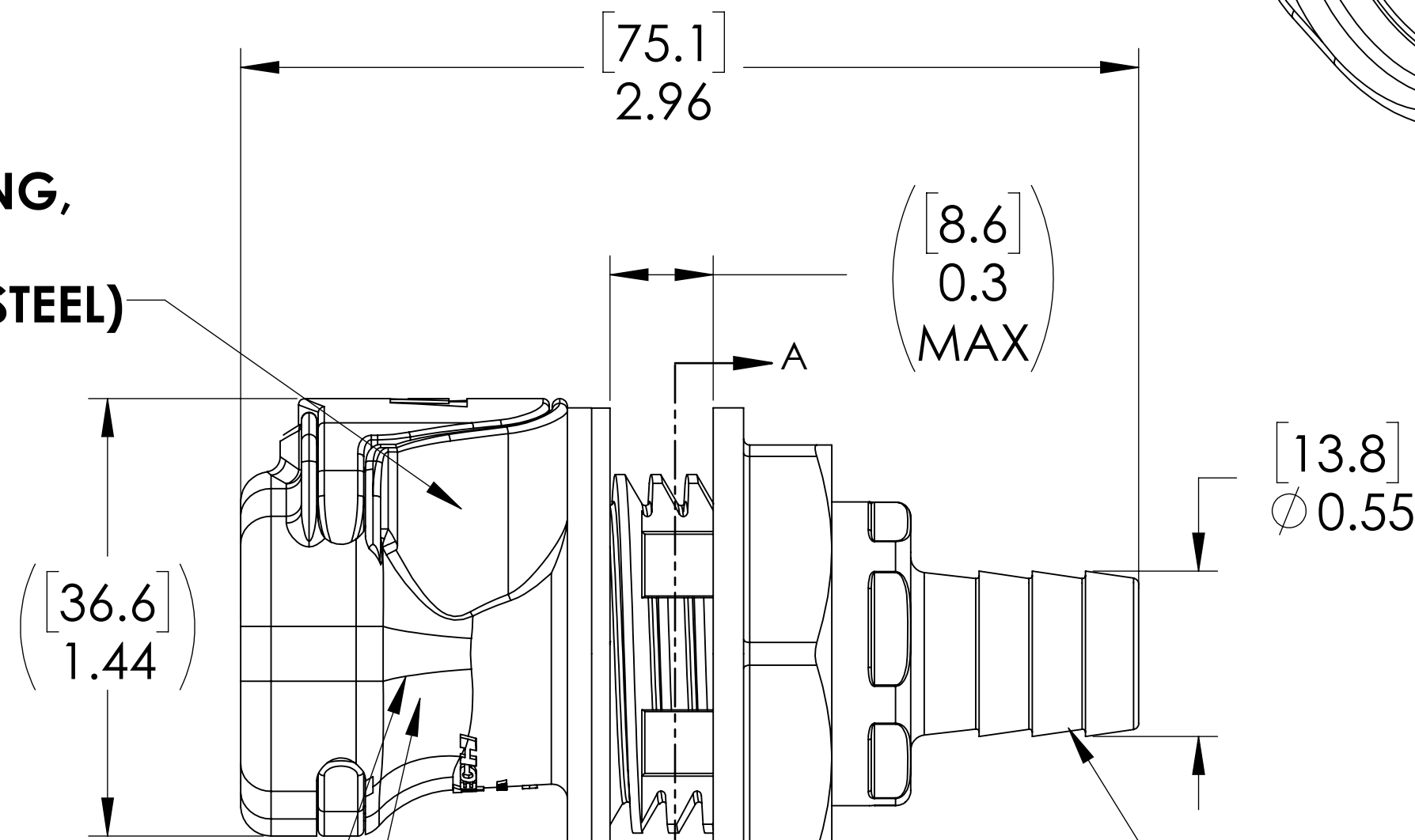
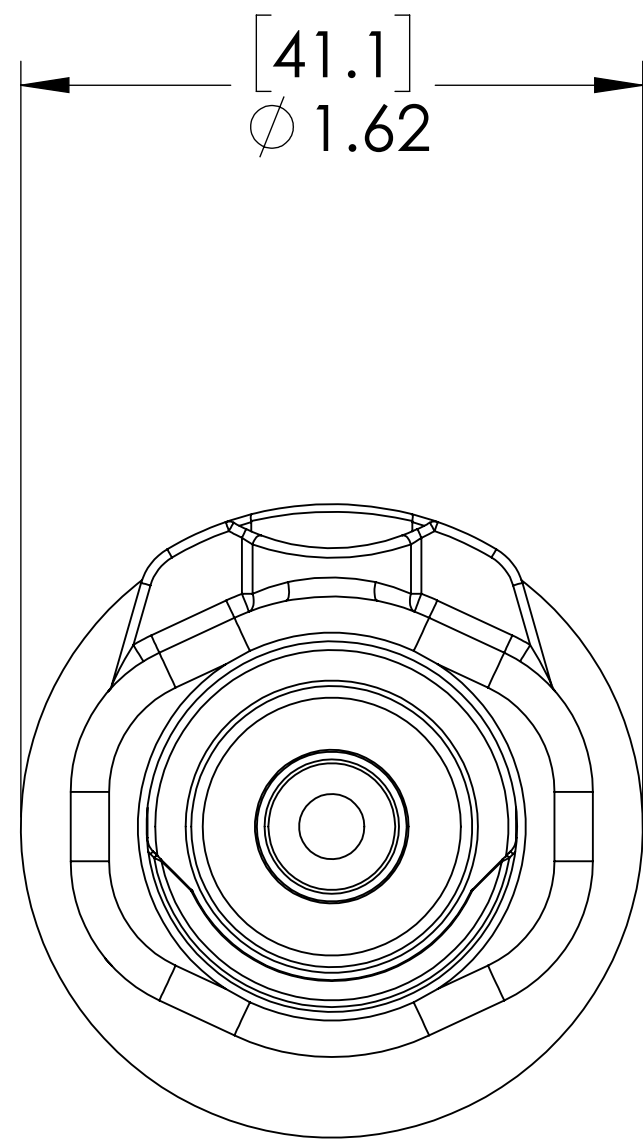
**VALVE SPRING  
INTERNAL  
(STAINLESS STEEL)**

**GASKET  
(EPDM)**

**PANEL NUT  
(POLYPROPYLENE)**

**1/2" TUBE ID**

**PANEL OPENING  
(SECTION A-A)**



**NOTES:**

- MATERIAL: POLYPROPYLENE
- COLOR: GREY
- O-RING MATERIAL: EPDM
- O-RINGS LUBRICATED WITH FOOD GRADE SILICONE OIL, 350 CST.

**FOR REFERENCE ONLY**

<small>UNLESS OTHERWISE SPECIFIED: DIMENSIONS ARE IN INCHES TOLERANCES: FRACTIONAL ± 1/32 ANGULAR: MACH ± 0.5 BEND ± 2 ONE PLACE DECIMAL ± 0.1 TWO PLACE DECIMAL ± 0.01 THREE PLACE DECIMAL ± 0.005 TWO PLACE DUAL (mm) [± 0.12]</small>	DRAWN	HRC	09-20-13	
	CHECKED	HRC	09-20-13	
	ENG APPR.	HRC	03/08/18	
	MFG APPR.	BDB	03/08/18	
PRODUCTION	RK	03/08/18		<b>PART NO:</b> 60PPV-SE3-08 <b>DESCRIPTION:</b> LinkTech 60PP Series Straight Female, Valved, 500 HB, Polypropylene
<small>PROPRIETARY AND CONFIDENTIAL THE INFORMATION CONTAINED IN THIS DRAWING IS THE SOLE PROPERTY OF LINKTECH LLC. ANY REPRODUCTION OR DISCLOSURE IN PART OR AS A WHOLE WITHOUT THE WRITTEN PERMISSION OF LINKTECH LLC IS STRICTLY PROHIBITED.</small>	COMMENTS:			<b>SIZE DWG. NO. REV</b> <b>C 60PP600079 B</b>
SCALE: NTS		WEIGHT:	SHEET 1 OF 1	