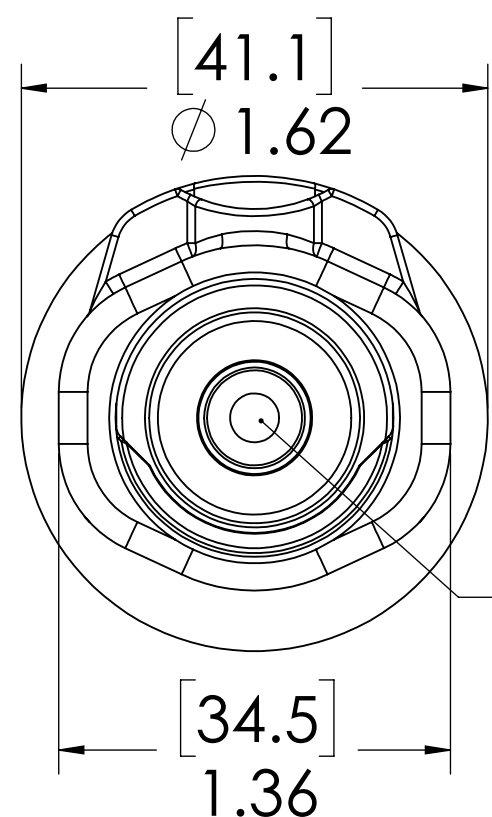
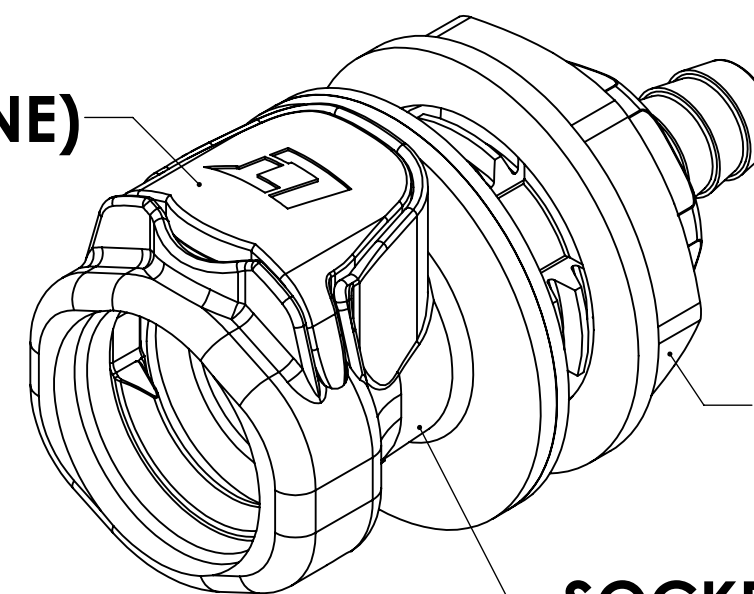


REVISIONS						
SHEET	ZONE	REV.	ECO	DESCRIPTION	DATE	APPROVED
1	A-8	A	ADDED O-RING LUBRICATION NOTE	6/20/2014	HRC
1	D-7	A	UPDATE LATCH SPRING	6/20/2014	HRC
1	E-2	A	ADDED GASKET TO ASSEMBLY	6/20/2014	HRC
1	ALL	A	50093	INITIAL RELEASE	9/10/2014	HRC
1	ALL	B	50253	UPDATE DWG TO CURRENT FORMAT & STANDARDS	10/30/2018	HRC

**LATCH
(POLYPROPYLENE)**

**PANEL NUT
(POLYPROPYLENE)**

**SOCKET
(POLYPROPYLENE)**



**VALVE
POLYPROPYLENE**

**LATCH SPRING
(STAINLESS STEEL)**

**VALVE O-RING
INTERNAL
(EPDM)**

**VALVE SPRING
INTERNAL
(STAINLESS STEEL)**

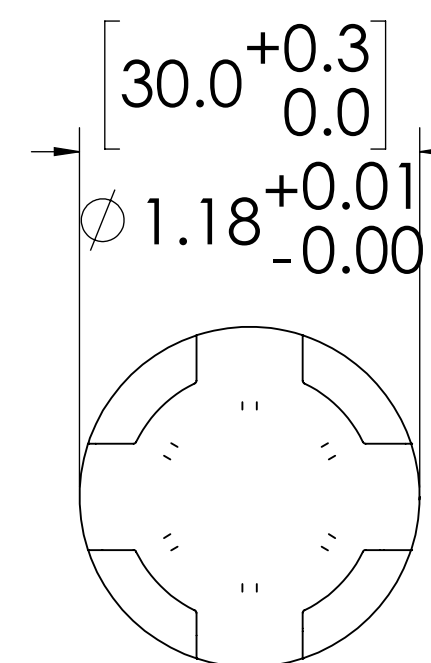
72.5 ± 0.8
 2.86 ± 0.03

B (8.6)
 0.34
MAX

10.7
 $\phi 0.42$

3/8" TUBE ID

**GASKET
EXTERNAL
(EPDM)**



**SECTION B-B
(PANEL OPENING)**

NOTES:

1. MATERIAL: POLYPROPYLENE
2. COLOR: GREY
3. O-RING AND GASKET MATERIAL: EPDM
4. O-RINGS LUBRICATED WITH FOOD GRADE SILICONE OIL, 350 CST.

FOR REFERENCE ONLY

UNLESS OTHERWISE SPECIFIED: DIMENSIONS ARE IN INCHES TOLERANCES: FRACTIONAL $\pm 1/32$ ANGULAR: MACH ± 0.5 BEND ± 2 ONE PLACE DECIMAL ± 0.1 TWO PLACE DECIMAL ± 0.01 THREE PLACE DECIMAL ± 0.005 TWO PLACE DUAL (mm) $[\pm 0.12]$	DRAWN	LMP	6/22/2018	 PART NO: 60PPV-SE3-06
	CHECKED	HRC	6/22/2018	
PROPRIETARY AND CONFIDENTIAL THE INFORMATION CONTAINED IN THIS DRAWING IS THE SOLE PROPERTY OF LINKTECH LLC. ANY REPRODUCTION OR DISCLOSURE IN PART OR AS A WHOLE WITHOUT THE WRITTEN PERMISSION OF LINKTECH LLC IS STRICTLY PROHIBITED.	ENG APPR.	HRC	10/30/18	DESCRIPTION: LinkTech 60PP Series, Panel Mt. Socket, Valved, 3/8" HB, Polypropylene
	MFG APPR.	BDB	10/30/18	
	PRODUCTION	LS	10/30/18	
COMMENTS:				SIZE DWG. NO. REV C 60PP600078 B
SCALE: NTS WEIGHT:			SHEET 1 OF 1	