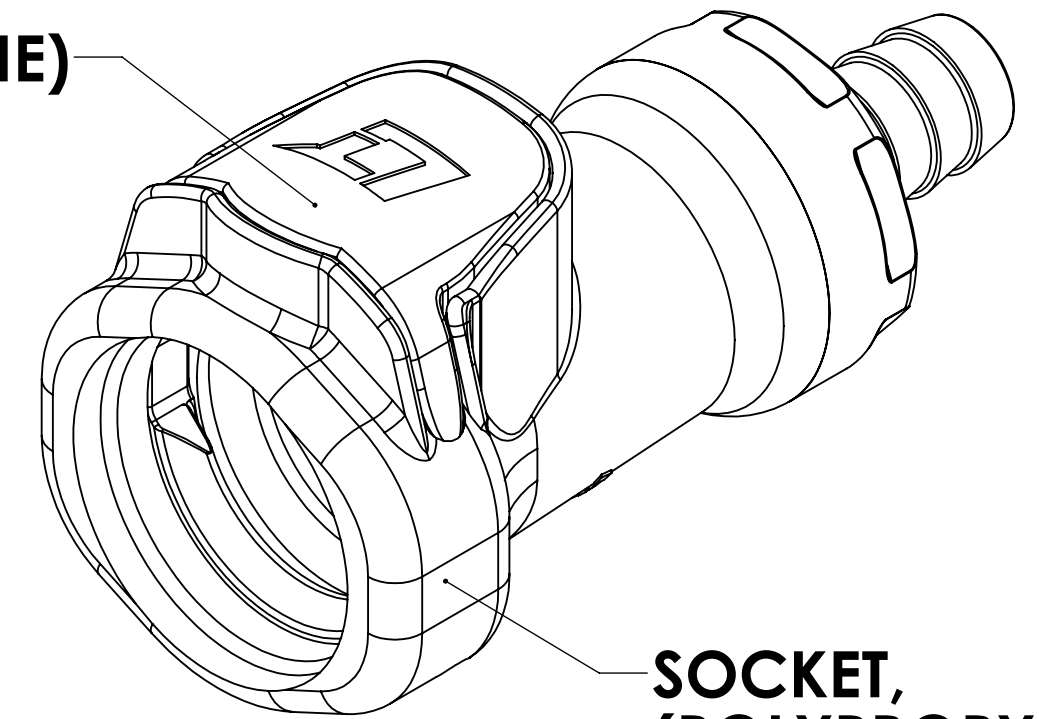
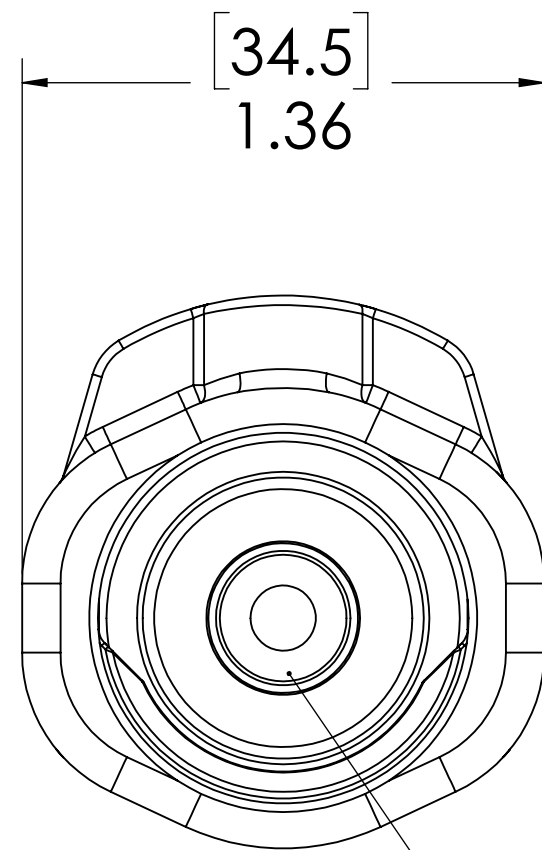


REVISIONS						
SHEET	ZONE	REV.	ECO	DESCRIPTION	DATE	APPROVED
1	ALL	A	50253	UPDATE DWG TO CURRENT FORMAT & STANDARDS	8/9/2018	HRC

**LATCH,
(POLYPROPYLENE)**

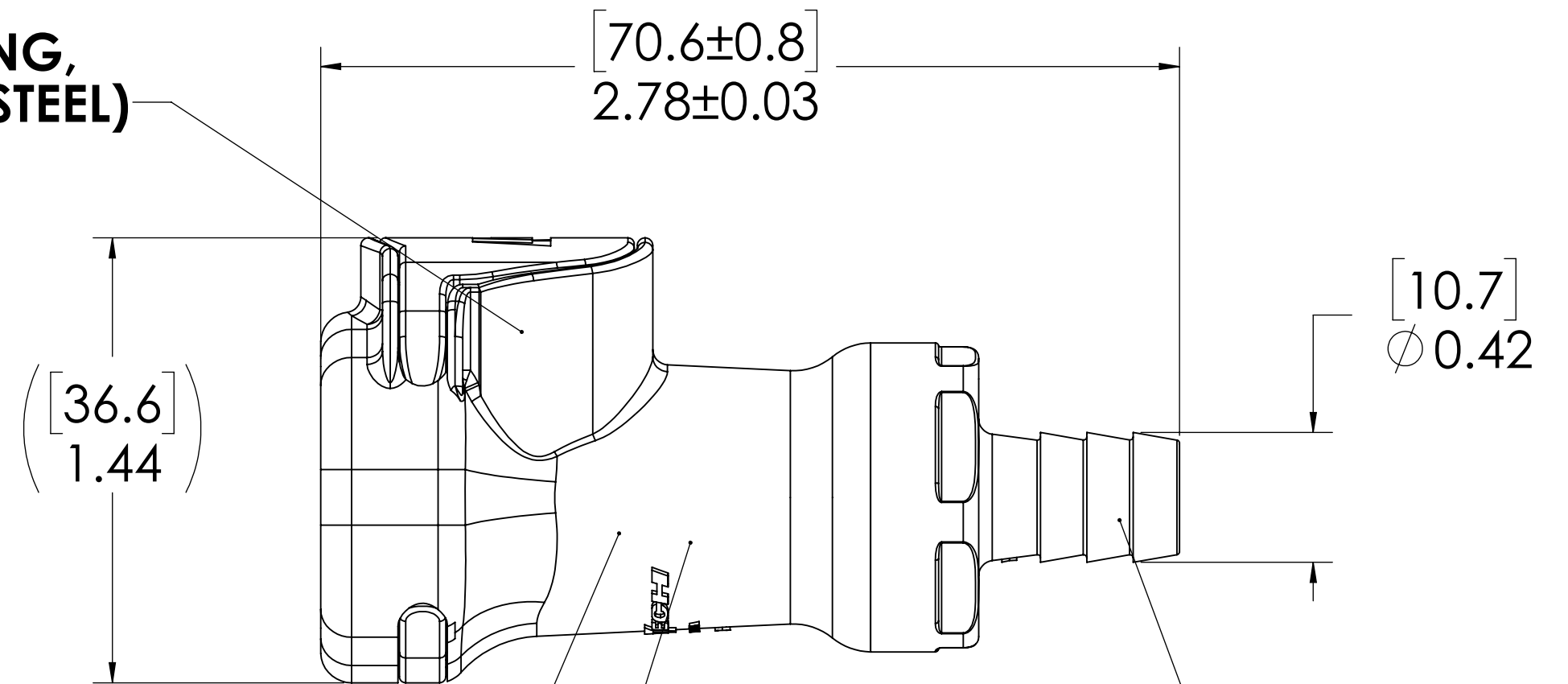


**SOCKET,
(POLYPROPYLENE)**



**VALVE,
(POLYPROPYLENE)**

**LATCH SPRING,
(STAINLESS STEEL)**



**VALVE O-RING,
INTERNAL
(EPDM)**

**VALVE SPRING,
INTERNAL
(STAINLESS STEEL)**

3/8" TUBE ID

NOTES:

- MATERIAL: POLYPROPYLENE
- COLOR: BLACK
- O-RING MATERIAL: EPDM
- O-RINGS LUBRICATED WITH FOOD GRADE SILICONE OIL, 350 CST.

FOR REFERENCE ONLY

UNLESS OTHERWISE SPECIFIED:		NAME	DATE	LINKTECH AN OESIS COMPANY
DIMENSIONS ARE IN INCHES TOLERANCES: FRACTIONAL ± 1/32 ANGULAR: MACH ± 0.5 BEND ± 2 ONE PLACE DECIMAL ± 0.1 TWO PLACE DECIMAL ± 0.01 THREE PLACE DECIMAL ± 0.005 TWO PLACE DUAL (mm) [± 0.12]		DRAWN	ER	
PROPRIETARY AND CONFIDENTIAL THE INFORMATION CONTAINED IN THIS DRAWING IS THE SOLE PROPERTY OF LINKTECH LLC. ANY REPRODUCTION OR DISCLOSURE IN PART OR AS A WHOLE WITHOUT THE WRITTEN PERMISSION OF LINKTECH LLC IS STRICTLY PROHIBITED.		CHECKED	HRC	08-18-17
		ENG APPR.	HRC	8/9/18
		MFG APPR.	BDB	8/9/18
Q.A.		JJB	8/9/18	PART NO: 60PPV-SE2-06BLK DESCRIPTION: LinkTech 60PP Series Straight Female, Valved, 3/8" HB, Molded Black Color, Polypropylene
COMMENTS:				
SIZE	DWG. NO.	REV		
C	60PP600136	A		
SCALE: NTS	WEIGHT:	SHEET 1 OF 1		