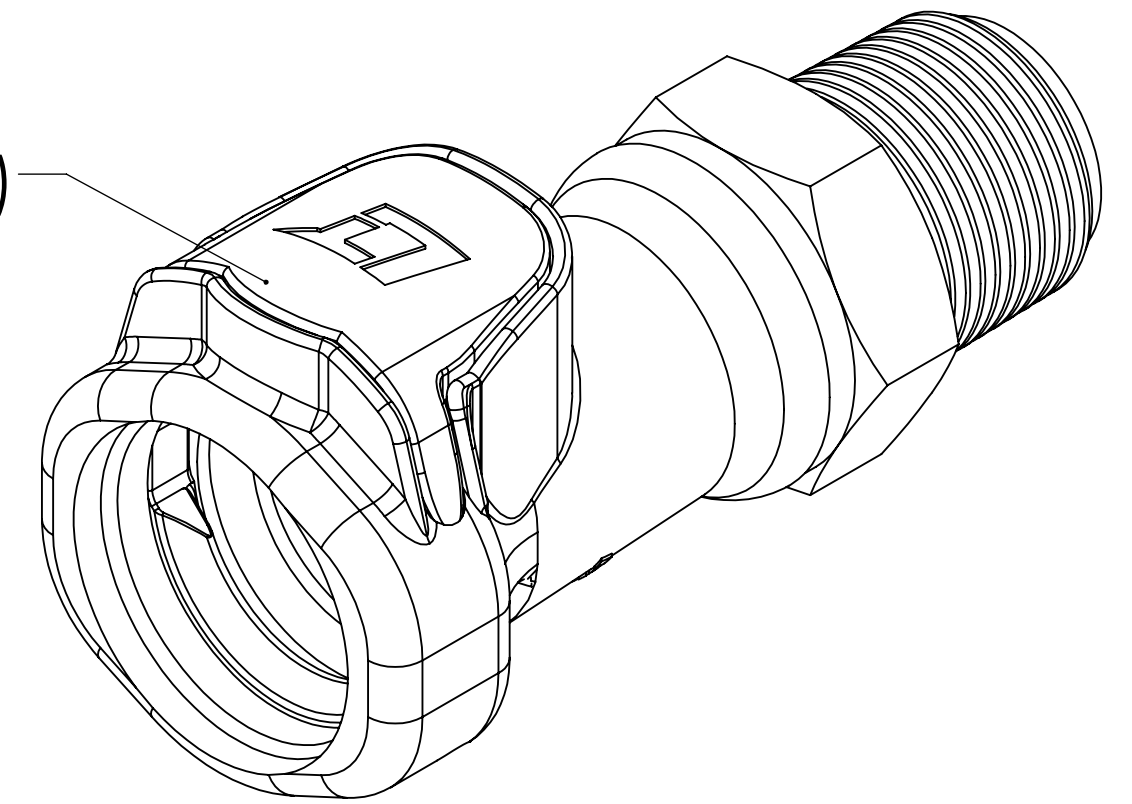
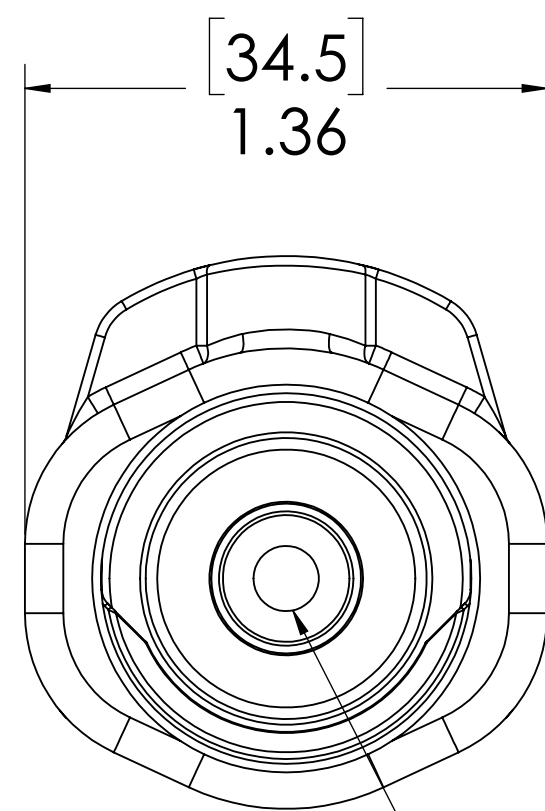
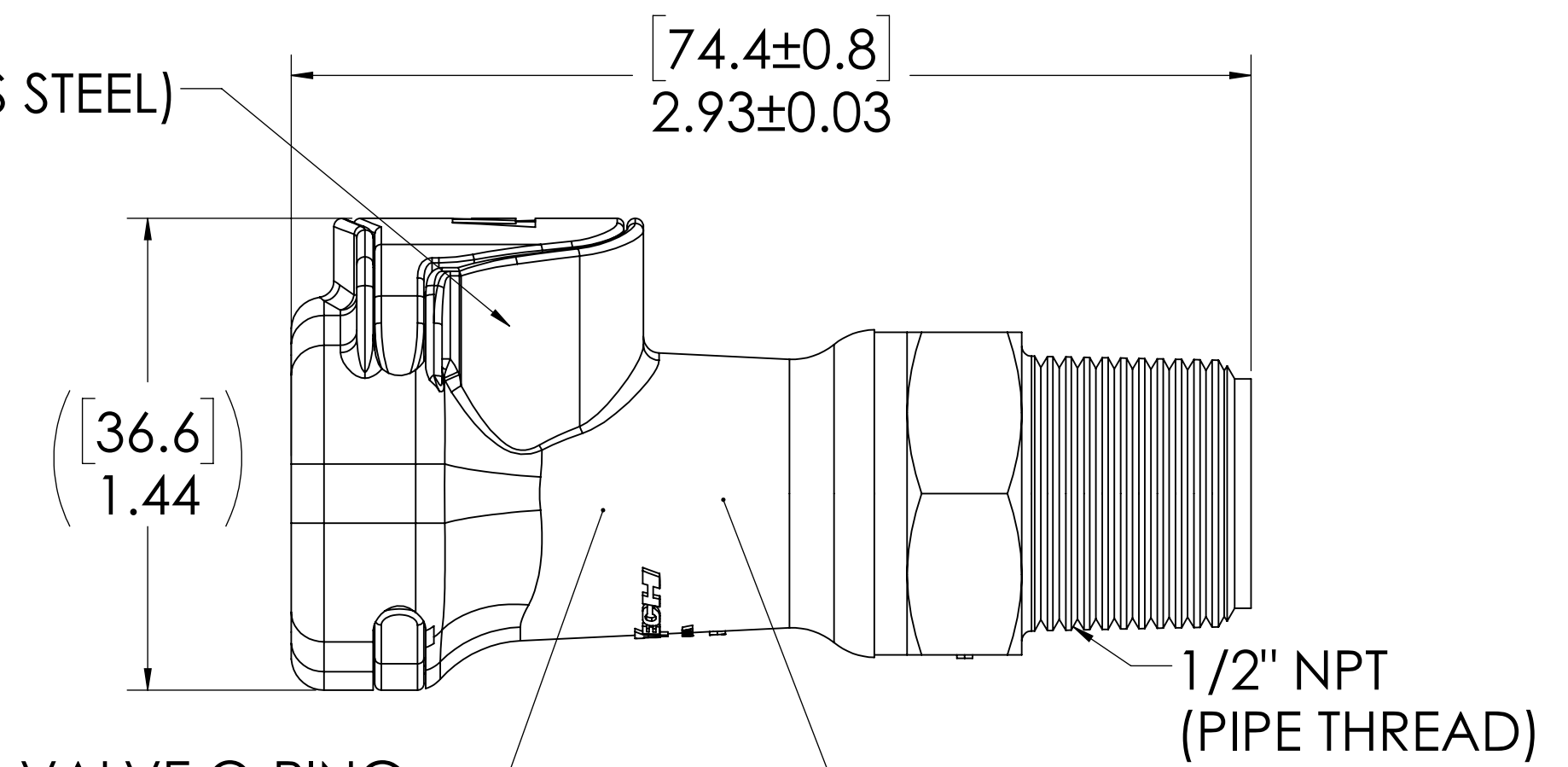


REVISIONS						
SHEET	ZONE	REV.	ECO	DESCRIPTION	DATE	APPROVED
1	A-8	A	ADDED O-RING LUBRICATION NOTE	6/20/2014	HRC
1	C-7	A	UPDATED LATCH SPRING	6/20/2014	HRC
1	ALL	A	50093	INITIAL RELEASE	9/10/2014	HRC
1	ALL	B	50253	DWG FORMAT UPDATE	4/25/2018	HRC

SOCKET,
(POLYPROPYLENE)



LATCH SPRING,
INTERNAL
(STAINLESS STEEL)



VALVE,
(POLYPROPYLENE)

VALVE O-RING,
INTERNAL
(EPDM)

VALVE SPRING,
INTERNAL
(STAINLESS STEEL)

1/2" NPT
(PIPE THREAD)

NOTES:

1. MATERIAL: POLYPROPYLENE
2. COLOR: GREY
3. O-RING MATERIAL: EPDM
4. O-RINGS LUBRICATED WITH FOOD GRADE SILICONE OIL, 350 CST.

FOR REFERENCE ONLY

<small>UNLESS OTHERWISE SPECIFIED: DIMENSIONS ARE IN INCHES TOLERANCES: FRACTIONAL ± 1/32 ANGULAR: MACH ± 0.5 BEND ± 2 ONE PLACE DECIMAL ± 0.1 TWO PLACE DECIMAL ± 0.01 THREE PLACE DECIMAL ± 0.005 TWO PLACE DUAL (mm) [± 0.12]</small>	DRAWN	HRC	8-26-13	
	CHECKED	HRC	8-26-13	
	ENG APPR.	HRC	4/25/18	
	MFG APPR.	BDB	4/25/18	
<small>PROPRIETARY AND CONFIDENTIAL THE INFORMATION CONTAINED IN THIS DRAWING IS THE SOLE PROPERTY OF LINKTECH LLC. ANY REPRODUCTION OR DISCLOSURE IN PART OR AS A WHOLE WITHOUT THE WRITTEN PERMISSION OF LINKTECH LLC IS STRICTLY PROHIBITED.</small>	PURCHASING	RK	4/25/18	PART NO: 60PPV-SE1-08 DESCRIPTION: LinkTech 60PP Series Male Threaded Female, Valved, 1/2" MNPT, Polypropylene
<small>COMMENTS:</small>		SIZE DWG. NO. REV C 60PP600073 B	SCALE: NTS WEIGHT: SHEET 1 OF 1	