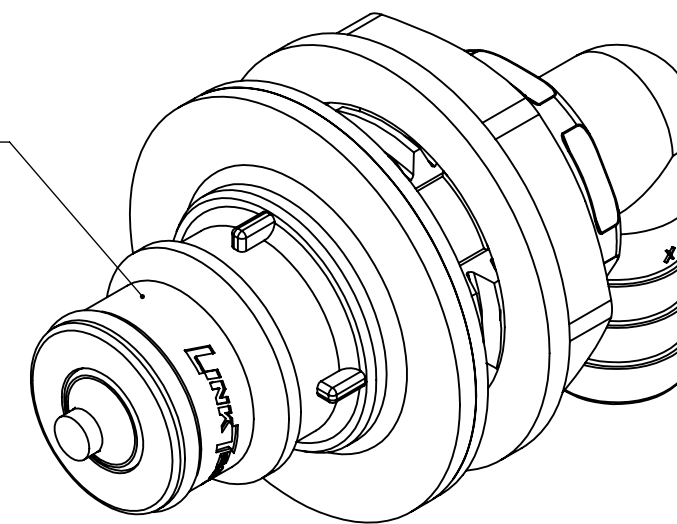
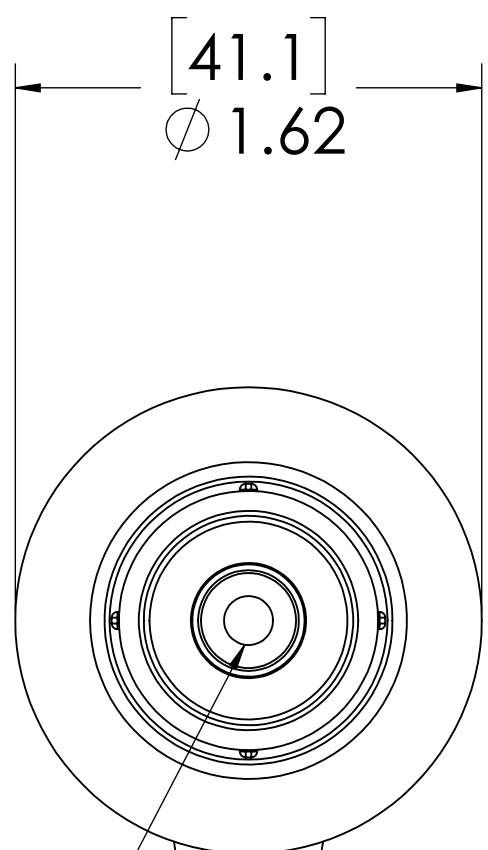


REVISIONS						
SHEET	ZONE	REV.	ECO	DESCRIPTION	DATE	APPROVED
1	ALL	A	50257	INITIAL RELEASE	6/26/2018	HRC

PLUG,  
(POLYPROPYLENE)



VALVE,  
(POLYPROPYLENE)



1/2" TUBE ID  
[13.8]  
Ø 0.55

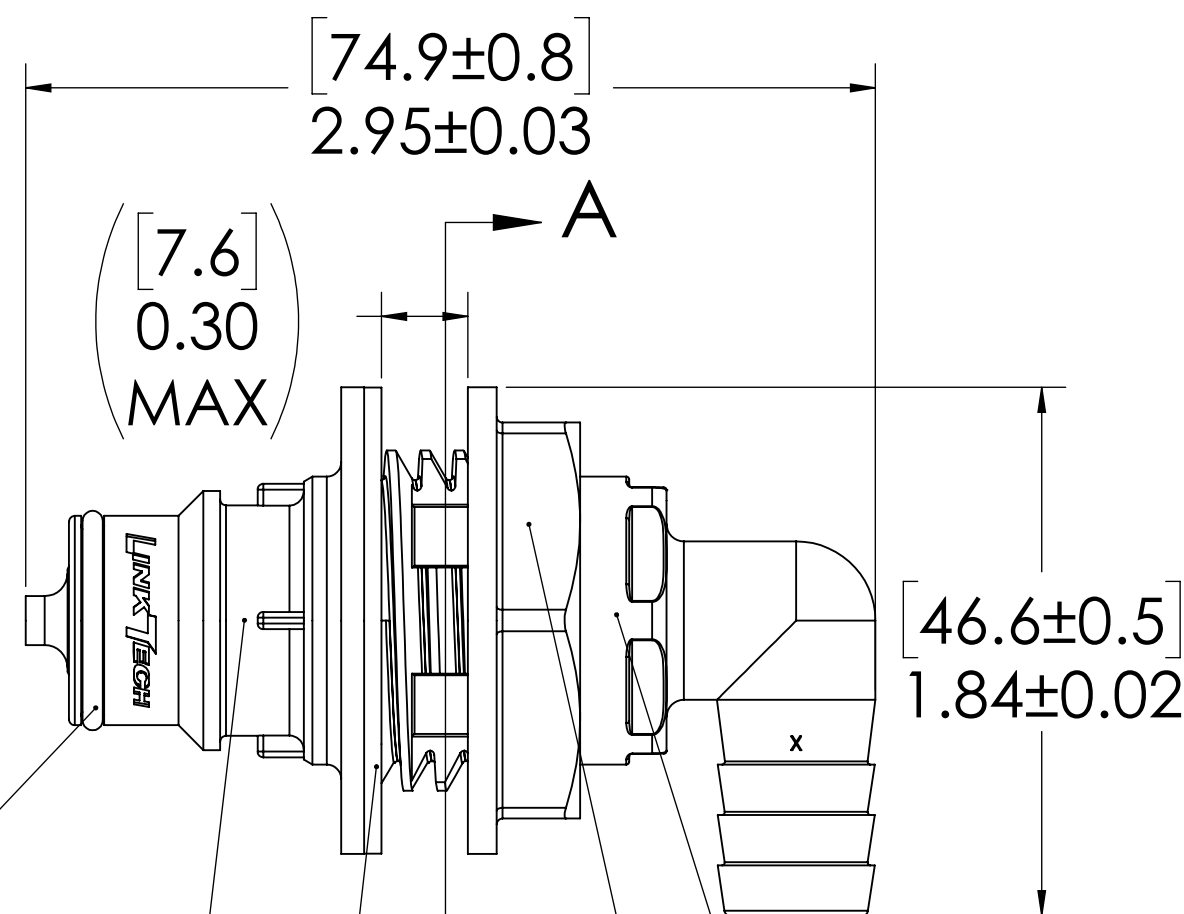
O-RING,  
(EPDM)

VALVE O-RING,  
INTERNAL  
(EPDM)

GASKET,  
(EPDM)

VALVE SPRING,  
INTERNAL  
(STAINLESS STEEL)

PANEL NUT,  
(POLYPROPYLENE)



PANEL OPENING  
(SECTION A-A)

[30.7<sup>+0.3</sup>  
0]  
Ø 1.21<sup>+0.01</sup>  
-0.00

**FOR REFERENCE ONLY**

- NOTES:**
1. MATERIAL: POLYPROPYLENE
  2. COLOR: BLACK
  3. O-RING MATERIAL: EPDM
  4. O-RINGS LUBRICATED WITH FOOD GRADE SILICONE OIL, 350 CST.

UNLESS OTHERWISE SPECIFIED: DIMENSIONS ARE IN INCHES TOLERANCES: FRACTIONAL ± 1/32 ANGULAR: MACH ± 0.5 BEND ± 2 ONE PLACE DECIMAL ± 0.1 TWO PLACE DECIMAL ± 0.01 THREE PLACE DECIMAL ± 0.005 TWO PLACE DUAL (mm) [± 0.12]	DRAWN	C.DAVIS	7/6/15		
	CHECKED	CKE	6/26/18		PART NO: 60PPV-PE22-08BLK
	ENG APPR.	HRC	6/26/18		DESCRIPTION: LinkTech 60PP Series Panel Mt. Male, Valved 1/2" HB Elbow, Molded Black Color, Polypropylene
	MFG APPR.	BDB	6/26/18		SIZE DWG. NO. REV C 60PP600113 A
PRODUCTION	LAS	6/26/18	SCALE: NTS WEIGHT: SHEET 1 OF 1		
PROPRIETARY AND CONFIDENTIAL THE INFORMATION CONTAINED IN THIS DRAWING IS THE SOLE PROPERTY OF LINKTECH LLC. ANY REPRODUCTION OR DISCLOSURE IN PART OR AS A WHOLE WITHOUT THE WRITTEN PERMISSION OF LINKTECH LLC IS STRICTLY PROHIBITED.					