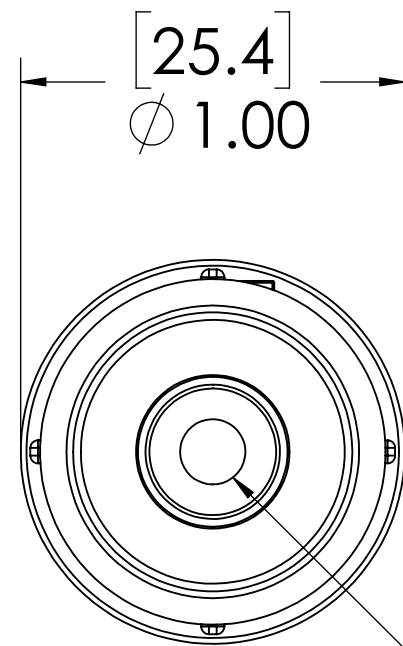
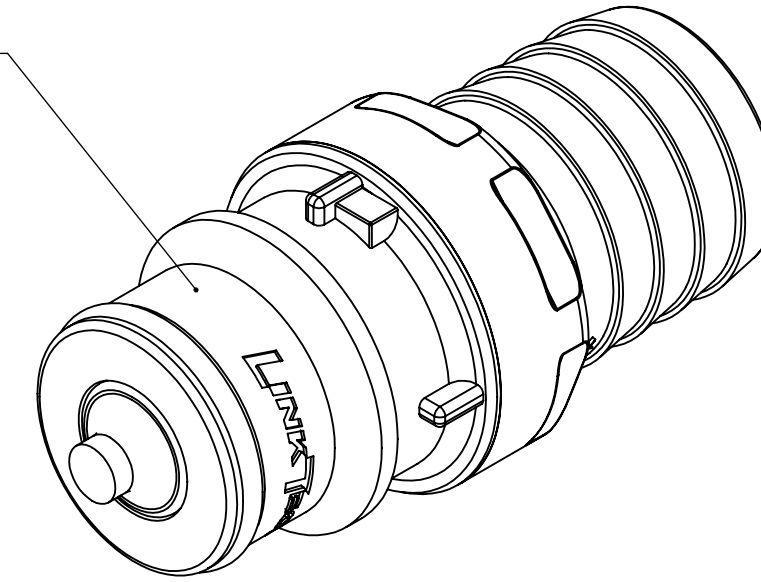
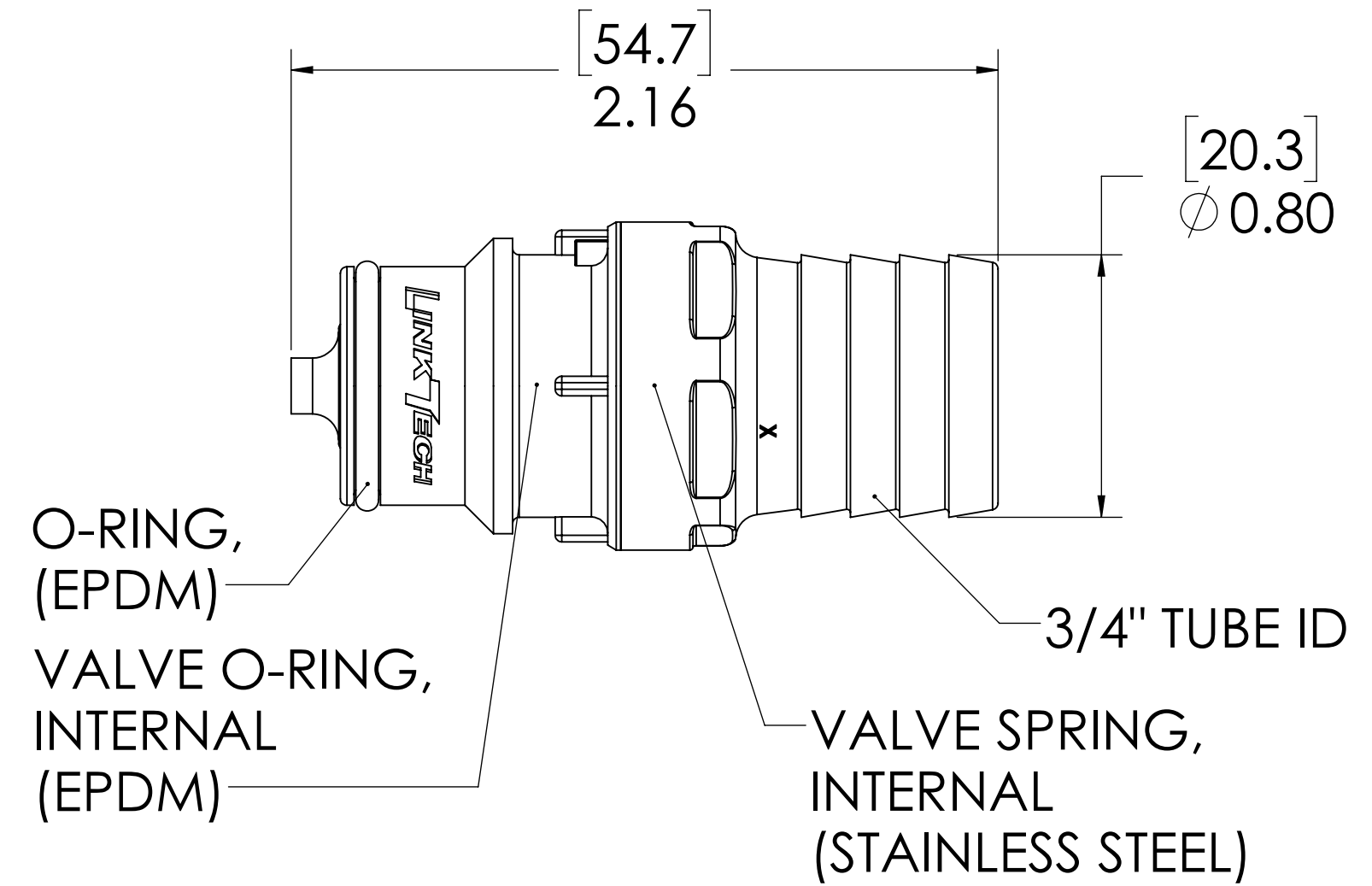


| REVISIONS |      |      |       |                               |           |          |
|-----------|------|------|-------|-------------------------------|-----------|----------|
| SHEET     | ZONE | REV. | ECO   | DESCRIPTION                   | DATE      | APPROVED |
| 1         | A-8  | A    | ..... | ADDED O-RING LUBRICATION NOTE | 6/19/2014 | HRC      |
| 1         | ALL  | A    | 50093 | INITIAL RELEASE               | 9/10/2014 | HRC      |
| 1         | ALL  | B    | 50257 | O-RING AND DWG FORMAT UPDATE  | 3/5/2018  | HRC      |

PLUG,  
(POLYPROPYLENE)



VALVE,  
(POLYPROPYLENE)



**NOTES:**

- MATERIAL: POLYPROPYLENE
- COLOR: GREY
- O-RING MATERIAL: EPDM
- O-RINGS LUBRICATED WITH FOOD GRADE SILICONE OIL, 350 CST.

**FOR REFERENCE ONLY**

|  |           |     |          |   |
|--|-----------|-----|----------|---|
| <small>UNLESS OTHERWISE SPECIFIED:<br/>DIMENSIONS ARE IN INCHES<br/>TOLERANCES:<br/>FRACTIONAL ± 1/32<br/>ANGULAR: MACH ± 0.5 BEND ± 2<br/>ONE PLACE DECIMAL ± 0.1<br/>TWO PLACE DECIMAL ± 0.01<br/>THREE PLACE DECIMAL ± 0.005<br/>TWO PLACE DUAL (mm) [± 0.12]</small> | DRAWN     | HRC | 8/26/13  |   |
|  | CHECKED   | HRC | 8/26/13  |   |
|  | ENG APPR. | HRC | 3/5/2018 | <b>PART NO:</b> 60PPV-PE2-12<br><b>DESCRIPTION:</b><br>LinkTech 60PP Series Straight Male, Valved<br>3/4" HB, Polypropylene |
|  | MFG APPR. | BDB | 3/5/2018 |   |
| <small>PROPRIETARY AND CONFIDENTIAL<br/>THE INFORMATION CONTAINED IN THIS DRAWING IS THE SOLE PROPERTY OF LINKTECH LLC. ANY REPRODUCTION OR DISCLOSURE IN PART OR AS A WHOLE WITHOUT THE WRITTEN PERMISSION OF LINKTECH LLC IS STRICTLY PROHIBITED.</small>              | Q.A.      | JJB | 3/5/2018 | <b>SIZE</b> DWG. NO. <b>REV</b><br><b>C</b> 60PP600066 <b>B</b>   |
|  | COMMENTS: |     |          | SCALE: NTS WEIGHT: SHEET 1 OF 1   |