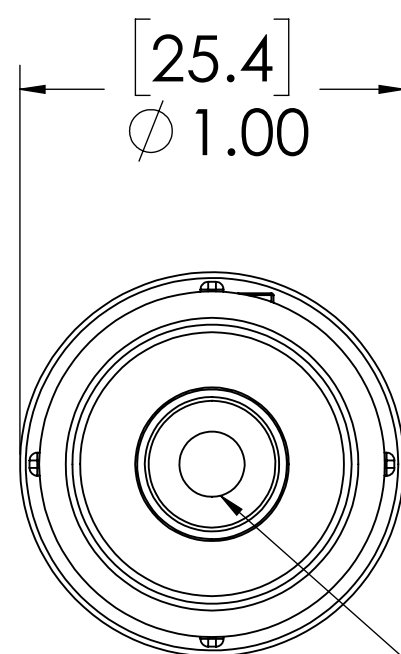
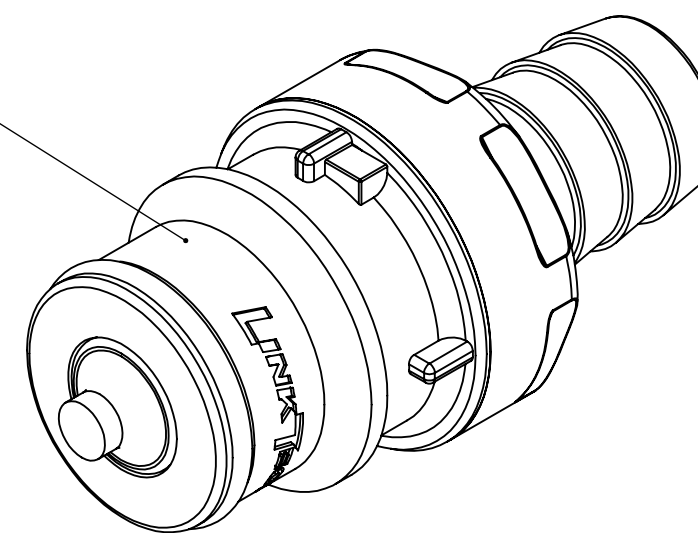
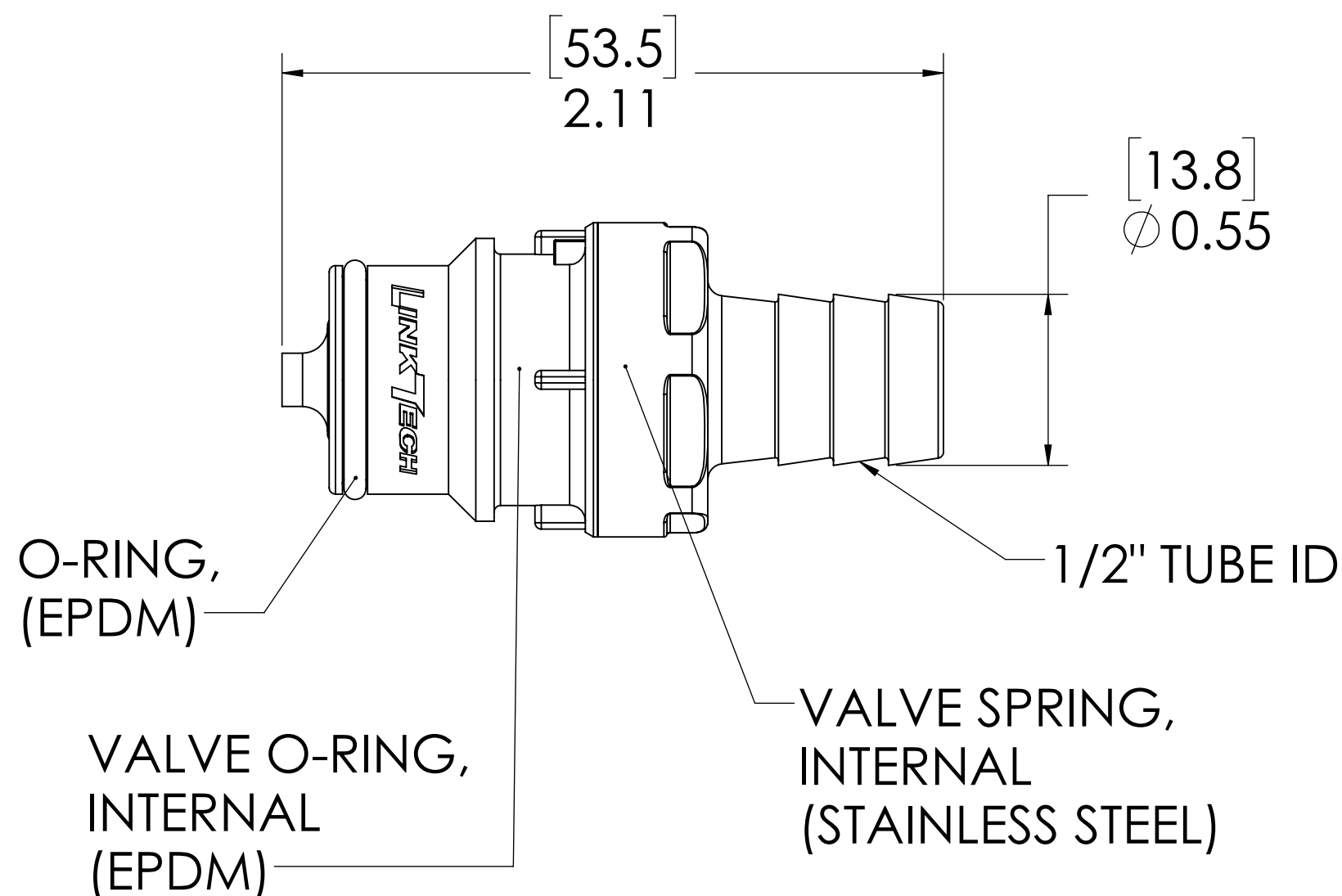


REVISIONS						
SHEET	ZONE	REV.	ECO	DESCRIPTION	DATE	APPROVED
1	ALL	A	....	ADDED O-RING LUBRICATION NOTE	6/19/2014	HRC
1	ALL	A	50093	INITIAL RELEASE	9/10/2014	HRC
ALL	ALL	B	50257	O-RING AND DWG FORMAT UPDATE	3/5/2018	HRC

PLUG,  
(POLYPROPYLENE)



VALVE,  
(POLYPROPYLENE)



**NOTES:**

- MATERIAL: POLYPROPYLENE
- COLOR: GREY
- O-RING MATERIAL: EPDM
- O-RINGS LUBRICATED WITH FOOD GRADE SILICONE OIL, 350 CST.

**FOR REFERENCE ONLY**

<small>UNLESS OTHERWISE SPECIFIED: DIMENSIONS ARE IN INCHES TOLERANCES: FRACTIONAL ± 1/32 ANGULAR: MACH ± 0.5 BEND ± 2 ONE PLACE DECIMAL ± 0.1 TWO PLACE DECIMAL ± 0.01 THREE PLACE DECIMAL ± 0.005 TWO PLACE DUAL (mm) [± 0.12]</small>	DRAWN	HRC	9/20/13	
	CHECKED	HRC	9/20/13	
	ENG APPR.	HRC	3/5/2018	
	MFG APPR.	HRC	3/5/2018	
<small>PROPRIETARY AND CONFIDENTIAL THE INFORMATION CONTAINED IN THIS DRAWING IS THE SOLE PROPERTY OF LINKTECH LLC. ANY REPRODUCTION OR DISCLOSURE IN PART OR AS A WHOLE WITHOUT THE WRITTEN PERMISSION OF LINKTECH LLC IS STRICTLY PROHIBITED.</small>	Q.A.	HRC	3/5/2018	<b>PART NO:</b> 60PPV-PE2-08 <b>DESCRIPTION:</b> LinkTech 60PP Series Straight Male, Valved 1/2" HB, Polypropylene <b>SIZE DWG. NO. REV</b> <b>C 60PP600065 B</b> <b>SCALE: NTS WEIGHT: SHEET 1 OF 1</b>