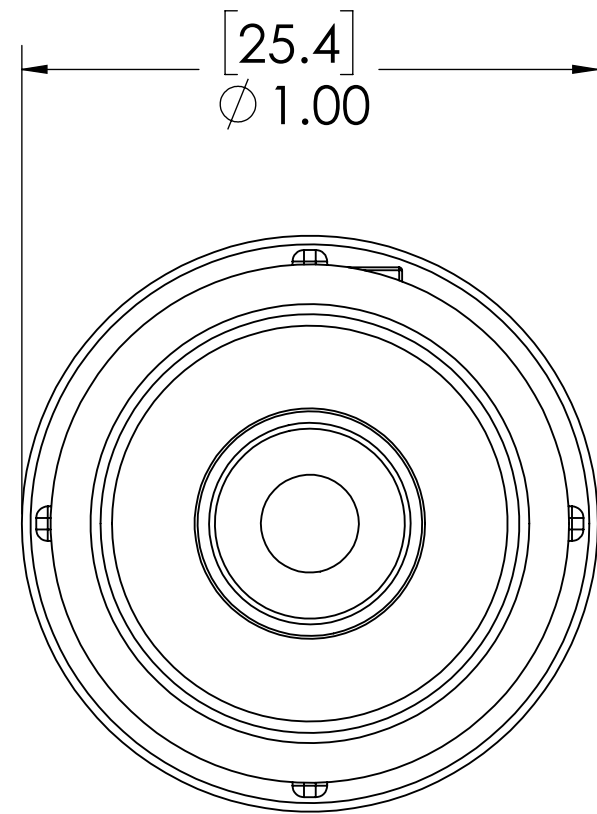
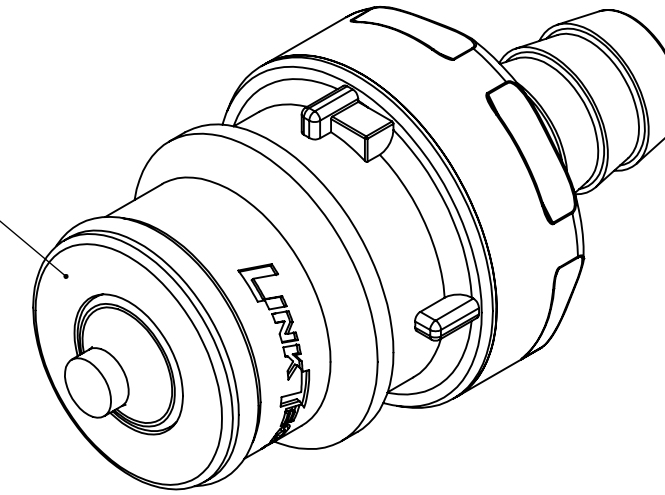


REVISIONS						
SHEET	ZONE	REV.	ECO	DESCRIPTION	DATE	APPROVED
1-D3	1-D3	A	50257	CHANGED O-RING SIZE; UPDATED FORMAT & NOTES	11/20/2017	HRC

PLUG,
(POLYPROPYLENE)

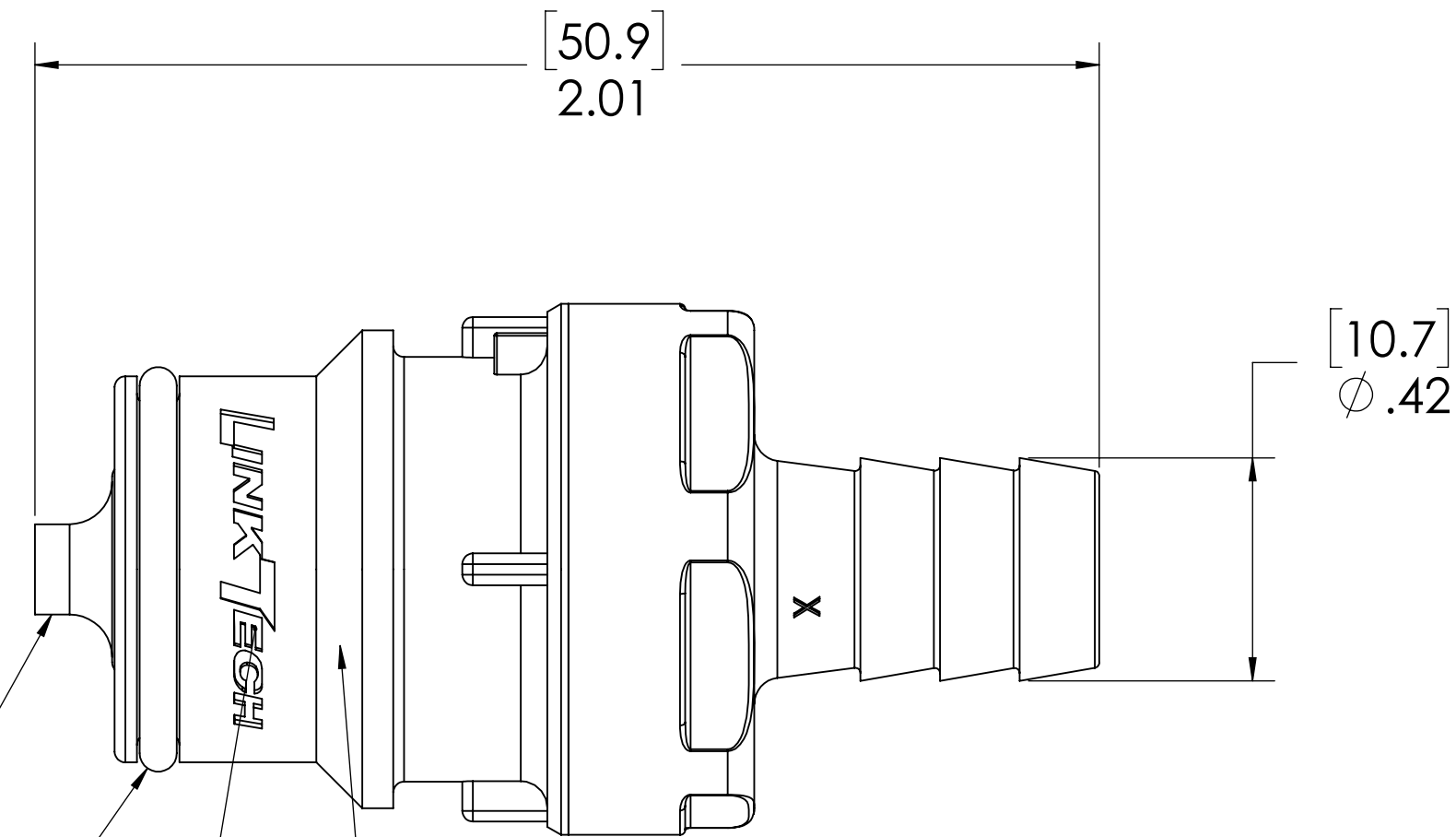


VALVE
(POLYPROPYLENE)

O-RING
(EPDM)

INTERNAL O-RING
(EPDM)

VALVE SPRING
(STAINLESS STEEL)



NOTES:

- MATERIAL: POLYPROPYLENE
- COLOR: BLACK
- O-RING MATERIAL: EPDM
- O-RINGS LUBRICATED WITH FOOD GRADE SILICONE OIL, 350 CST

FOR REFERENCE ONLY

UNLESS OTHERWISE SPECIFIED: DIMENSIONS ARE IN INCHES TOLERANCES: FRACTIONAL ± 1/32 ANGULAR: MACH ± 0.5 BEND ± 2 ONE PLACE DECIMAL ± 0.1 TWO PLACE DECIMAL ± 0.01 THREE PLACE DECIMAL ± 0.005 TWO PLACE DUAL (mm) [± 0.12]	DRAWN	C. DAVIS	09-29-15	
	CHECKED	HRC	09-29-15	
	ENG APPR.	HRC	11-20-17	
	MFG APPR.	BDB	11-20-17	
PRODUCTION	RK	11-20-17		PART NO: 60PPV-PE2-06BLK DESCRIPTION: Linktech 60PP Series Straight Male, Valved, 3/8" HB, Molded Black Color, Polypropylene
PROPRIETARY AND CONFIDENTIAL THE INFORMATION CONTAINED IN THIS DRAWING IS THE SOLE PROPERTY OF LINKTECH LLC. ANY REPRODUCTION OR DISCLOSURE IN PART OR AS A WHOLE WITHOUT THE WRITTEN PERMISSION OF LINKTECH LLC IS STRICTLY PROHIBITED.	COMMENTS:			SCALE: NTS WEIGHT: SHEET 1 OF 1

SIZE DWG. NO. REV
C 60PP600137 A