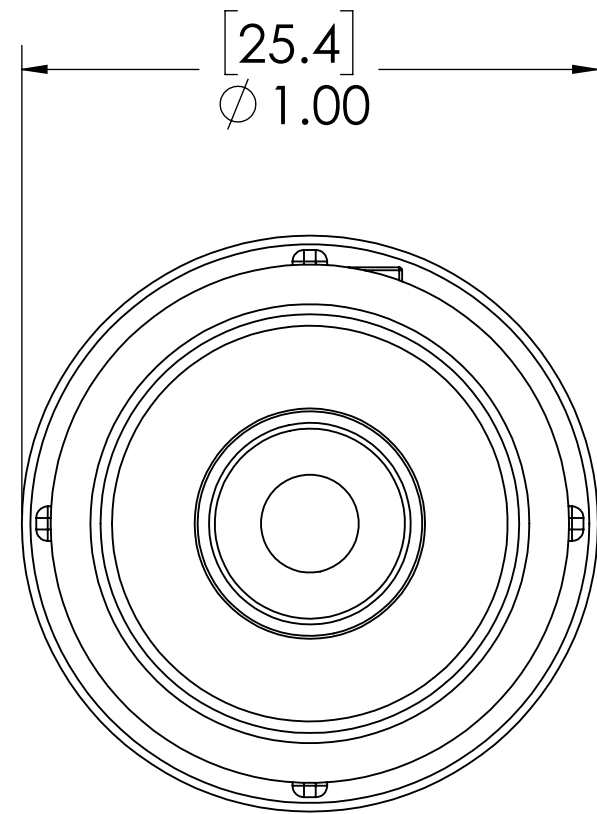
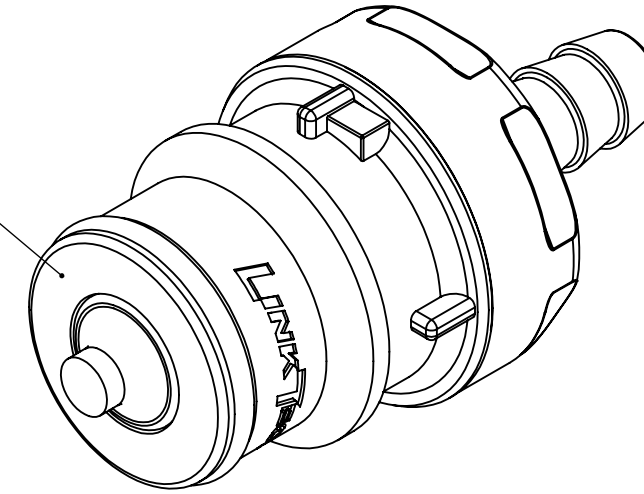


REVISIONS						
SHEET	ZONE	REV.	ECO	DESCRIPTION	DATE	APPROVED
1-D3	1-D3	A	50257	CHANGED O-RING SIZE; UPDATED FORMAT & NOTES	11/20/2017	HRC

PLUG,  
(POLYPROPYLENE)

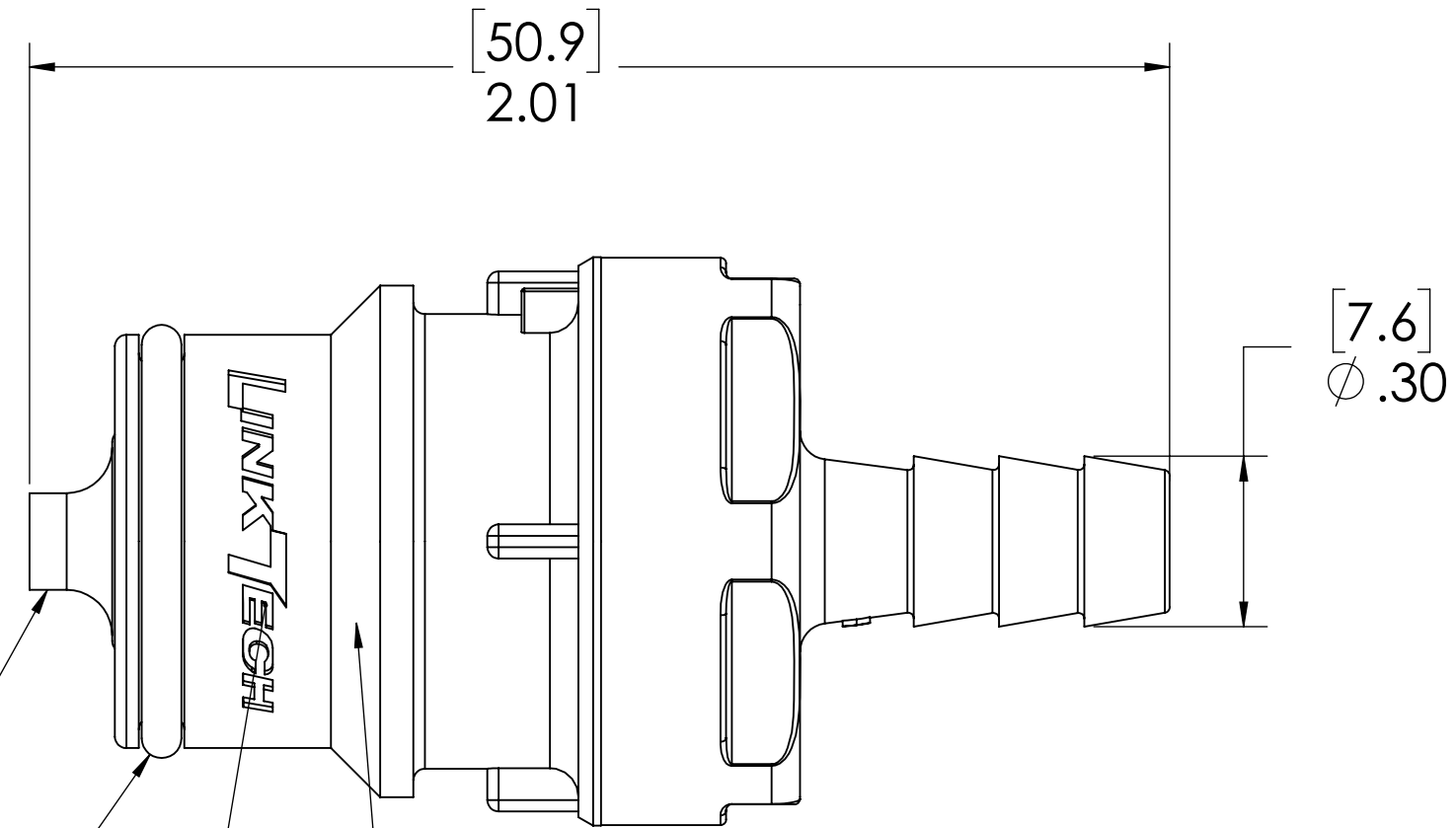


VALVE  
(POLYPROPYLENE)

O-RING  
(EPDM)

INTERNAL O-RING  
(EPDM)

VALVE SPRING  
(STAINLESS STEEL)



**NOTES:**

- MATERIAL: POLYPROPYLENE
- COLOR: BLACK
- O-RING MATERIAL: EPDM
- O-RINGS LUBRICATED WITH FOOD GRADE SILICONE OIL, 350 CST

**FOR REFERENCE ONLY**

<small>UNLESS OTHERWISE SPECIFIED: DIMENSIONS ARE IN INCHES TOLERANCES: FRACTIONAL ± 1/32 ANGULAR: MACH ± 0.5 BEND ± 2 ONE PLACE DECIMAL ± 0.1 TWO PLACE DECIMAL ± 0.01 THREE PLACE DECIMAL ± 0.005 TWO PLACE DUAL (mm) [± 0.12]</small>	DRAWN	C. DAVIS	09-29-15	 PART NO: 60PPV-PE2-04BLK DESCRIPTION: Linktech 60PP Series Straight Male, Valved, 1/4" HB, Molded Black Color, Polypropylene
	CHECKED	HRC	09-29-15	
	ENG APPR.	HRC	11-20-17	
	MFG APPR.	BDB	11-20-17	
<small>PROPRIETARY AND CONFIDENTIAL THE INFORMATION CONTAINED IN THIS DRAWING IS THE SOLE PROPERTY OF LINKTECH LLC. ANY REPRODUCTION OR DISCLOSURE IN PART OR AS A WHOLE WITHOUT THE WRITTEN PERMISSION OF LINKTECH LLC IS STRICTLY PROHIBITED.</small>	Q.A.	JJB	11-20-17	SCALE: NTS WEIGHT: SHEET 1 OF 1
COMMENTS:		REV A DWG. NO. 60PP600115		