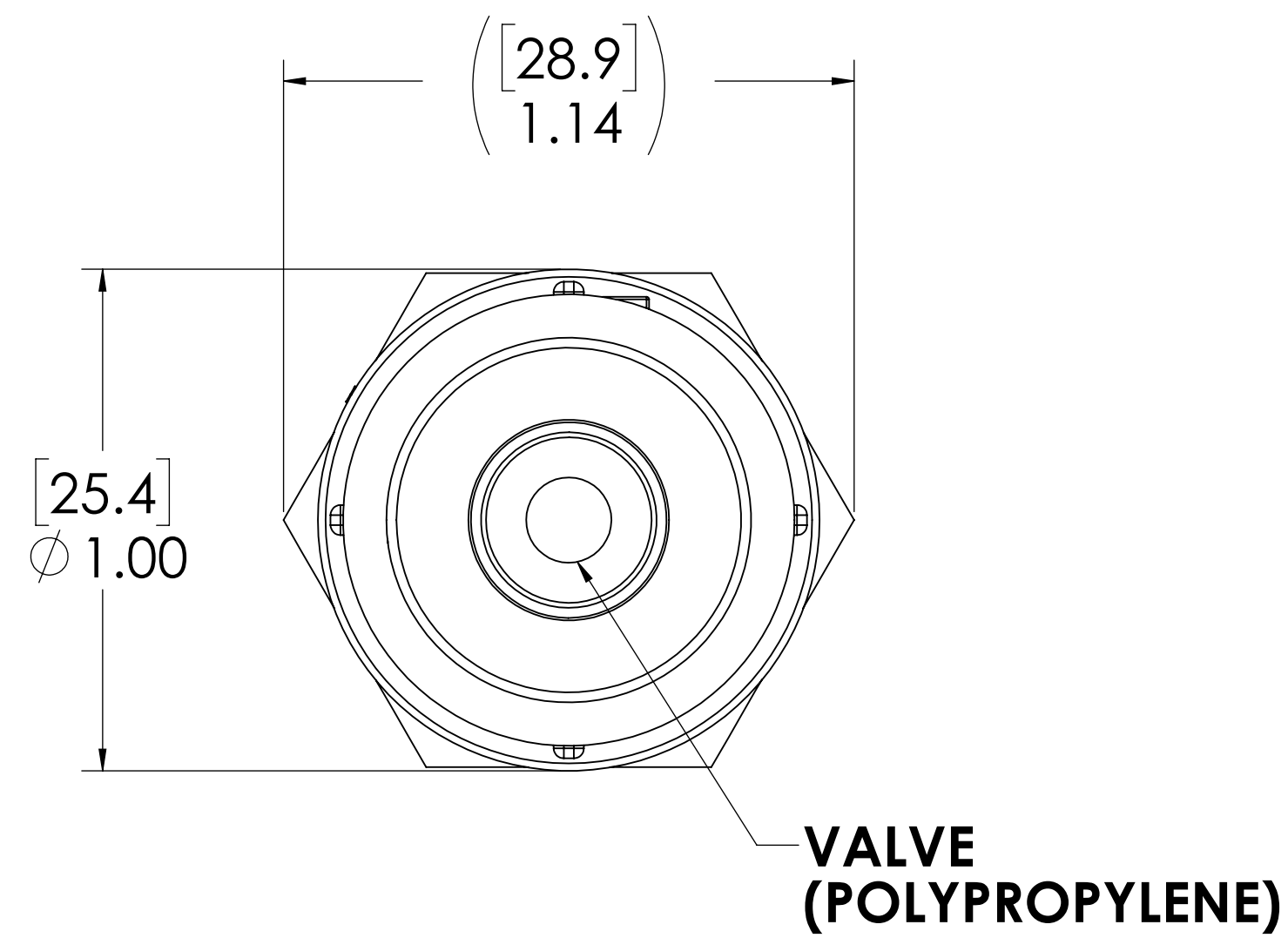
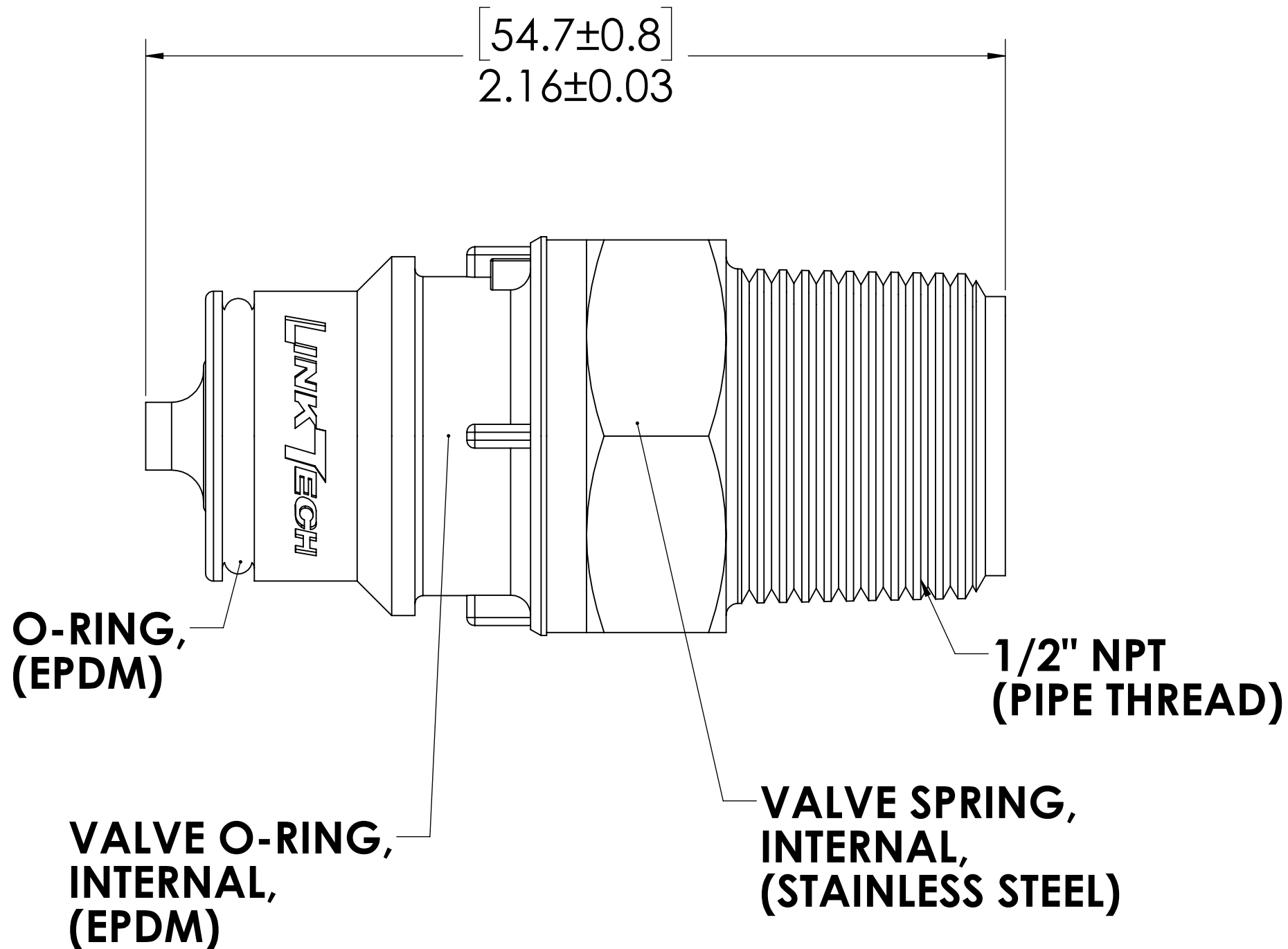
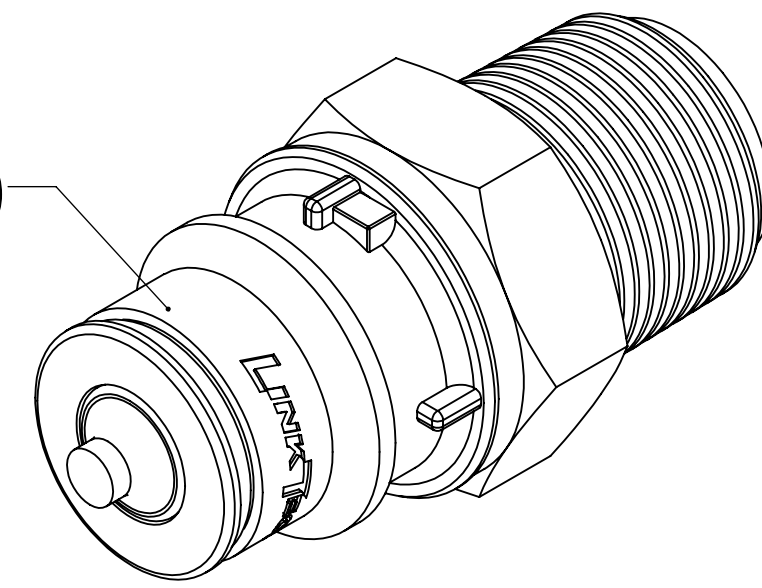


REVISIONS						
SHEET	ZONE	REV.	ECO	DESCRIPTION	DATE	APPROVED
1	ALL	A	50257	O-RING AND DWG FORMAT UPDATE	10/10/2018	HRC



PLUG (POLYPROPYLENE)



- NOTES:**
- MATERIAL: POLYPROPYLENE
 - COLOR: BLACK
 - O-RING MATERIAL: EPDM
 - O-RINGS LUBRICATED WITH FOOD GRADE SILICONE OIL, 350 CST.

FOR REFERENCE ONLY

<small>UNLESS OTHERWISE SPECIFIED: DIMENSIONS ARE IN INCHES TOLERANCES: FRACTIONAL ± 1/32 ANGULAR, MACH ± 0.5 BEND ± 2 ONE PLACE DECIMAL ± 0.1 TWO PLACE DECIMAL ± 0.01 THREE PLACE DECIMAL ± 0.005 TWO PLACE DUAL (mm) [± 0.12]</small>	DRAWN	CGS	1/10/18	
	CHECKED	HRC	1/10/18	
	ENG APPR.	HRC	10/10/18	
	MFG APPR.	BDB	10/10/18	
PRODUCTION	LS	10/10/18		PART NO: 60PPV-PE1-08BLK DESCRIPTION: LinkTech 60PP Series Male Thread Male, Valved, 1/2" MNPT, Molded Black Color, Polypropylene
<small>PROPRIETARY AND CONFIDENTIAL THE INFORMATION CONTAINED IN THIS DRAWING IS THE SOLE PROPERTY OF LINKTECH LLC. ANY REPRODUCTION OR DISCLOSURE IN PART OR AS A WHOLE WITHOUT THE WRITTEN PERMISSION OF LINKTECH LLC IS STRICTLY PROHIBITED.</small>				SCALE: NTS WEIGHT: SHEET 1 OF 1

SIZE	DWG. NO.	REV
C	60PP600110	A