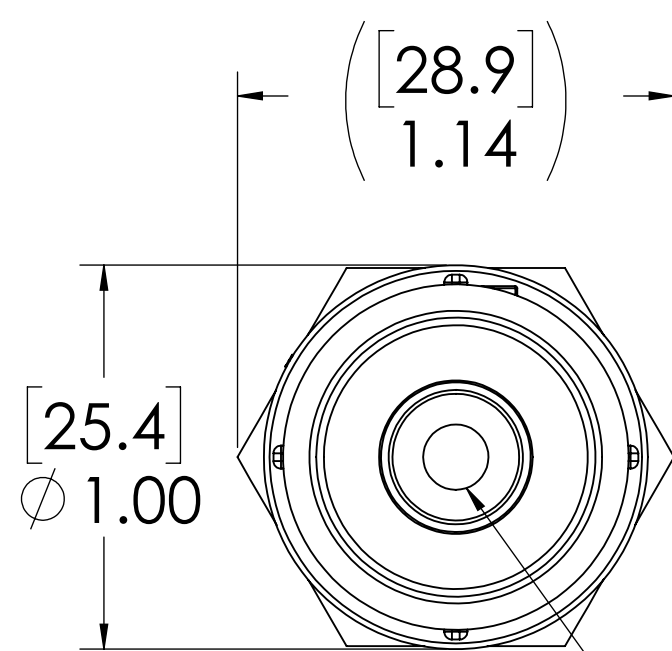
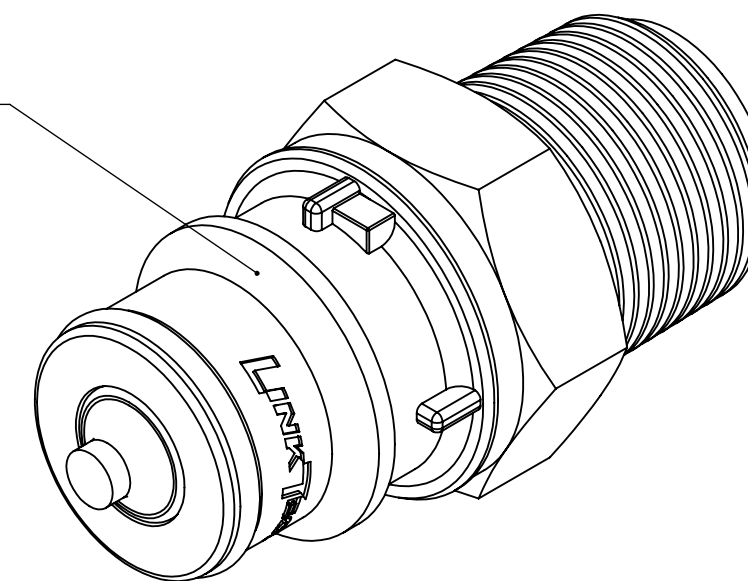
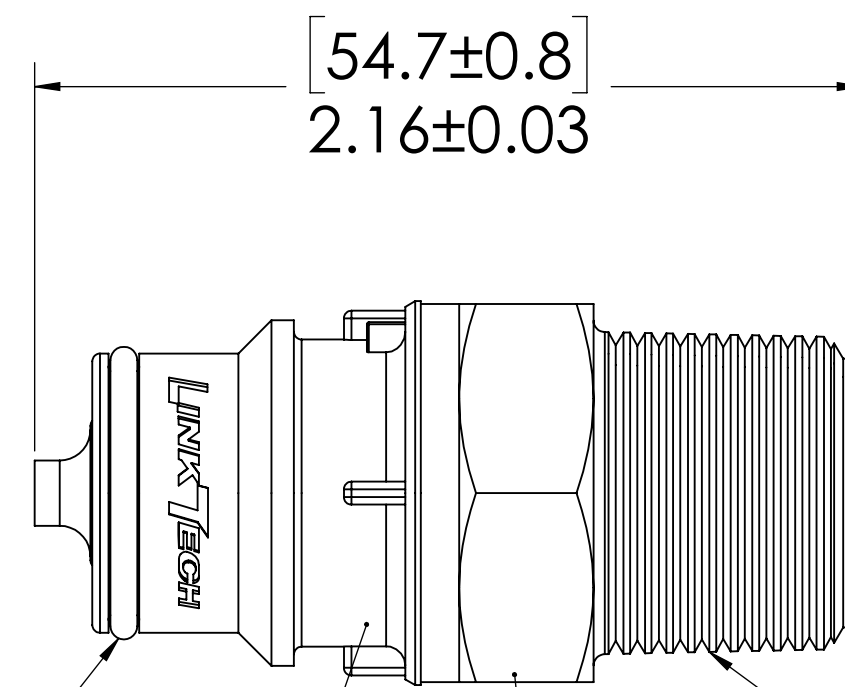


REVISIONS						
SHEET	ZONE	REV.	ECO	DESCRIPTION	DATE	APPROVED
1	A-8	A	.....	ADDED O-RING LUBRICATION NOTE	6/19/2014	HRC
1	ALL	A	50093	INITIAL RELEASE	9/10/2014	HRC
1	ALL	B	50257	O-RING AND DWG FORMAT UPDATE	06/12/2018	HRC

PLUG,  
(POLYPROPYLENE)



VALVE,  
(POLYPROPYLENE)



O-RING,  
(EPDM)

VALVE O-RING,  
INTERNAL  
(EPDM)

1/2" NPT  
(PIPE THREAD)

VALVE SPRING,  
INTERNAL  
(STAINLESS STEEL)

**NOTES:**

- MATERIAL: POLYPROPYLENE
- COLOR: GREY
- O-RING MATERIAL: EPDM
- O-RINGS LUBRICATED WITH FOOD GRADE SILICONE OIL, 350 CST.

**FOR REFERENCE ONLY**

<small>UNLESS OTHERWISE SPECIFIED: DIMENSIONS ARE IN INCHES TOLERANCES: FRACTIONAL ± 1/32 ANGULAR: MACH ± 0.5 BEND ± 2 ONE PLACE DECIMAL ± 0.1 TWO PLACE DECIMAL ± 0.01 THREE PLACE DECIMAL ± 0.005 TWO PLACE DUAL (mm) [± 0.12]</small>	DRAWN	HRC	8/26/13	
	CHECKED	CKE	6/12/18	
	ENG APPR.	HRC	6/12/18	
	MFG APPR.	BDB	6/12/18	
PRODUCTION	LAS	6/12/18		
<small>PROPRIETARY AND CONFIDENTIAL THE INFORMATION CONTAINED IN THIS DRAWING IS THE SOLE PROPERTY OF LINKTECH LLC. ANY REPRODUCTION OR DISCLOSURE IN PART OR AS A WHOLE WITHOUT THE WRITTEN PERMISSION OF LINKTECH LLC IS STRICTLY PROHIBITED.</small>				
<small>COMMENTS:</small>				<b>PART NO:</b> 60PPV-PE1-08  <b>DESCRIPTION:</b> LinkTech 60PP Series Male Thread Male, Valved, 1/2" MNPT, Polypropylene
<b>SIZE</b> C	<b>DWG. NO.</b> 60PP600062	<b>REV</b> B		
<b>SCALE:</b> NTS		<b>WEIGHT:</b>	<b>SHEET 1 OF 1</b>	