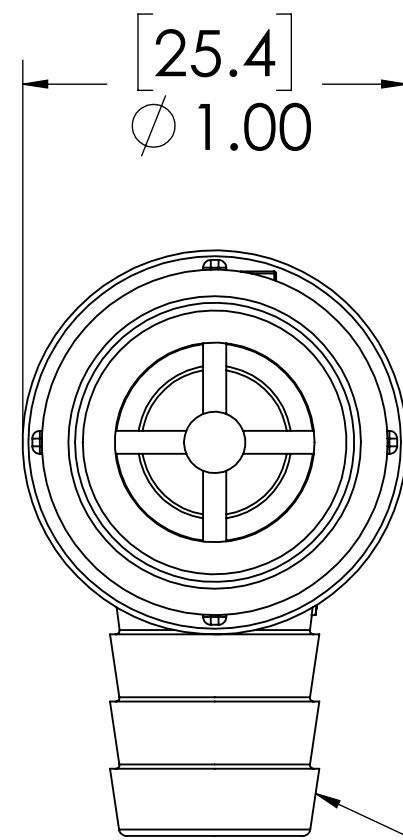
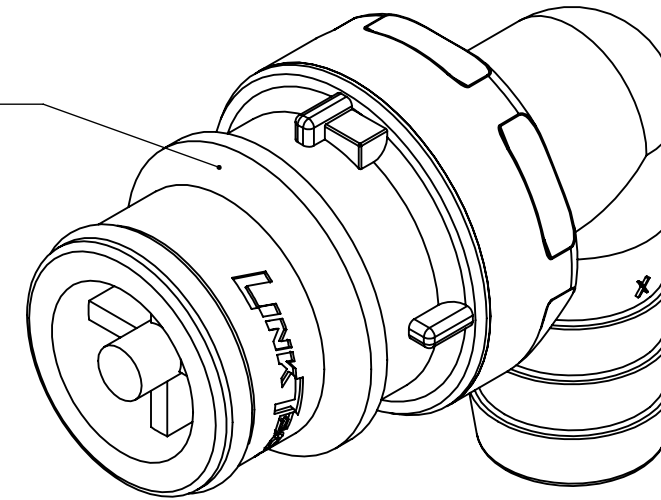


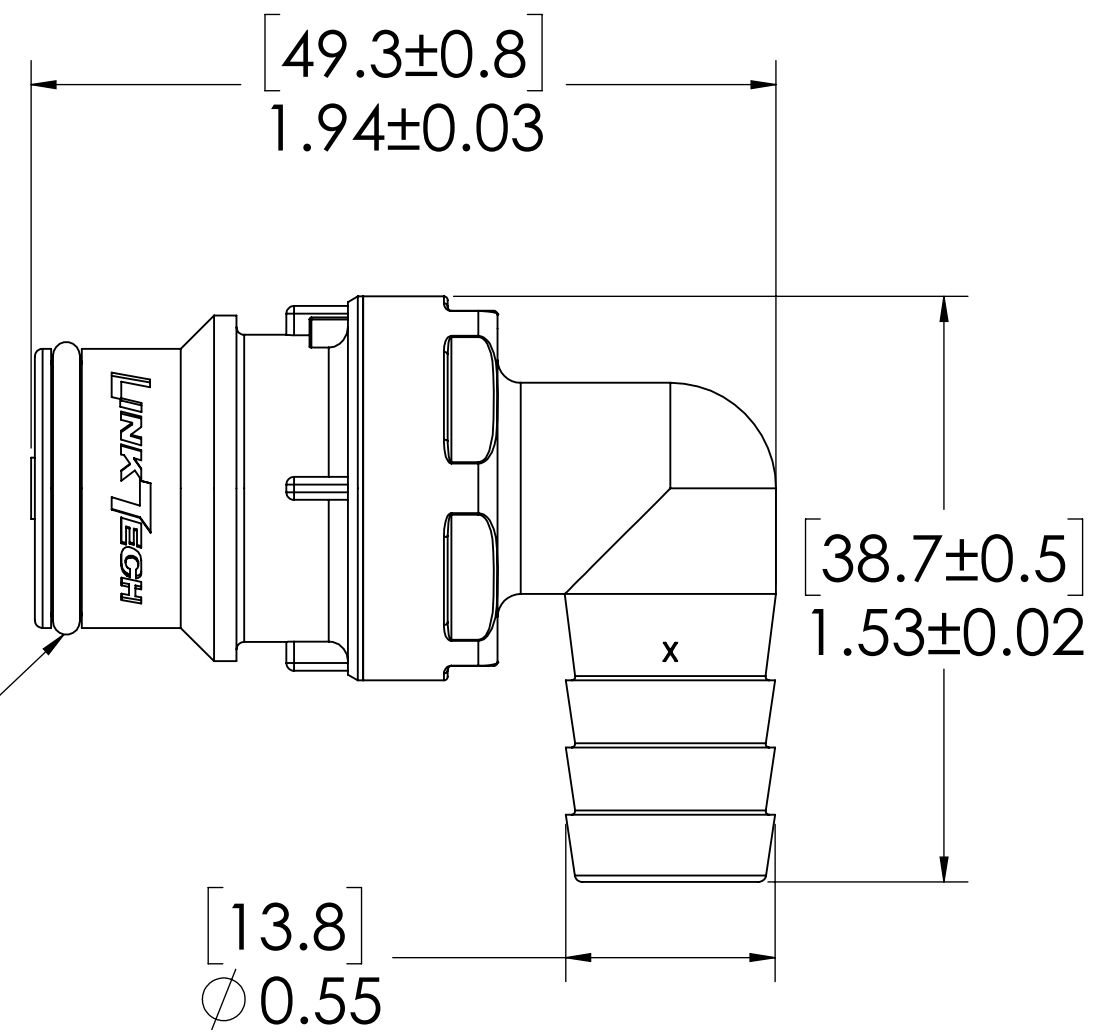
REVISIONS						
SHEET	ZONE	REV.	ECO	DESCRIPTION	DATE	APPROVED
1	ALL	A	ADDED O-RING LUBRICATION NOTE	6/19/2014	HRC
1	ALL	A	50093	INITIAL RELEASE	9/10/2014	HRC
1	ALL	B	50257	O-RING AND DWG FORMAT UPDATE	06/12/2018	HRC

PLUG,
(POLYPROPYLENE)



1/2" TUBE ID

O-RING,
(EPDM)



NOTES:

1. MATERIAL: POLYPROPYLENE
2. COLOR: GREY
3. O-RING MATERIAL: EPDM
4. O-RINGS LUBRICATED WITH FOOD GRADE SILICONE OIL, 350 CST.

FOR REFERENCE ONLY

<small>UNLESS OTHERWISE SPECIFIED: DIMENSIONS ARE IN INCHES TOLERANCES: FRACTIONAL ± 1/32 ANGULAR: MACH ± 0.5 BEND ± 2 ONE PLACE DECIMAL ± 0.1 TWO PLACE DECIMAL ± 0.01 THREE PLACE DECIMAL ± 0.005 TWO PLACE DUAL (mm) [± 0.12]</small>	DRAWN	HRC	8/20/13	 PART NO: 60PP-PE4-08 DESCRIPTION: LinkTech 60PP Series Elbow Male, Non-valved 1/2" HB, Polypropylene						
	CHECKED	CKE	6/12/18							
	ENG APPR.	HRC	6/12/18							
	MFG APPR.	BDB	6/12/18							
PRODUCTION	LAS	6/12/18	COMMENTS:	<table border="1"> <tr> <td>SIZE</td> <td>DWG. NO.</td> <td>REV</td> </tr> <tr> <td>C</td> <td>60PP600049</td> <td>B</td> </tr> </table>	SIZE	DWG. NO.	REV	C	60PP600049	B
SIZE	DWG. NO.	REV								
C	60PP600049	B								
<small>PROPRIETARY AND CONFIDENTIAL THE INFORMATION CONTAINED IN THIS DRAWING IS THE SOLE PROPERTY OF LINKTECH LLC. ANY REPRODUCTION OR DISCLOSURE IN PART OR AS A WHOLE WITHOUT THE WRITTEN PERMISSION OF LINKTECH LLC IS STRICTLY PROHIBITED.</small>				SCALE: NTS WEIGHT: SHEET 1 OF 1						