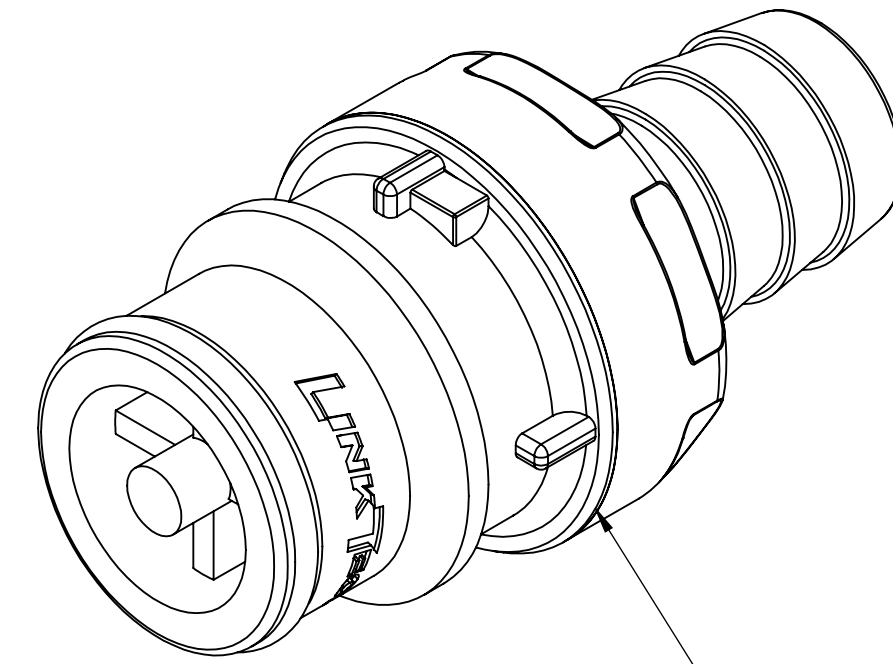
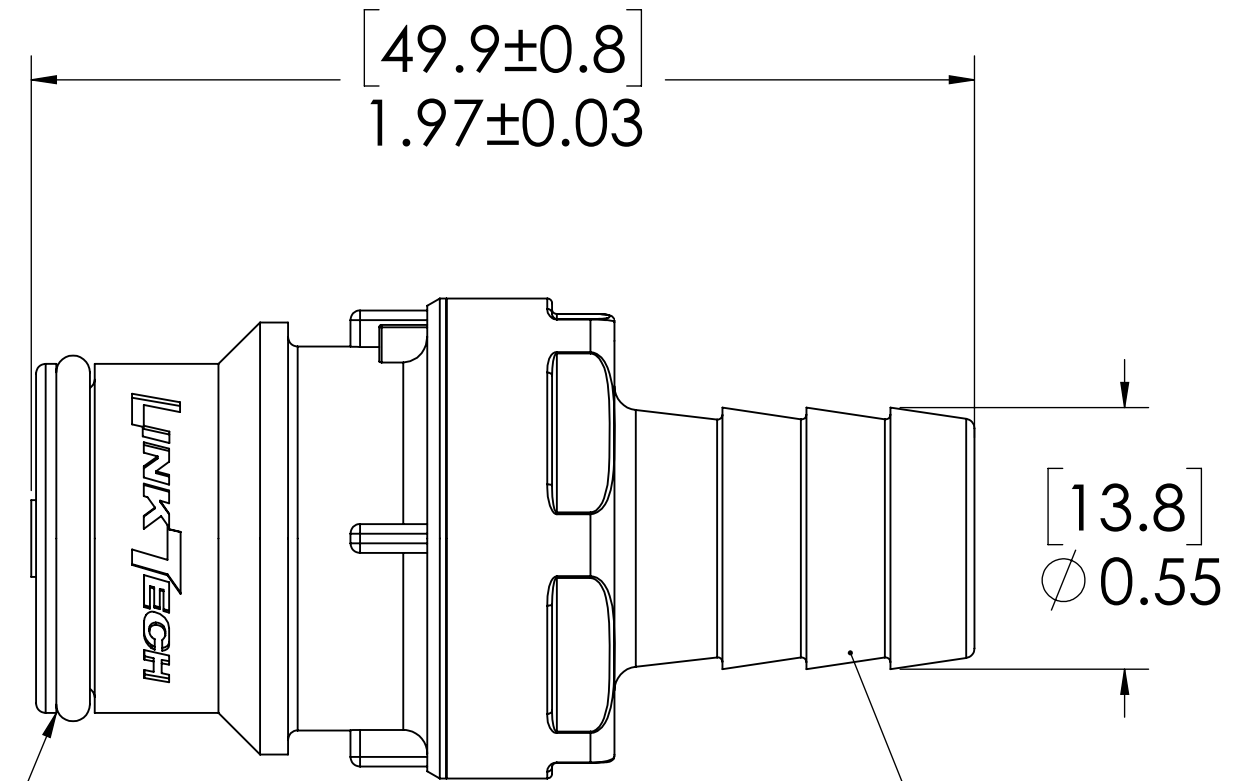
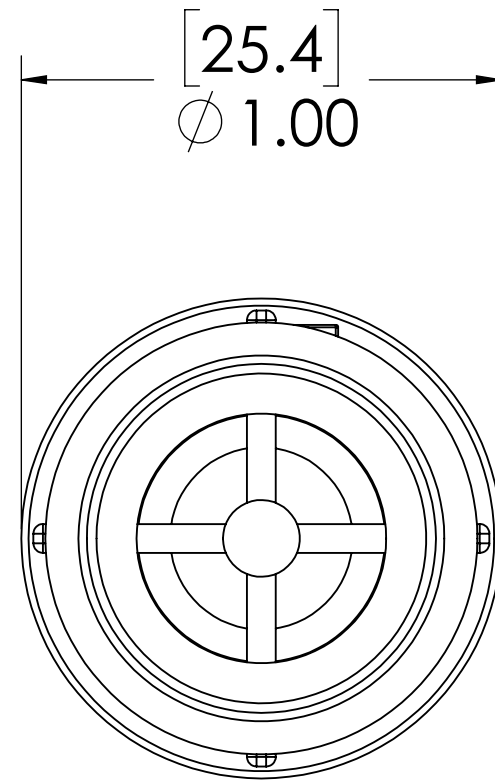


REVISIONS						
SHEET	ZONE	REV.	ECO	DESCRIPTION	DATE	APPROVED
1	ALL	A	ADDED O-RING LUBRICATION NOTE	6/17/2014	HRC
1	ALL	A	50093	INITIAL RELEASE	9/10/2014	HRC
1	ALL	B	50257	O-RING SIZE UPDATE	8/9/2018	HRC



**PLUG,
(POLYPROPYLENE)**




**O-RING
(EPDM)**

1/2" TUBE ID

NOTES:

1. MATERIAL: POLYPROPYLENE
2. COLOR: GREY
3. O-RING MATERIAL: EPDM
4. O-RINGS LUBRICATED WITH FOOD GRADE SILICONE OIL, 350 CST.

FOR REFERENCE ONLY

<small>UNLESS OTHERWISE SPECIFIED: DIMENSIONS ARE IN INCHES TOLERANCES: FRACTIONAL ± 1/32 ANGULAR: MACH ± 0.5 BEND ± 2 ONE PLACE DECIMAL ± 0.1 TWO PLACE DECIMAL ± 0.01 THREE PLACE DECIMAL ± 0.005 TWO PLACE DUAL (mm) [±0.12]</small>	DRAWN	RDA	8/8/2018	 PART NO: 60PP-PE2-08 DESCRIPTION: LinkTech 60PP Series Straight Male, Non-valved 1/2" HB, Polypropylene
	CHECKED	HRC	8/8/2018	
	ENG APPR.	HRC	8/9/18	
	MFG APPR.	BDB	8/9/18	
<small>PROPRIETARY AND CONFIDENTIAL THE INFORMATION CONTAINED IN THIS DRAWING IS THE SOLE PROPERTY OF LINKTECH LLC. ANY REPRODUCTION OR DISCLOSURE IN PART OR AS A WHOLE WITHOUT THE WRITTEN PERMISSION OF LINKTECH LLC IS STRICTLY PROHIBITED.</small>	Q.A.	JJB	8/9/18	<small>SIZE DWG. NO. REV</small> C 60PP600043 B
<small>COMMENTS:</small>			<small>SCALE: 2.5:1 WEIGHT: SHEET 2 OF 2</small>	