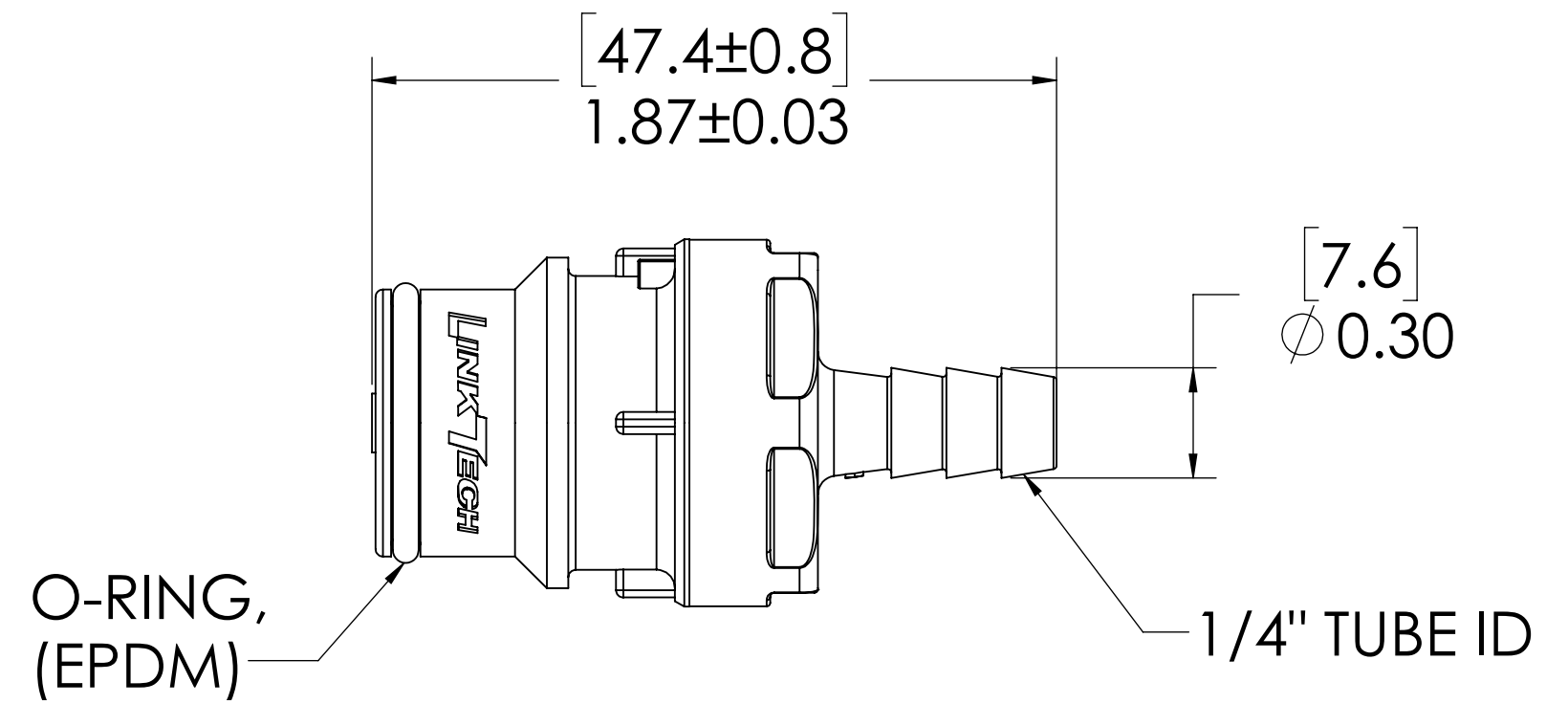
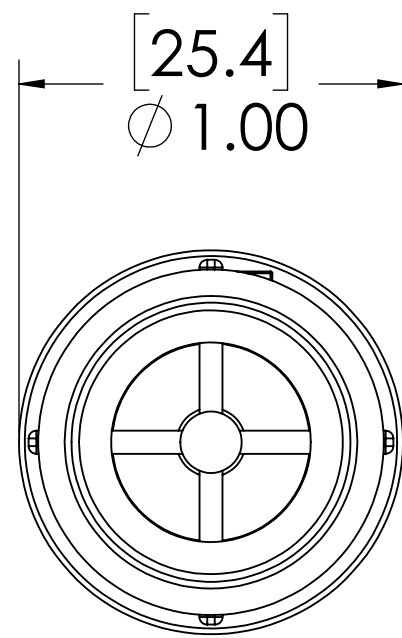
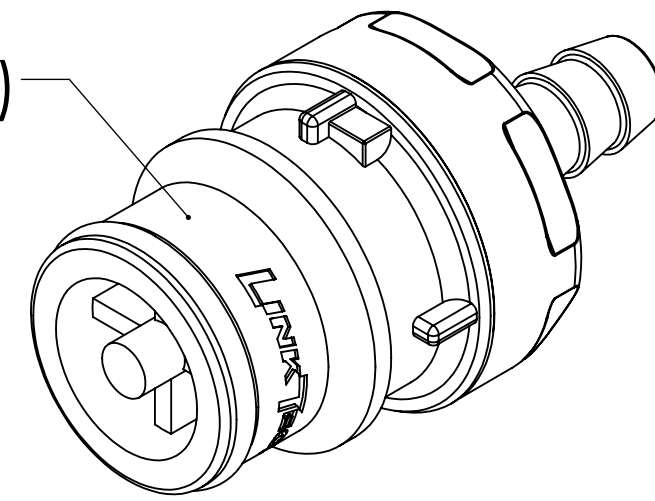


REVISIONS						
SHEET	ZONE	REV.	ECO	DESCRIPTION	DATE	APPROVED
1	ALL	A	50257	INITIAL RELEASE	6/25/2018	HRC

PLUG,  
(POLYPROPYLENE)



**NOTES:**

- MATERIAL: POLYPROPYLENE
- COLOR: BLACK
- O-RING MATERIAL: EPDM
- O-RINGS LUBRICATED WITH FOOD GRADE SILICONE OIL, 350 CST.

**FOR REFERENCE ONLY**

<small>UNLESS OTHERWISE SPECIFIED: DIMENSIONS ARE IN INCHES TOLERANCES: FRACTIONAL ± 1/32 ANGULAR: MACH ± 0.5 BEND ± 2 ONE PLACE DECIMAL ± 0.1 TWO PLACE DECIMAL ± 0.01 THREE PLACE DECIMAL ± 0.005 TWO PLACE DUAL (mm) [± 0.12]</small>	DRAWN	CGS	12/18/17							
	CHECKED	CKE	6/25/18							
	ENG APPR.	HRC	6/25/18							
	MFG APPR.	BDB	6/25/18							
PRODUCTION	LAS	6/25/18		<b>PART NO:</b> 60PP-PE2-04BLK  <b>DESCRIPTION:</b> LinkTech 60PP Series Straight Male, Non-valved 1/4" HB, Molded Black Color, Polypropylene						
<small>PROPRIETARY AND CONFIDENTIAL THE INFORMATION CONTAINED IN THIS DRAWING IS THE SOLE PROPERTY OF LINKTECH LLC. ANY REPRODUCTION OR DISCLOSURE IN PART OR AS A WHOLE WITHOUT THE WRITTEN PERMISSION OF LINKTECH LLC IS STRICTLY PROHIBITED.</small>	COMMENTS:			<table border="1"> <tr> <td>SIZE</td> <td>DWG. NO.</td> <td>REV</td> </tr> <tr> <td>C</td> <td>60PP600139</td> <td>A</td> </tr> </table>	SIZE	DWG. NO.	REV	C	60PP600139	A
SIZE	DWG. NO.	REV								
C	60PP600139	A								
SCALE: NTS		WEIGHT:	SHEET 1 OF 1							