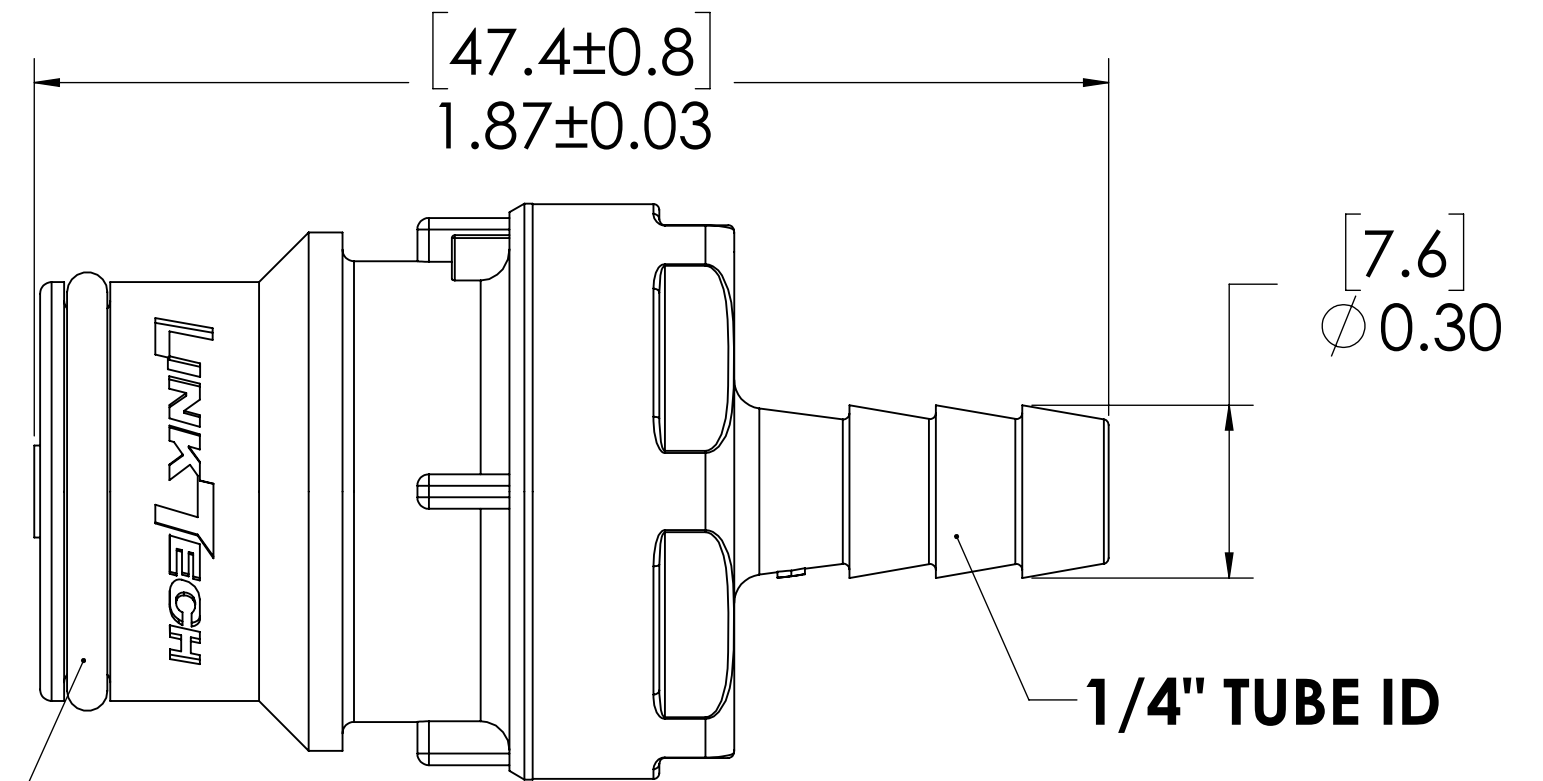
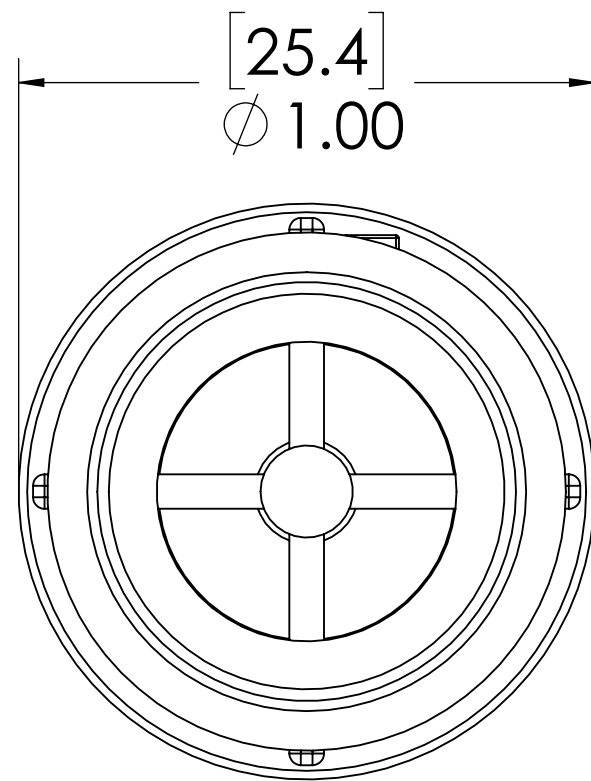
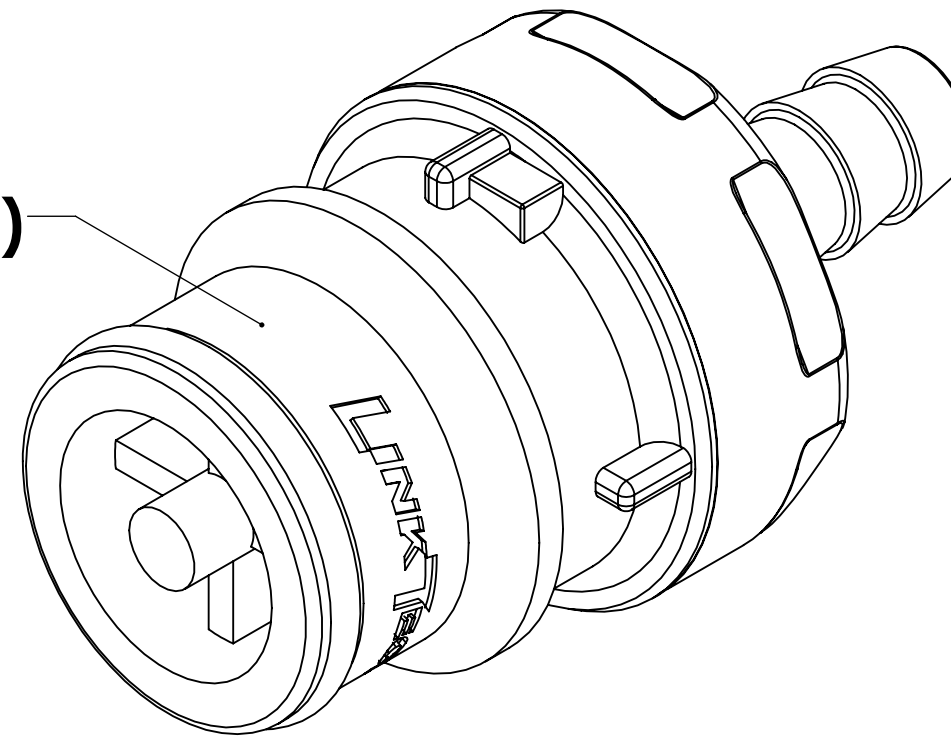


REVISIONS						
SHEET	ZONE	REV.	ECO	DESCRIPTION	DATE	APPROVED
1	ALL	A	50257	INITIAL RELEASE	6/25/2018	HRC

**PLUG
(POLYPROPYLENE)**




**O-RING
EXTERNAL
(EPDM)**

NOTES:

1. MATERIAL: POLYPROPYLENE
2. COLOR: GREY
3. O-RING MATERIAL: EPDM
4. O-RINGS LUBRICATED WITH FOOD GRADE SILICONE OIL, 350 CST.

FOR REFERENCE ONLY

<small>UNLESS OTHERWISE SPECIFIED: DIMENSIONS ARE IN INCHES TOLERANCES: FRACTIONAL ± 1/32 ANGULAR: MACH ± 0.5 BEND ± 2 ONE PLACE DECIMAL ± 0.1 TWO PLACE DECIMAL ± 0.01 THREE PLACE DECIMAL ± 0.005 TWO PLACE DUAL (mm) [± 0.12]</small>	DRAWN	CGS	12/18/17	 PART NO: 60PP-PE2-04 DESCRIPTION: LinkTech 60PP Series Straight Male, Non-valved 1/4" HB, Polypropylene
	CHECKED	CKE	6/25/18	
	ENG APPR.	HRC	6/25/18	
	MFG APPR.	BDB	6/25/18	
<small>PROPRIETARY AND CONFIDENTIAL THE INFORMATION CONTAINED IN THIS DRAWING IS THE SOLE PROPERTY OF LINKTECH LLC. ANY REPRODUCTION OR DISCLOSURE IN PART OR AS A WHOLE WITHOUT THE WRITTEN PERMISSION OF LINKTECH LLC IS STRICTLY PROHIBITED.</small>	PRODUCTION	LAS	6/25/18	SIZE DWG. NO. REV C 60PP600138 A
COMMENTS:			SCALE: NTS WEIGHT:	SHEET 1 OF 1