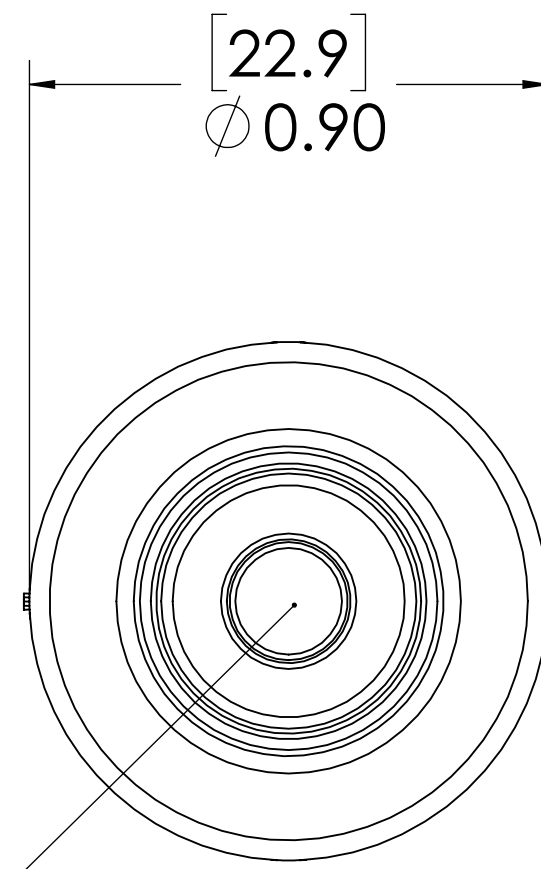
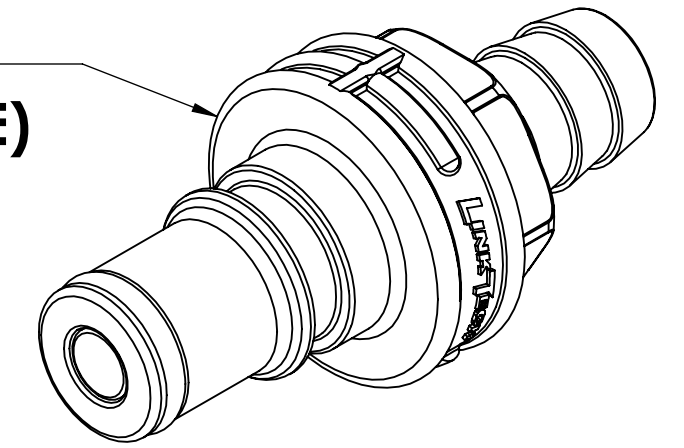
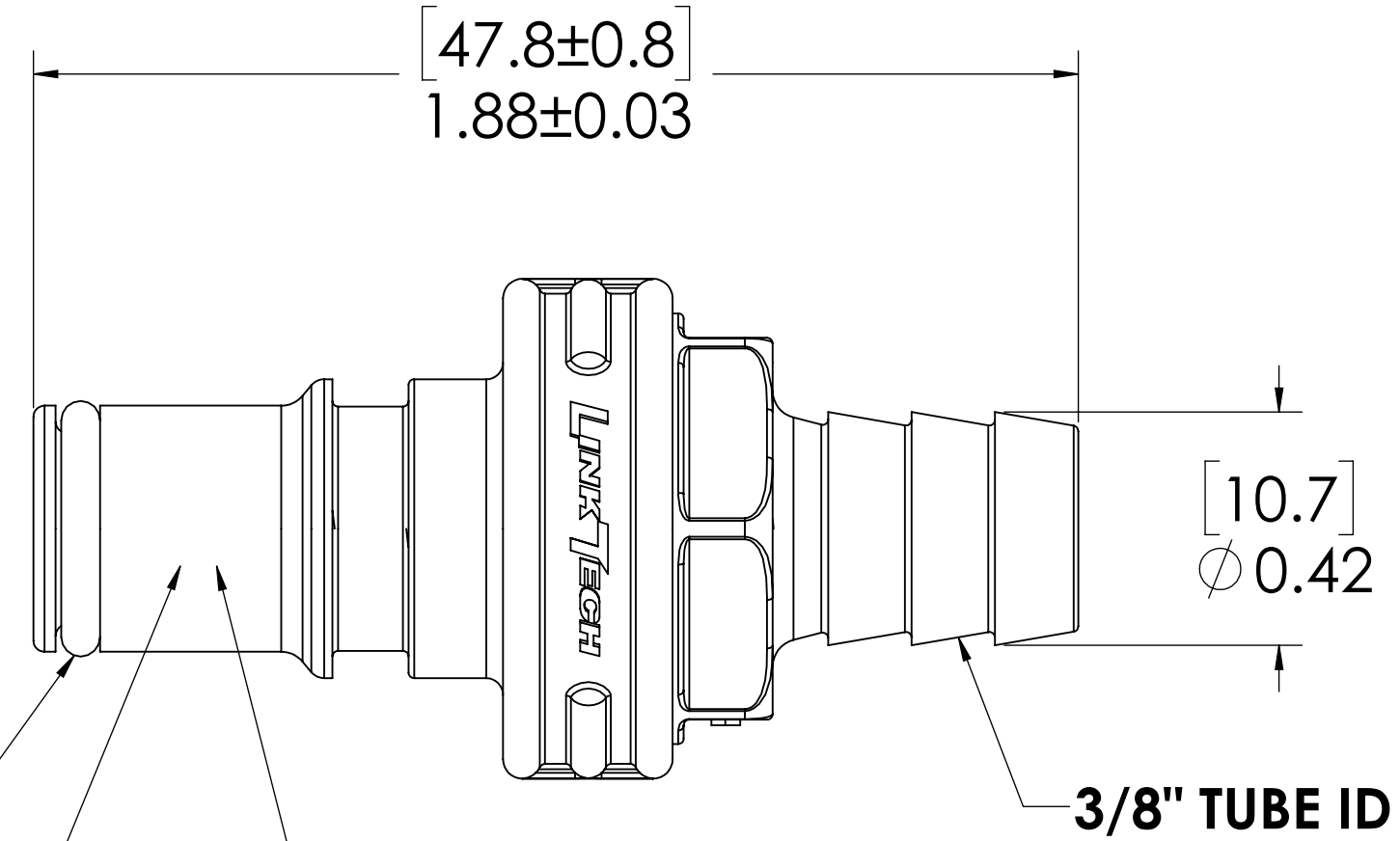


REVISIONS						
SHEET	ZONE	REV.	ECO	DESCRIPTION	DATE	APPROVED
1	ALL	A	50240	INITIAL RELEASE	6/9/2017	HRC
1	ALL	B	50253	UPDATE DWG TO CURRENT FORMAT & STANDARDS	10/23/2018	HRC

**PLUG,  
(GLASS-FILLED  
POLYPROPYLENE)**



**VALVE,  
(GLASS-FILLED  
POLYPROPYLENE)**



**O-RING,  
(EPDM)**

**VALVE O-RING,  
INTERNAL  
(EPDM)**

**VALVE SPRING,  
INTERNAL  
(STAINLESS STEEL)**

**3/8" TUBE ID**

**NOTES:**

- MATERIAL: GLASS FILLED POLYPROPYLENE
- COLOR: GREY
- O-RING MATERIAL: EPDM
- O-RINGS LUBRICATED WITH FOOD GRADE SILICONE OIL, 350 CST.

**FOR REFERENCE ONLY**

<small>UNLESS OTHERWISE SPECIFIED: DIMENSIONS ARE IN INCHES TOLERANCES: FRACTIONAL ± 1/32 ANGULAR: MACH ± 0.5 BEND ± 2 ONE PLACE DECIMAL ± 0.1 TWO PLACE DECIMAL ± 0.01 THREE PLACE DECIMAL ± 0.005 TWO PLACE DUAL (mm) [± 0.12]</small>	DRAWN	CKE	7/14/16		
	CHECKED	HRC	7/14/16		
	ENG APPR.	HRC	6/9/17		
	MFG APPR.	BDB	6/9/17		
PROPRIETARY AND CONFIDENTIAL	Q.A.	JJB	6/9/17	<b>PART NO: 55GPV-PE2-06</b> <b>DESCRIPTION:</b> <b>LinkTech 55GP Series Straight Male, Valved, 375 HB, Glass Filled Polypropylene</b>	
<small>THE INFORMATION CONTAINED IN THIS DRAWING IS THE SOLE PROPERTY OF LINKTECH LLC. ANY REPRODUCTION OR DISCLOSURE IN PART OR AS A WHOLE WITHOUT THE WRITTEN PERMISSION OF LINKTECH LLC IS STRICTLY PROHIBITED.</small>			<small>COMMENTS:</small>		
<small>SIZE</small>	<small>DWG. NO.</small>	<small>REV</small>			
C	55GP500031	B	<small>SCALE: NTS</small>	<small>WEIGHT:</small>	<small>SHEET 1 OF 1</small>