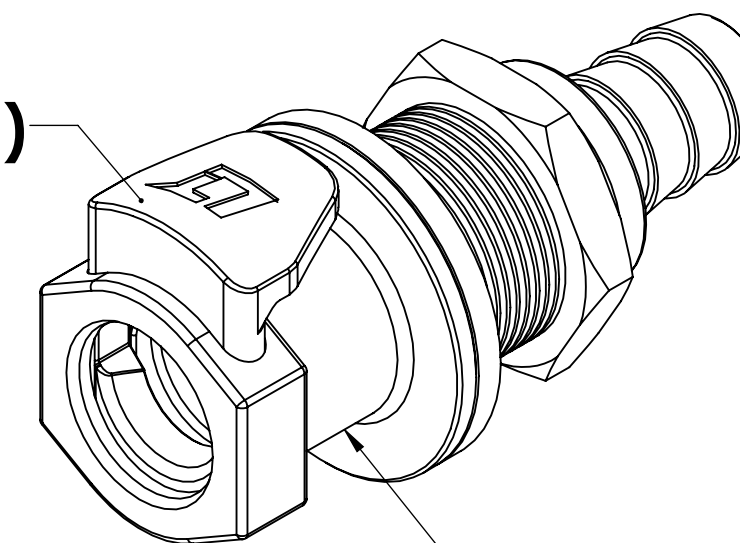
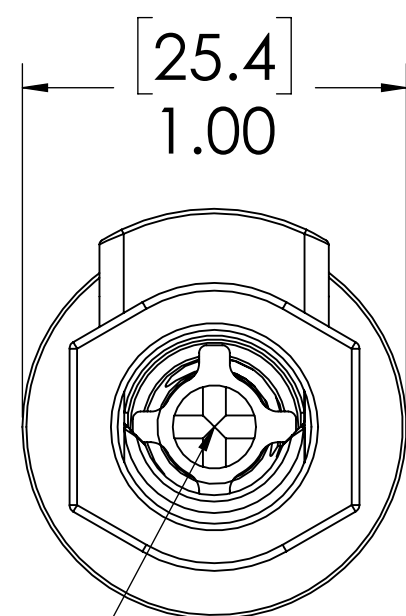


REVISIONS						
SHEET	ZONE	REV.	ECO	DESCRIPTION	DATE	APPROVED
1	ALL	A	50253	UPDATE DWG TO CURRENT FORMAT & STANDARDS	10/30/2018	HRC

**LATCH
(POLYPROPYLENE)**

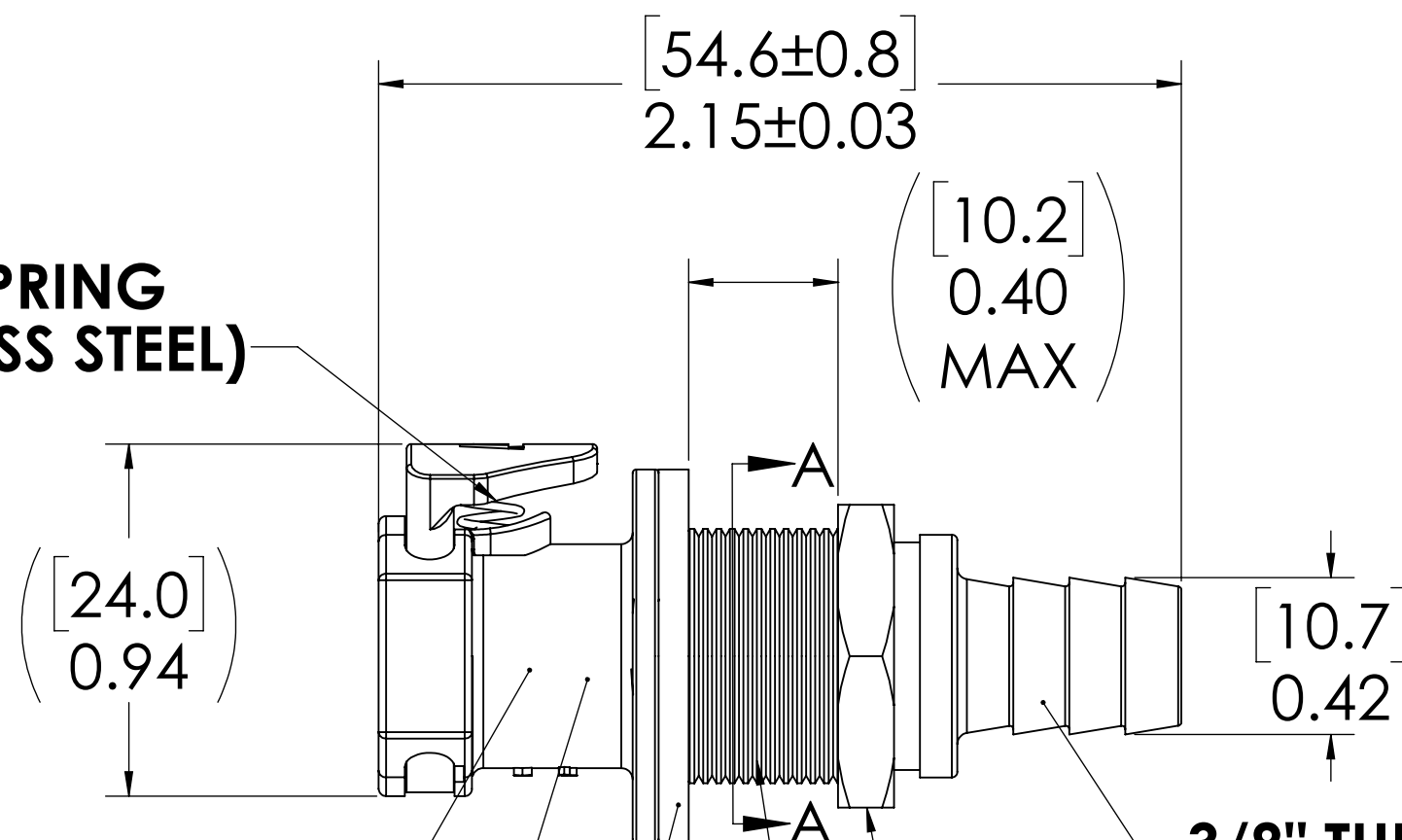


**SOCKET
(POLYPROPYLENE)**



**VALVE
(POLYPROPYLENE)**

**LATCH SPRING
(STAINLESS STEEL)**



**VALVE SPRING
INTERNAL
(STAINLESS STEEL)**

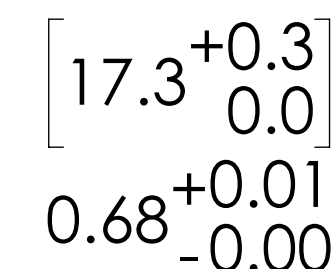
**VALVE O-RING
INTERNAL
(EPDM)**

**GASKET
(EPDM)**

**PANEL NUT
(BRASS, NICKEL PLATED)
(PACKAGED SEPARATELY)**

11/16" - 24 UNS THREAD

3/8" TUBE ID



**PANEL OPENING
(SECTION A-A)**

NOTES:

- MATERIAL: POLYPROPYLENE
- COLOR: GRAY
- O-RING AND GASKET MATERIAL: EPDM
- O-RINGS LUBRICATED WITH FOOD GRADE SILICONE OIL, 350 CST.

FOR REFERENCE ONLY

<small>UNLESS OTHERWISE SPECIFIED: DIMENSIONS ARE IN INCHES TOLERANCES: FRACTIONAL ±1/32 ANGULAR: MACH ±0.5 BEND ±2 ONE PLACE DECIMAL ±0.1 TWO PLACE DECIMAL ±0.01 THREE PLACE DECIMAL ±0.005 TWO PLACE DUAL (mm) [±0.12]</small>	DRAWN	LMP	6/13/2018	
	CHECKED	HRC	6/13/2018	
	ENG APPR.	HRC	10/30/18	
	MFG APPR.	BDB	10/30/18	
PRODUCTION	LS	10/30/18		PART NO: 50PPV-SE3-06 DESCRIPTION: LinkTech 50 PP Series Panel Mt. Hose Barb Socket, Valved, 3/8" HB, Polypropylene
<small>PROPRIETARY AND CONFIDENTIAL THE INFORMATION CONTAINED IN THIS DRAWING IS THE SOLE PROPERTY OF LINKTECH LLC. ANY REPRODUCTION OR DISCLOSURE IN PART OR AS A WHOLE WITHOUT THE WRITTEN PERMISSION OF LINKTECH LLC IS STRICTLY PROHIBITED.</small>	<small>COMMENTS:</small>	SIZE DWG. NO. REV C 50PP500065 A	SCALE: NTS WEIGHT:	SHEET 1 OF 1