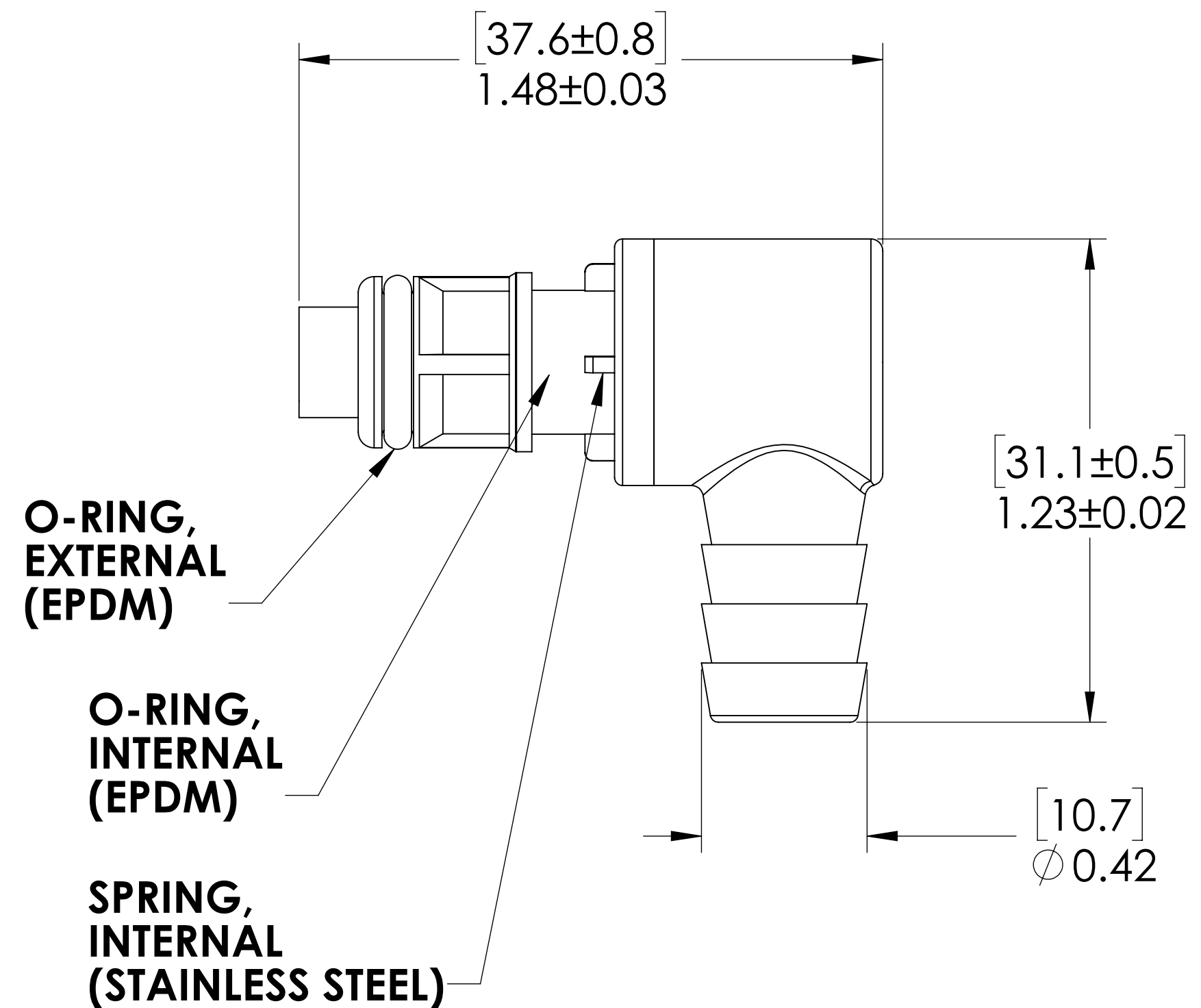
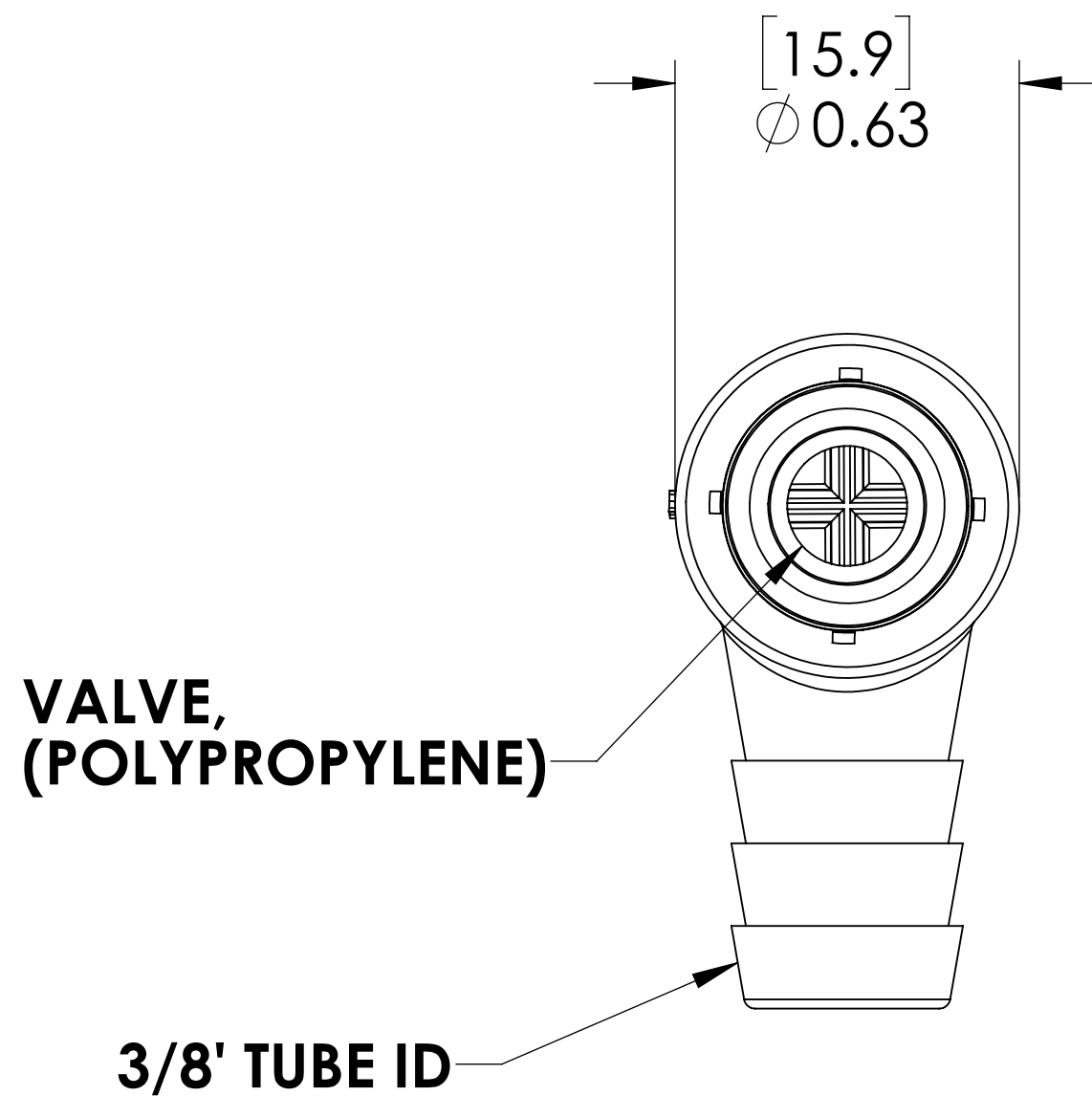
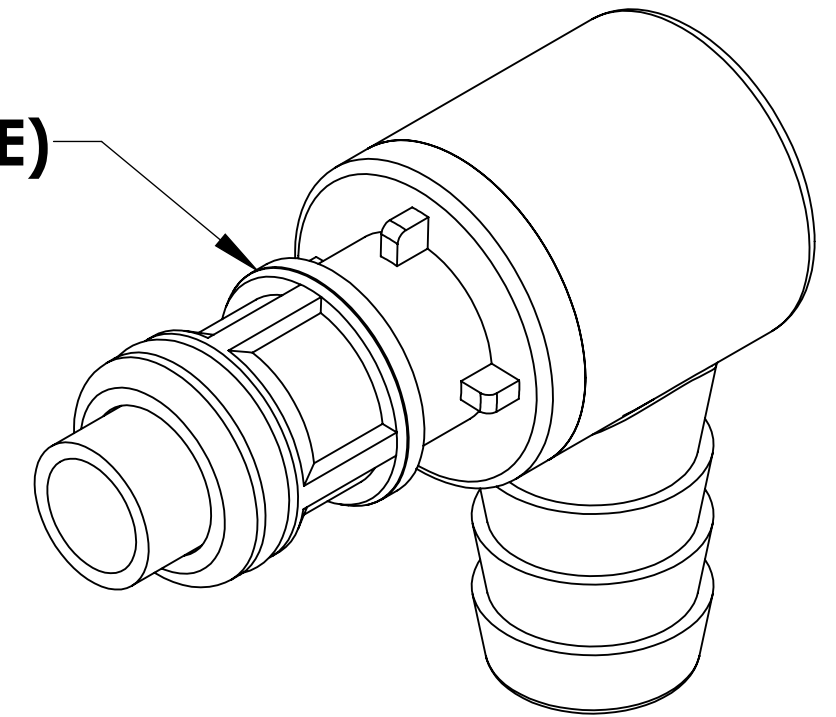


REVISIONS						
SHEET	ZONE	REV.	ECO	DESCRIPTION	DATE	APPROVED
1	ALL	A	50253	2017 FORMAT UPDATE	3/8/2018	HRC

**PLUG BODY,  
(POLYPROPYLENE)**



**NOTES:**

1. MATERIAL: POLYPROPYLENE
2. COLOR: LIGHT GRAY
3. O-RING MATERIAL: EPDM
4. O-RINGS LUBRICATED WITH FOOD GRADE SILICONE OIL, 350 CST.

**FOR REFERENCE ONLY**

<small>UNLESS OTHERWISE SPECIFIED: DIMENSIONS ARE IN INCHES TOLERANCES: FRACTIONAL ± 1/32 ANGULAR: MACH ± 0.5 BEND ± 2 ONE PLACE DECIMAL ± 0.1 TWO PLACE DECIMAL ± 0.01 THREE PLACE DECIMAL ± 0.005 TWO PLACE DUAL (mm) [± 0.12]</small>	DRAWN	RDA	7/10/2017	
	CHECKED	HRC	7/10/2017	
	ENG APPR.	HRC	03-08-18	
	MFG APPR.	BDB	03-08-18	
<small>PROPRIETARY AND CONFIDENTIAL THE INFORMATION CONTAINED IN THIS DRAWING IS THE SOLE PROPERTY OF LINKTECH LLC. ANY REPRODUCTION OR DISCLOSURE IN PART OR AS A WHOLE WITHOUT THE WRITTEN PERMISSION OF LINKTECH LLC IS STRICTLY PROHIBITED.</small>	PURCHASING	RK	03-08-18	<b>PART NO: 50PPV-PE4-06</b>  <b>DESCRIPTION:</b> <b>LinkTech 50PP Series Elbow Male, Valved, 375 HB, Polypropylene</b>
<small>COMMENTS:</small>		<b>SIZE DWG. NO.</b> <b>C 50PP500030</b>	<b>REV</b> <b>A</b>	<b>SCALE: NTS WEIGHT:</b>