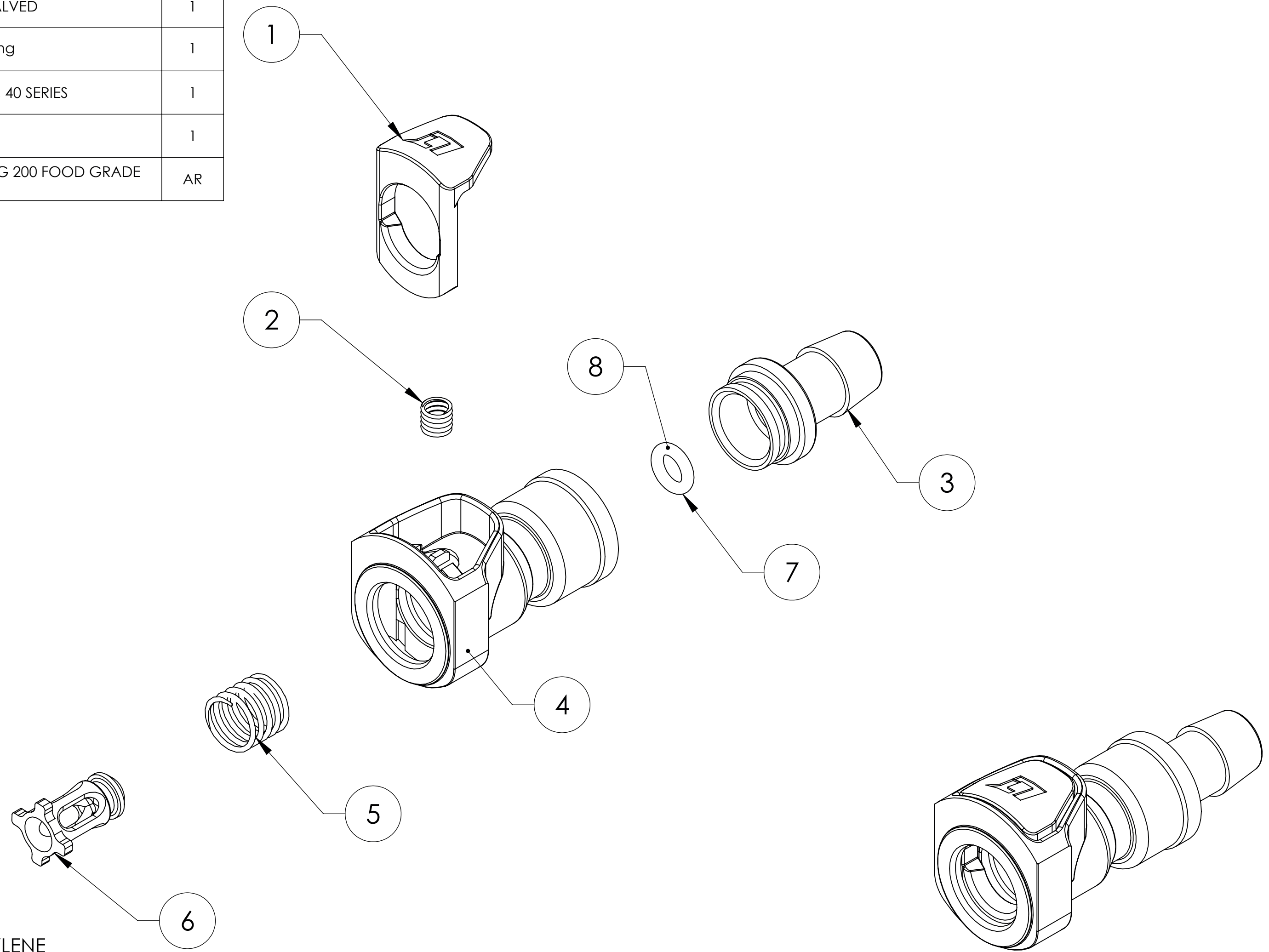


ITEM NO.	Part No	DESCRIPTION	QTY.
1	C505	LATCH, AC, 50 SERIES, LT	1
2	C107-A	SPRING, LATCH, SS	1
3	C510	END TERM, GP, 375 HB	1
4	C509	SOCKET BODY, GP, VALVED	1
5	C108	40 Body Valve Spring	1
6	C11145	VALVE, SOCKET, PP, GRAY, 40 SERIES	1
7	OE-008-NSF61XL	EPDM, NSF61	1
8	LUBE-DCFG200	O-RING LUBRICATION DOW CORNING 200 FOOD GRADE SILICONE OIL	AR

REVISIONS						
SHEET	ZONE	REV.	ECO	DESCRIPTION	DATE	APPROVED
ALL	ALL	NC	----	PDF INVENTOR DRAWING	02/27/07	RJR
ALL	ALL	A	50021	CONVERT TO SOLIDWORKS	09/27/2012	DHJ
1	C-4	A	50021	CORRECT O-RING FROM C146(BRASS SOCKET) TO C171 "F" FDA/NSF EPDM	09/27/2012	DHJ
1	B-7	A	50021	CORRECT VALVE FROM C105-1 TALC-FILLED PP TO C11145 GRAY PP SOCKET VALVE	09/27/2012	DHJ
1	A-1	A	50021	CORRECT ASSEMBLY NUMBER FROM 50GPV-SF5-06 TO 50GPV-SF5-06	09/27/2012	DHJ
1	ALL	B	50253	UPDATE DWG TO CURRENT FORMAT & STANDARDS	8/9/2018	HRC



NOTES:

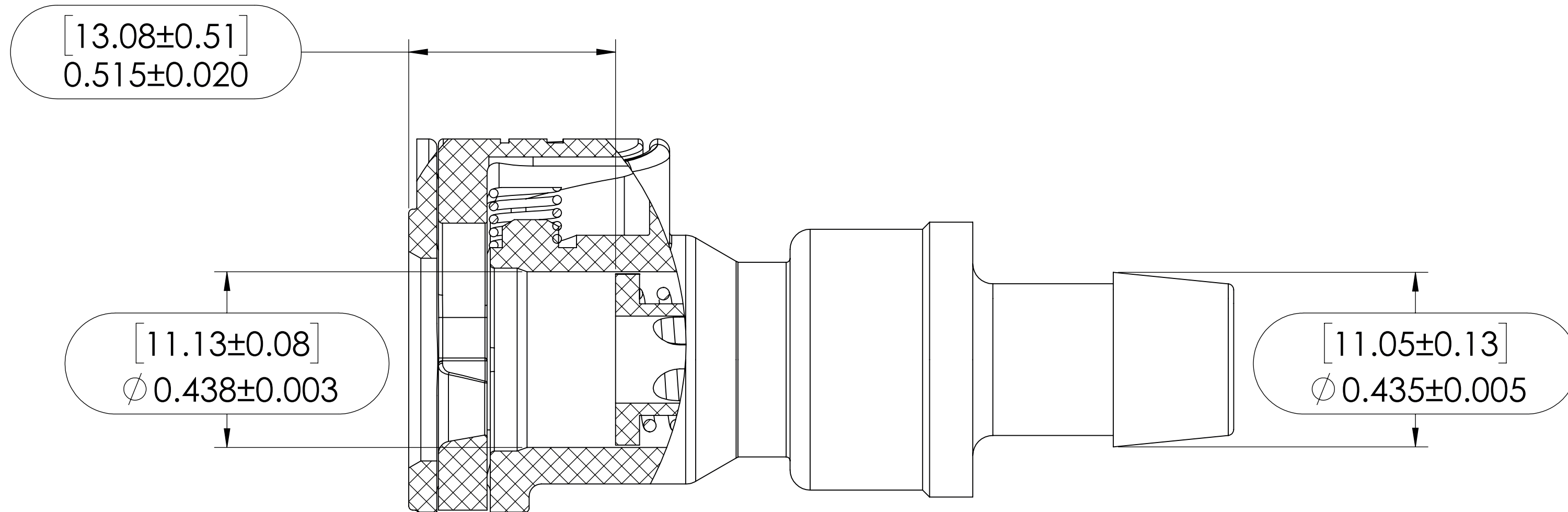
1. MATERIAL: GLASS FILLED POLYPROPYLENE
2. COLOR: WHITE
3. O-RING MATERIAL: FOOD GRADE EPDM
4. O-RINGS LUBRICATED WITH FOOD GRADE SILICONE OIL, 350 CST.




Arbel Agencies LTD.

11 Ba'alei Hamelacha st. Qiryat Bialik P.O.B 1095, ZIP 2751311, ISRAEL
 +972(0)48736969 +972(0)48730708 info@arbel-ltd.com

UNLESS OTHERWISE SPECIFIED: DIMENSIONS ARE IN INCHES TOLERANCES: FRACTIONAL ± 1/32 ANGULAR: MACH ± 0.5 BEND ± 2 ONE PLACE DECIMAL ± 0.1 TWO PLACE DECIMAL ± 0.01 THREE PLACE DECIMAL ± 0.005 TWO PLACE DUAL (mm) [± 0.12]	DRAWN	ER	08-17-17	
	CHECKED	HRC	08-17-17	
	ENG APPR.	HRC	8/9/18	
	MFG APPR.	BDB	8/9/18	
PROPRIETARY AND CONFIDENTIAL	Q.A.	JJB	8/9/18	PART NO: 50GPV-SF5-06 DESCRIPTION: LinkTech 50GP Series Straight Female, Valved, 3/8" HB, Glass filled Polypropylene
THE INFORMATION CONTAINED IN THIS DRAWING IS THE SOLE PROPERTY OF LINKTECH LLC. ANY REPRODUCTION OR DISCLOSURE IN PART OR AS A WHOLE WITHOUT THE WRITTEN PERMISSION OF LINKTECH LLC IS STRICTLY PROHIBITED.	COMMENTS:		SIZE DWG. NO. REV C 50GP500023 B	
SCALE: NTS WEIGHT:		SHEET 1 OF 2		

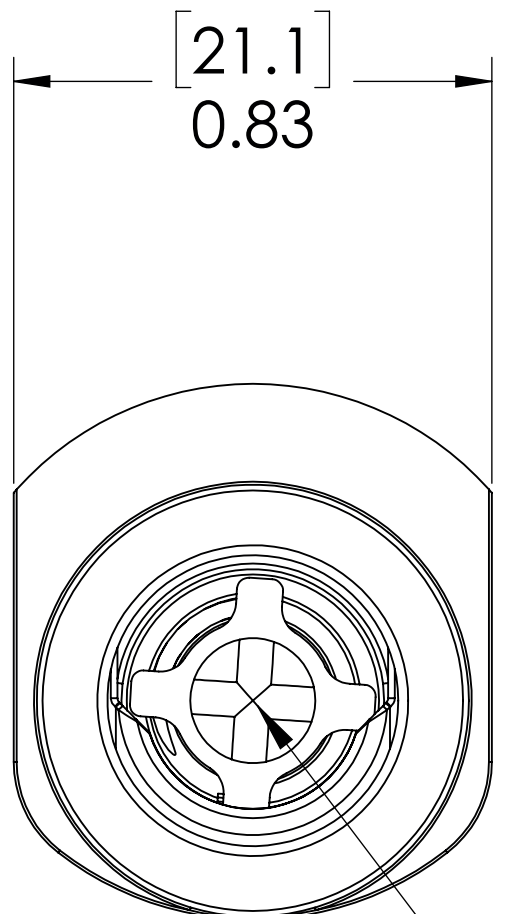
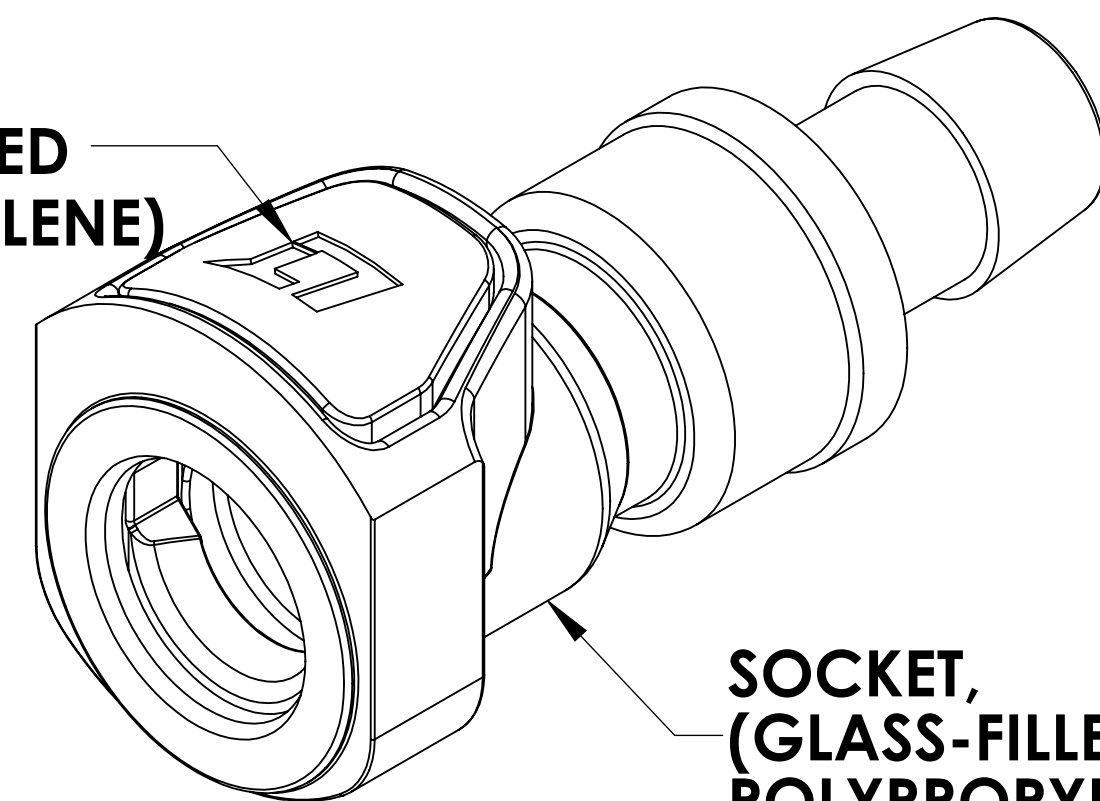


UNLESS OTHERWISE SPECIFIED:		NAME	DATE	 LINKTECH <small>DRINK DISPENSING TECHNOLOGY, LLC</small>
DIMENSIONS ARE IN INCHES TOLERANCES: FRACTIONAL $\pm 1/32$ ANGULAR: MACH ± 0.5 BEND ± 2 ONE PLACE DECIMAL ± 0.1 TWO PLACE DECIMAL ± 0.01 THREE PLACE DECIMAL ± 0.005 TWO PLACE DUAL (mm) $[\pm 0.12]$		DRAWN	ER	
PROPRIETARY AND CONFIDENTIAL THE INFORMATION CONTAINED IN THIS DRAWING IS THE SOLE PROPERTY OF LINKTECH LLC. ANY REPRODUCTION OR DISCLOSURE IN PART OR AS A WHOLE WITHOUT THE WRITTEN PERMISSION OF LINKTECH LLC IS STRICTLY PROHIBITED.		CHECKED	HRC	08-17-17
		ENG APPR.	HRC	8/9/18
		MFG APPR.	BDB	8/9/18
		Q.A.	JJB	8/9/18
		COMMENTS:		
		PART NO: 50GPV-SF5-06 DESCRIPTION: LinkTech 50GP Series Straight Female, Valved, 3/8" HB, Glass filled Polypropylene		
SIZE	DWG. NO.	REV		
C	50GP500023	B		
SCALE: NTS	WEIGHT:	SHEET 2 OF 2		

REVISIONS						
SHEET	ZONE	REV.	ECO	DESCRIPTION	DATE	APPROVED
1	ALL	A	50253	UPDATE DWG TO CURRENT FORMAT & STANDARDS	8/9/2018	HRC

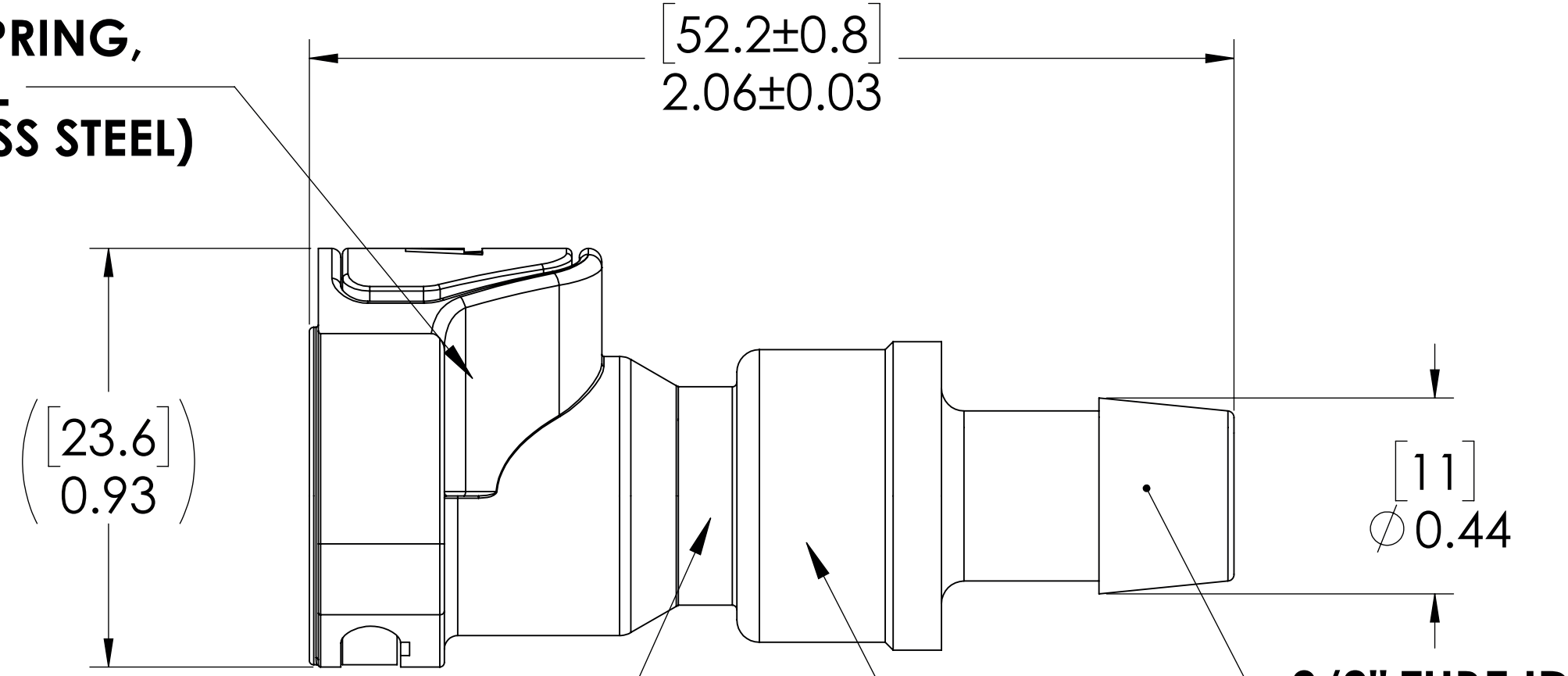
**LATCH,
(GLASS-FILLED
POLYPROPYLENE)**

**SOCKET,
(GLASS-FILLED
POLYPROPYLENE)**



**VALVE,
(ACETAL)**

**LATCH SPRING,
INTERNAL
(STAINLESS STEEL)**



**VALVE SPRING,
INTERNAL
(STAINLESS STEEL)**

**VALVE O-RING,
INTERNAL
(EPDM)**

- NOTES:**
1. MATERIAL: GLASS FILLED POLYPROPYLENE
 2. COLOR: WHITE
 3. O-RING MATERIAL: FOOD GRADE EPDM
 4. O-RINGS LUBRICATED WITH FOOD GRADE SILICONE OIL, 350 CST.

FOR REFERENCE ONLY

<small>UNLESS OTHERWISE SPECIFIED: DIMENSIONS ARE IN INCHES TOLERANCES: FRACTIONAL ±1/32 ANGULAR: MACH ±0.5 BEND ±2 ONE PLACE DECIMAL ±0.1 TWO PLACE DECIMAL ±0.01 THREE PLACE DECIMAL ±0.005 TWO PLACE DUAL (mm) [±0.12]</small>	DRAWN	ER	08-17-17	
	CHECKED	HRC	08-17-17	
	ENG APPR.	HRC	8/9/18	
	MFG APPR.	BDB	8/9/18	
<small>PROPRIETARY AND CONFIDENTIAL THE INFORMATION CONTAINED IN THIS DRAWING IS THE SOLE PROPERTY OF LINKTECH LLC. ANY REPRODUCTION OR DISCLOSURE IN PART OR AS A WHOLE WITHOUT THE WRITTEN PERMISSION OF LINKTECH LLC IS STRICTLY PROHIBITED.</small>	Q.A.	JJB	8/9/18	PART NO: 50GPV-SF5-06 DESCRIPTION: LinkTech 50GP Series Straight Female, Valved, 3/8" HB, Glass filled Polypropylene
<small>SIZE DWG. NO. REV</small>		C 50GP500023 B		<small>SCALE: NTS WEIGHT: SHEET 1 OF 1</small>