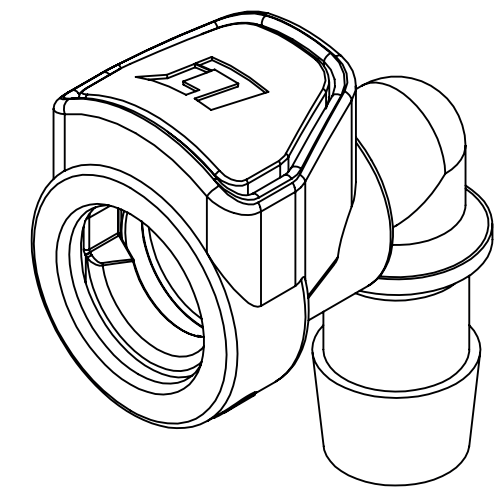
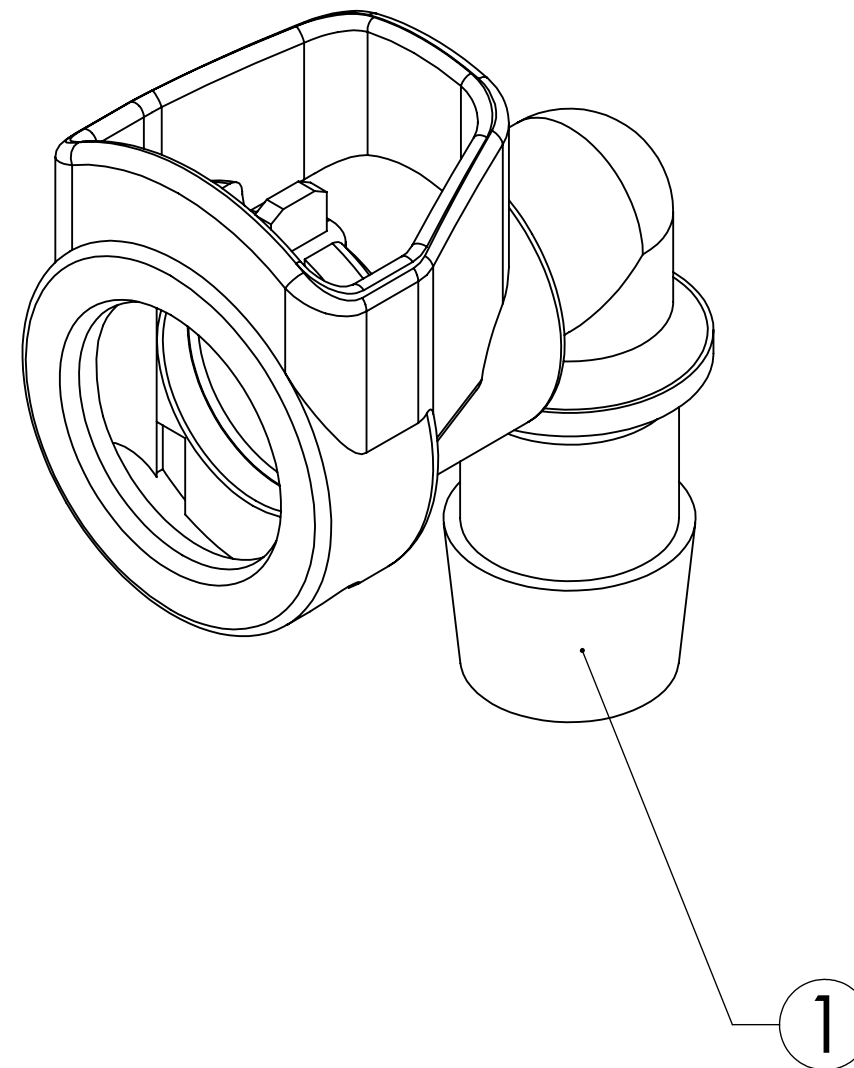
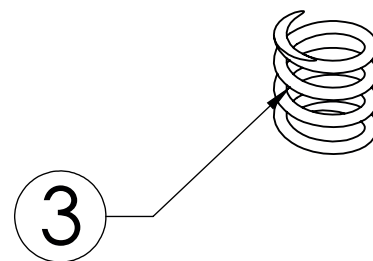
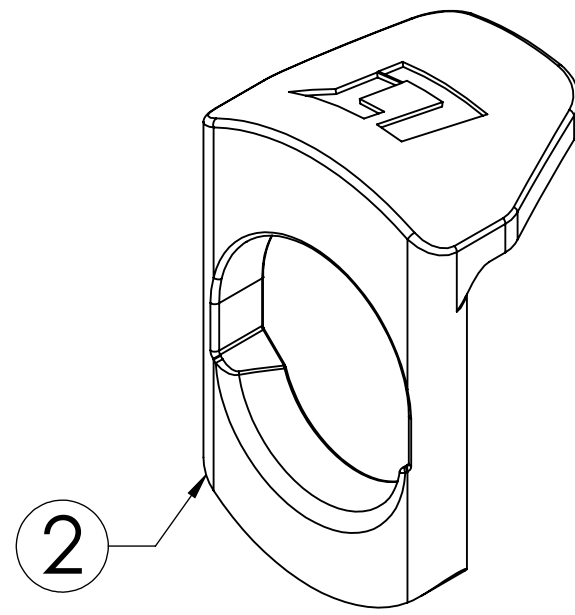



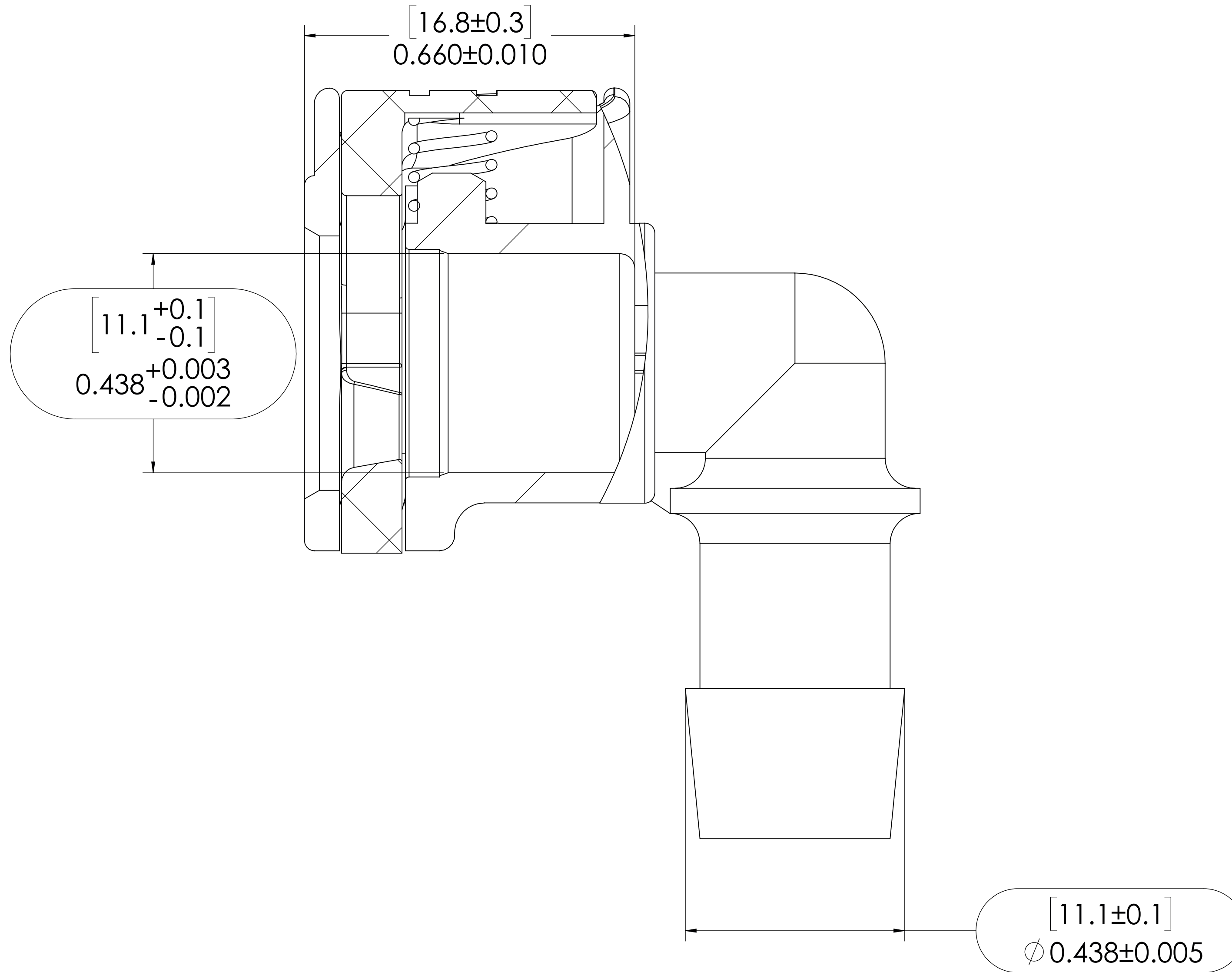
ITEM NO.	PART NUMBER	DESCRIPTION	QTY.
1	C513	SOCKET BODY ELBOW, NV, 3/8" HB, 50GP SERIES	1
2	C505	LATCH, AC, 50 SERIES, LT	1
3	C107-A	SPRING, SS, LATCH	1

REVISIONS						
SHEET	ZONE	REV.	ECO	DESCRIPTION	DATE	APPROVED
1	ALL	A	50253	UPDATE DWG TO CURRENT FORMAT & STANDARDS	10/23/2018	HRC




- NOTES:**
- MATERIAL: GLASS-FILLED POLYPROPYLENE
 - COLOR: SOCKET: WHITE; LATCH: GREY

UNLESS OTHERWISE SPECIFIED:		NAME	DATE	 PART NO: 50GP-S7-06
DIMENSIONS ARE IN INCHES TOLERANCES: FRACTIONAL ± 1/32 ANGULAR: MACH ± 0.5 BEND ± 2 ONE PLACE DECIMAL ± 0.1 TWO PLACE DECIMAL ± 0.01 THREE PLACE DECIMAL ± 0.005 TWO PLACE DUAL (mm) [± 0.12]		DRAWN	LMP 5/2/2018	
		CHECKED	HRC 5/2/2018	
		ENG APPR.	HRC 10/23/18	
		MFG APPR.	BDB 10/23/18	
PROPRIETARY AND CONFIDENTIAL THE INFORMATION CONTAINED IN THIS DRAWING IS THE SOLE PROPERTY OF LINKTECH LLC. ANY REPRODUCTION OR DISCLOSURE IN PART OR AS A WHOLE WITHOUT THE WRITTEN PERMISSION OF LINKTECH LLC IS STRICTLY PROHIBITED.		PRODUCTION	LS 10/23/18	SIZE DWG. NO. REV C 50GP500034 A
		COMMENTS:		SCALE: NTS WEIGHT: SHEET 1 OF 2

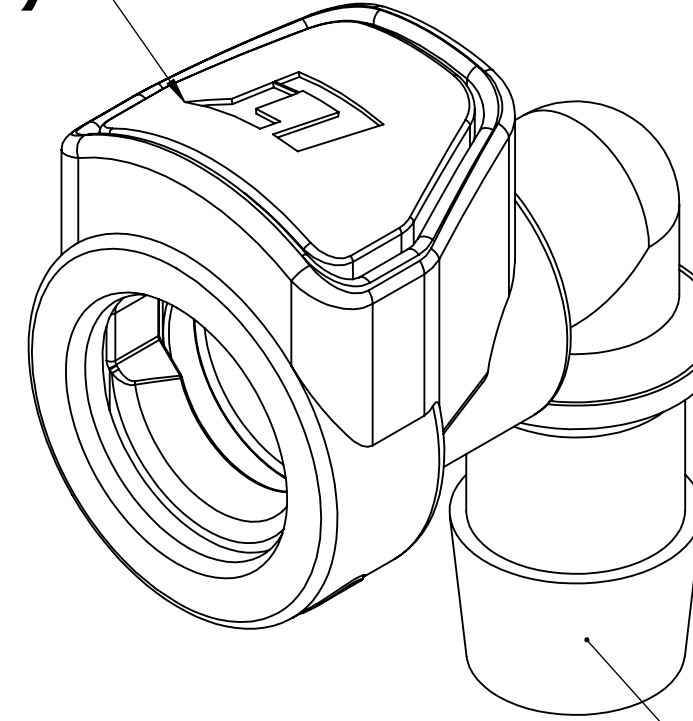


FOR REFERENCE ONLY

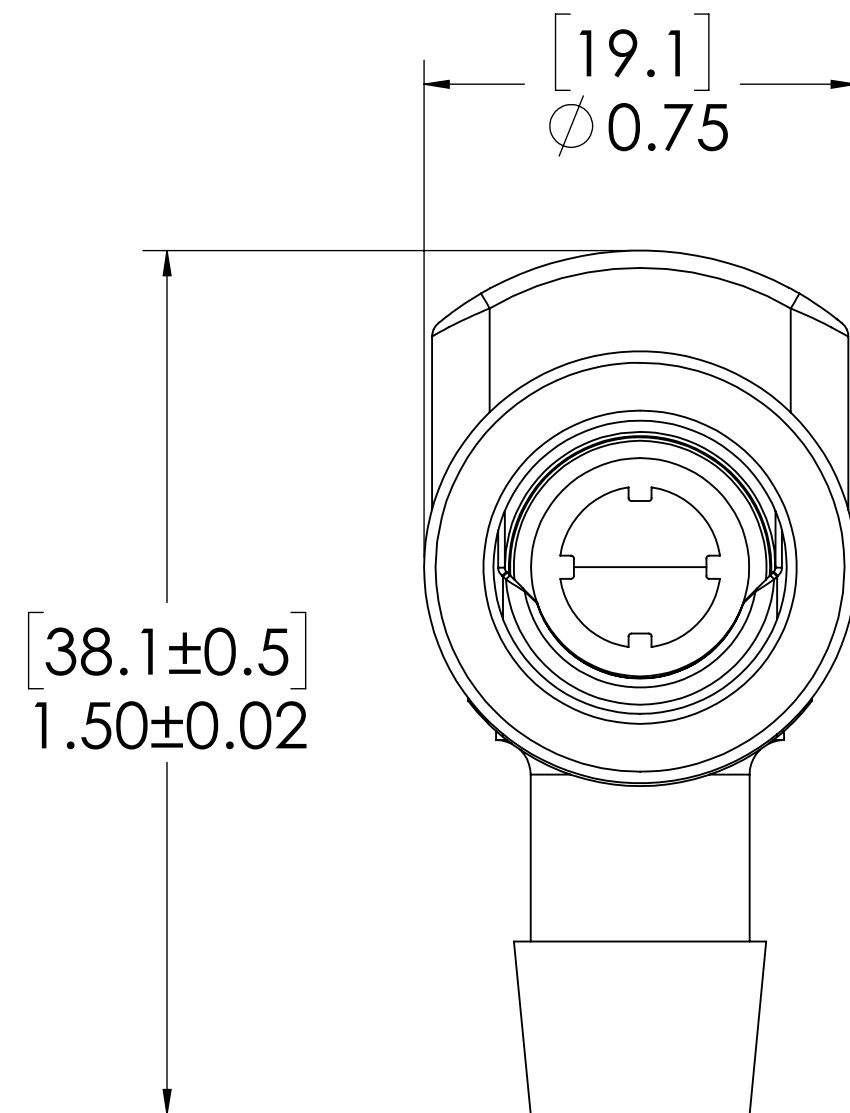
UNLESS OTHERWISE SPECIFIED:		NAME	DATE	 PART NO: 50GP-S7-06
DIMENSIONS ARE IN INCHES TOLERANCES: FRACTIONAL ± 1/32 ANGULAR: MACH ± 0.5 BEND ± 2 ONE PLACE DECIMAL ± 0.1 TWO PLACE DECIMAL ± 0.01 THREE PLACE DECIMAL ± 0.005 TWO PLACE DUAL (mm) [±0.12]		DRAWN	LMP 5/2/2018	
PROPRIETARY AND CONFIDENTIAL THE INFORMATION CONTAINED IN THIS DRAWING IS THE SOLE PROPERTY OF LINKTECH LLC. ANY REPRODUCTION OR DISCLOSURE IN PART OR AS A WHOLE WITHOUT THE WRITTEN PERMISSION OF LINKTECH LLC IS STRICTLY PROHIBITED.		CHECKED	HRC 5/2/2018	
		ENG APPR.	HRC 10/23/18	
		MFG APPR.	BDB 10/23/18	
		PRODUCTION	LS 10/23/18	SIZE DWG. NO. REV C 50GP500034 A
		COMMENTS:		SCALE: NTS WEIGHT: SHEET 2 OF 2

REVISIONS						
SHEET	ZONE	REV.	ECO	DESCRIPTION	DATE	APPROVED
1	ALL	A	50253	UPDATE DWG TO CURRENT FORMAT & STANDARDS	10/23/2018	HRC

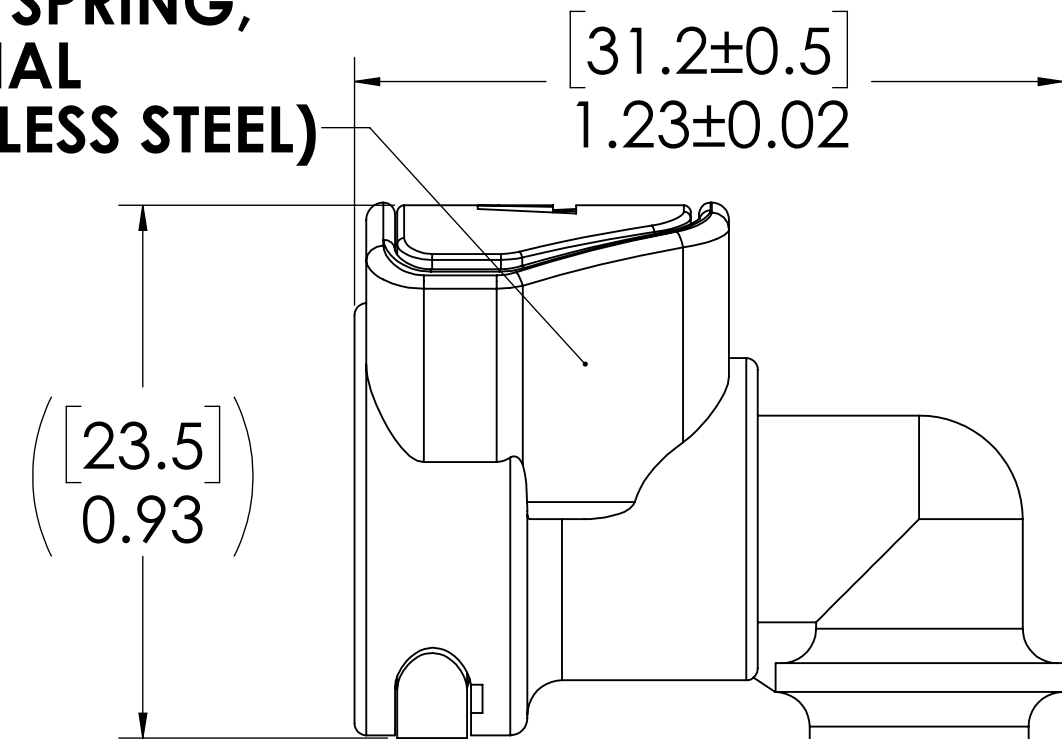
**LATCH
(ACETAL)**



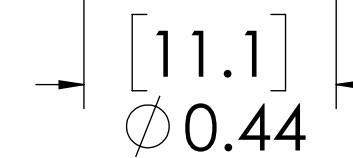
**SOCKET
(GLASS-FILLED POLYPROPYLENE)**



**LATCH SPRING,
INTERNAL
(STAINLESS STEEL)**




3/8" TUBE ID



NOTES:

- MATERIAL: GLASS-FILLED POLYPROPYLENE
- COLOR: SOCKET: WHITE; LATCH: GREY

FOR REFERENCE ONLY

<small>UNLESS OTHERWISE SPECIFIED: DIMENSIONS ARE IN INCHES TOLERANCES: FRACTIONAL ±1/32 ANGULAR: MACH ±0.5 BEND ±2 ONE PLACE DECIMAL ±0.1 TWO PLACE DECIMAL ±0.01 THREE PLACE DECIMAL ±0.005 TWO PLACE DUAL (mm) [±0.12]</small>	DRAWN	LMP	5/2/2018	 PART NO: 50GP-S7-06 DESCRIPTION: LinkTech 50GP Series Elbow Socket, Non-Valved, 3/8" HB, Glass-Filled Polypropylene						
	CHECKED	HRC	5/2/2018							
	ENG APPR.	HRC	10/23/18							
	MFG APPR.	BDB	10/23/18							
PRODUCTION	LS	10/23/18	COMMENTS:							
<small>PROPRIETARY AND CONFIDENTIAL THE INFORMATION CONTAINED IN THIS DRAWING IS THE SOLE PROPERTY OF LINKTECH LLC. ANY REPRODUCTION OR DISCLOSURE IN PART OR AS A WHOLE WITHOUT THE WRITTEN PERMISSION OF LINKTECH LLC IS STRICTLY PROHIBITED.</small>				<table border="1"> <tr> <td>SIZE</td> <td>DWG. NO.</td> <td>REV</td> </tr> <tr> <td>C</td> <td>50GP500034</td> <td>A</td> </tr> </table>	SIZE	DWG. NO.	REV	C	50GP500034	A
SIZE	DWG. NO.	REV								
C	50GP500034	A								
SCALE: NTS WEIGHT:			SHEET 1 OF 1							