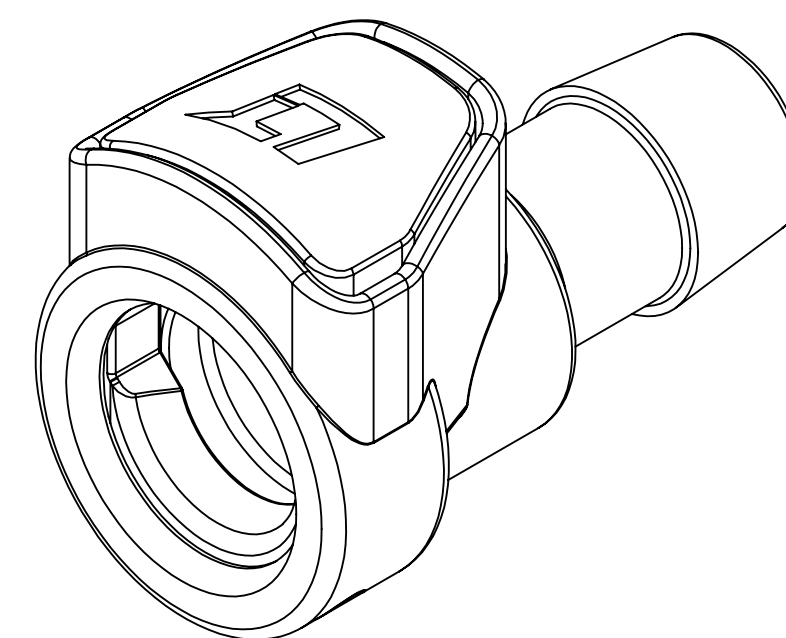
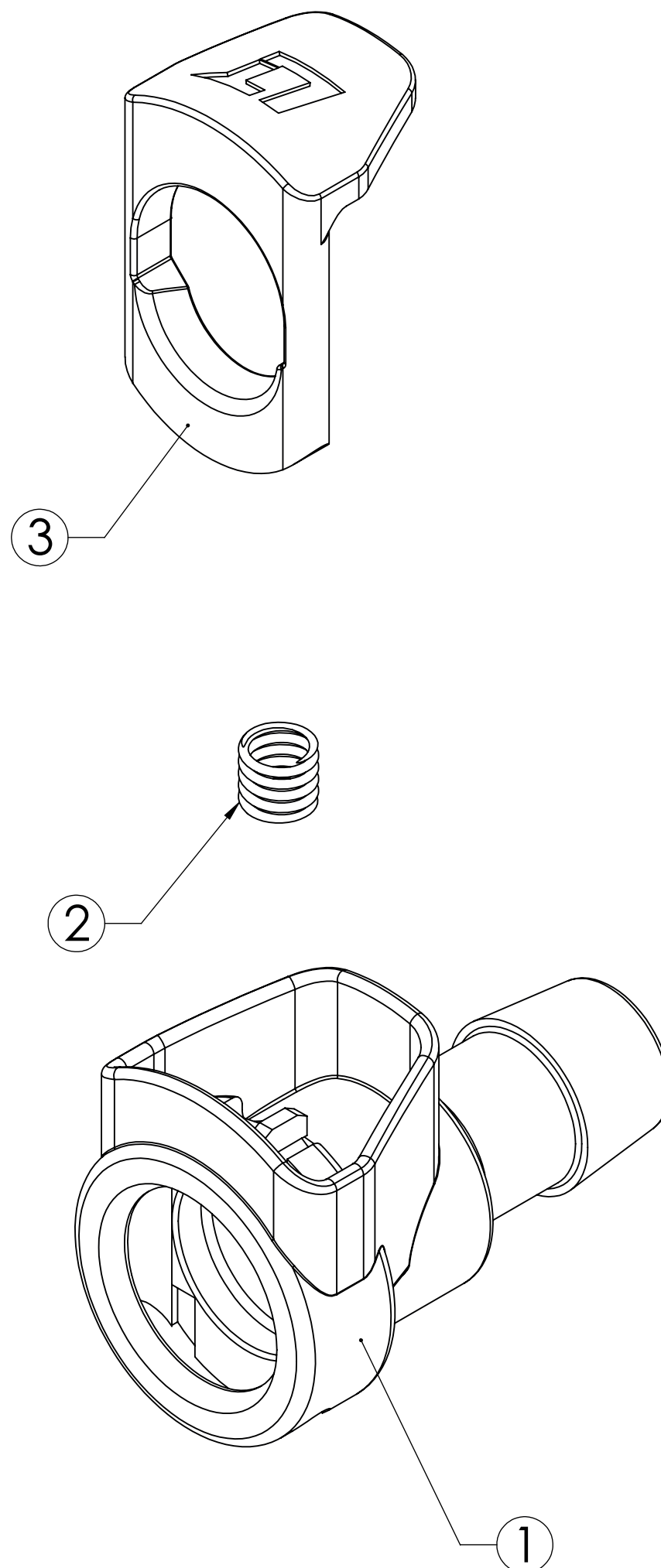



ITEM NO.	PART NUMBER	DESCRIPTION	QTY.
1	C504	SOCKET BODY, GP, NV, 50 GP SERIES, FULLY CONSTRAINED	1
2	C107-A	SPRING, LATCH, SS	1
3	C505	LATCH, AC, 50 SERIES, LT	1

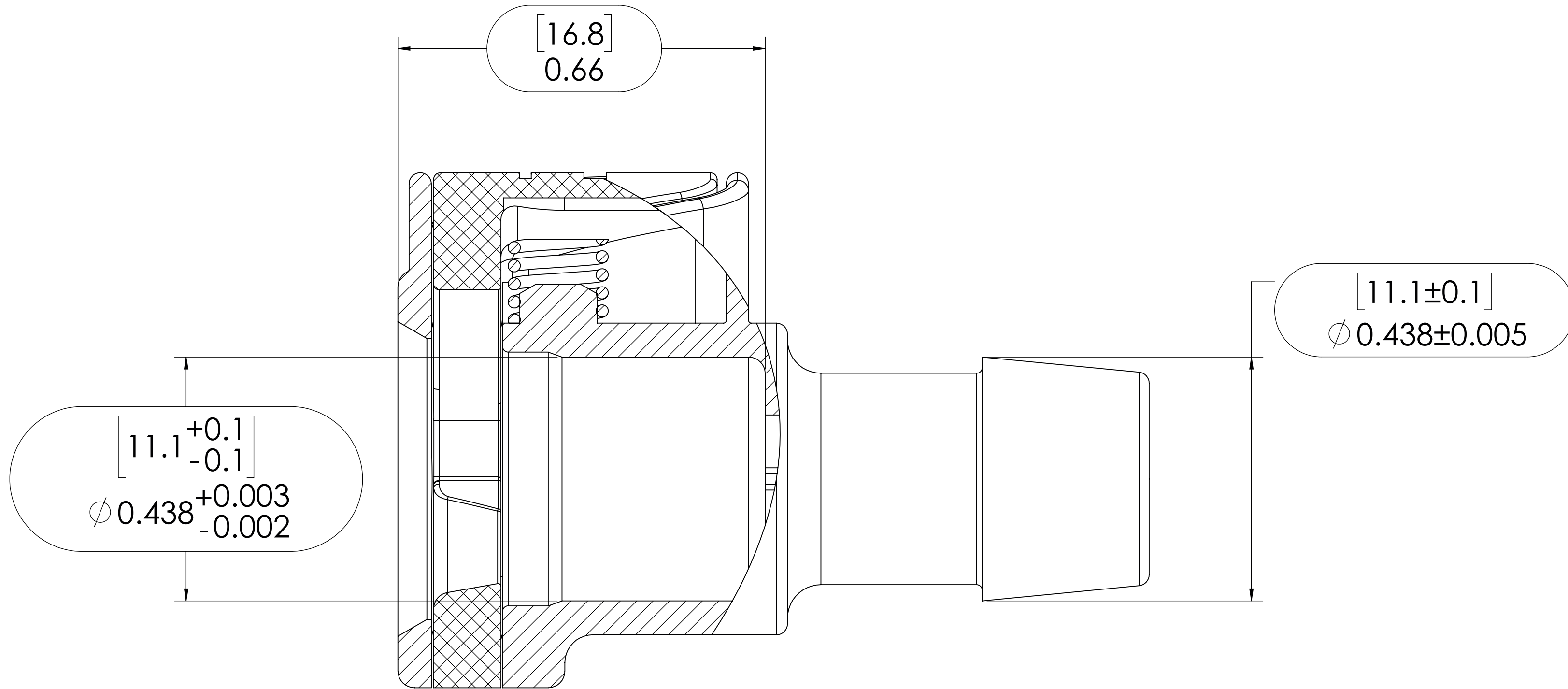
REVISIONS						
SHEET	ZONE	REV.	ECO	DESCRIPTION	DATE	APPROVED
1	ALL	A	CHANGE LATCH MATERIAL TO ACETAL	7/26/2017	CKE
1	ALL	B	50253	UPDATE DWG TO CURRENT FORMAT & STANDARDS	5/15/2018	HRC




NOTES:

1. MATERIAL: GLASS-FILLED POLYPROPYLENE
2. COLOR: NATURAL WHITE

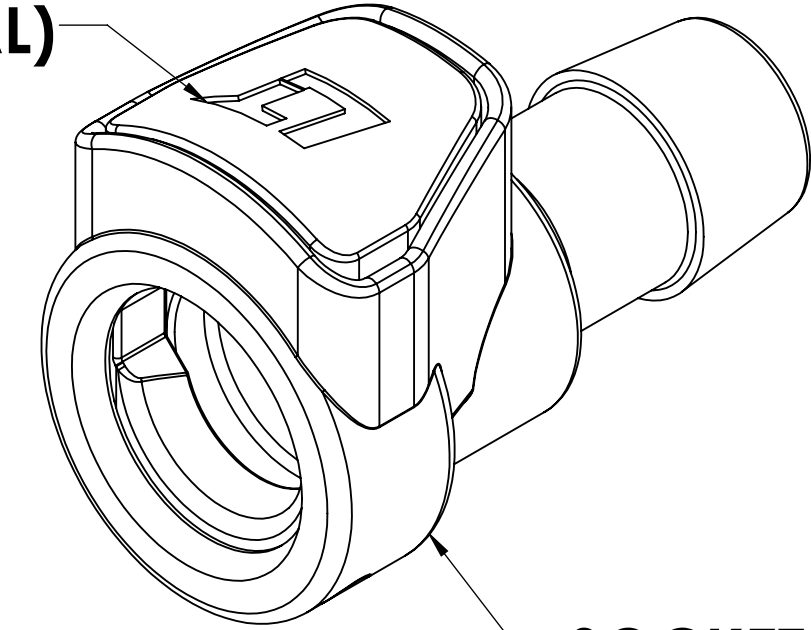
UNLESS OTHERWISE SPECIFIED: DIMENSIONS ARE IN INCHES TOLERANCES: FRACTIONAL ± 1/32 ANGULAR: MACH ± 0.5 BEND ± 2 ONE PLACE DECIMAL ± 0.1 TWO PLACE DECIMAL ± 0.01 THREE PLACE DECIMAL ± 0.005 TWO PLACE DUAL (mm) [± 0.12]	DRAWN	ER	07-26-17	 PART NO: 50GP-S5-06 DESCRIPTION: LinkTech 50GP Series Straight Female, Non-valved, 3/8" HB, Glass filled Polypropylene
	CHECKED	HRC	7-26-17	
	ENG APPR.	HRC	5-15-18	
	MFG APPR.	BDB	5-15-18	
PROPRIETARY AND CONFIDENTIAL THE INFORMATION CONTAINED IN THIS DRAWING IS THE SOLE PROPERTY OF LINKTECH LLC. ANY REPRODUCTION OR DISCLOSURE IN PART OR AS A WHOLE WITHOUT THE WRITTEN PERMISSION OF LINKTECH LLC IS STRICTLY PROHIBITED.	PURCHASING	RK	5-15-18	SIZE DWG. NO. REV C 50GP500030 B
COMMENTS:				SCALE: NTS WEIGHT: SHEET 1 OF 2



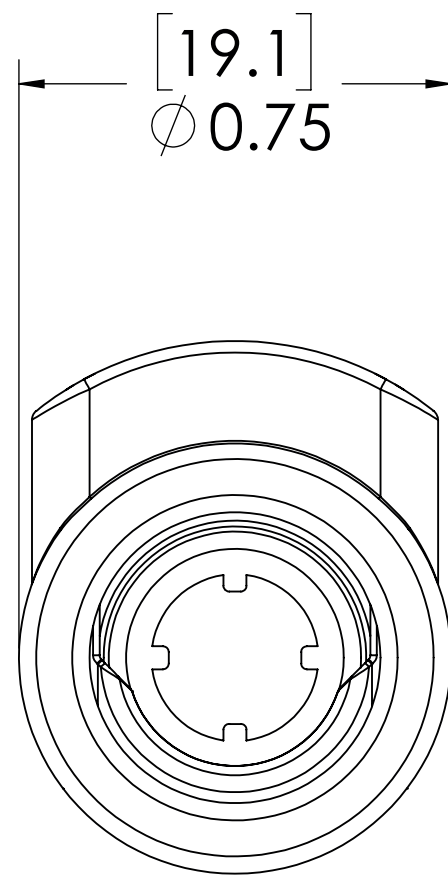
UNLESS OTHERWISE SPECIFIED:		NAME	DATE	 PART NO: 50GP-S5-06
DIMENSIONS ARE IN INCHES TOLERANCES: FRACTIONAL ± 1/32 ANGULAR: MACH ± 0.5 BEND ± 2 ONE PLACE DECIMAL ± 0.1 TWO PLACE DECIMAL ± 0.01 THREE PLACE DECIMAL ± 0.005 TWO PLACE DUAL (mm) [± 0.12]		DRAWN	ER	
PROPRIETARY AND CONFIDENTIAL THE INFORMATION CONTAINED IN THIS DRAWING IS THE SOLE PROPERTY OF LINKTECH LLC. ANY REPRODUCTION OR DISCLOSURE IN PART OR AS A WHOLE WITHOUT THE WRITTEN PERMISSION OF LINKTECH LLC IS STRICTLY PROHIBITED.		CHECKED	HRC	7-26-17
		ENG APPR.	HRC	5-15-18
		MFG APPR.	BDB	5-15-18
		PURCHASING	RK	5-15-18
		COMMENTS:		DESCRIPTION: LinkTech 50GP Series Straight Female, Non-valved, 3/8" HB, Glass filled Polypropylene
SIZE	DWG. NO.			REV
C	50GP500030			B
SCALE: NTS		WEIGHT:		SHEET 2 OF 2

REVISIONS						
SHEET	ZONE	REV.	ECO	DESCRIPTION	DATE	APPROVED
1	ALL	A	...	CHANGE LATCH MATERIAL TO ACETAL	7/26/2017	CKE
1	ALL	B	50253	UPDATE DWG TO CURRENT FORMAT & STANDARS	4/30/2018	

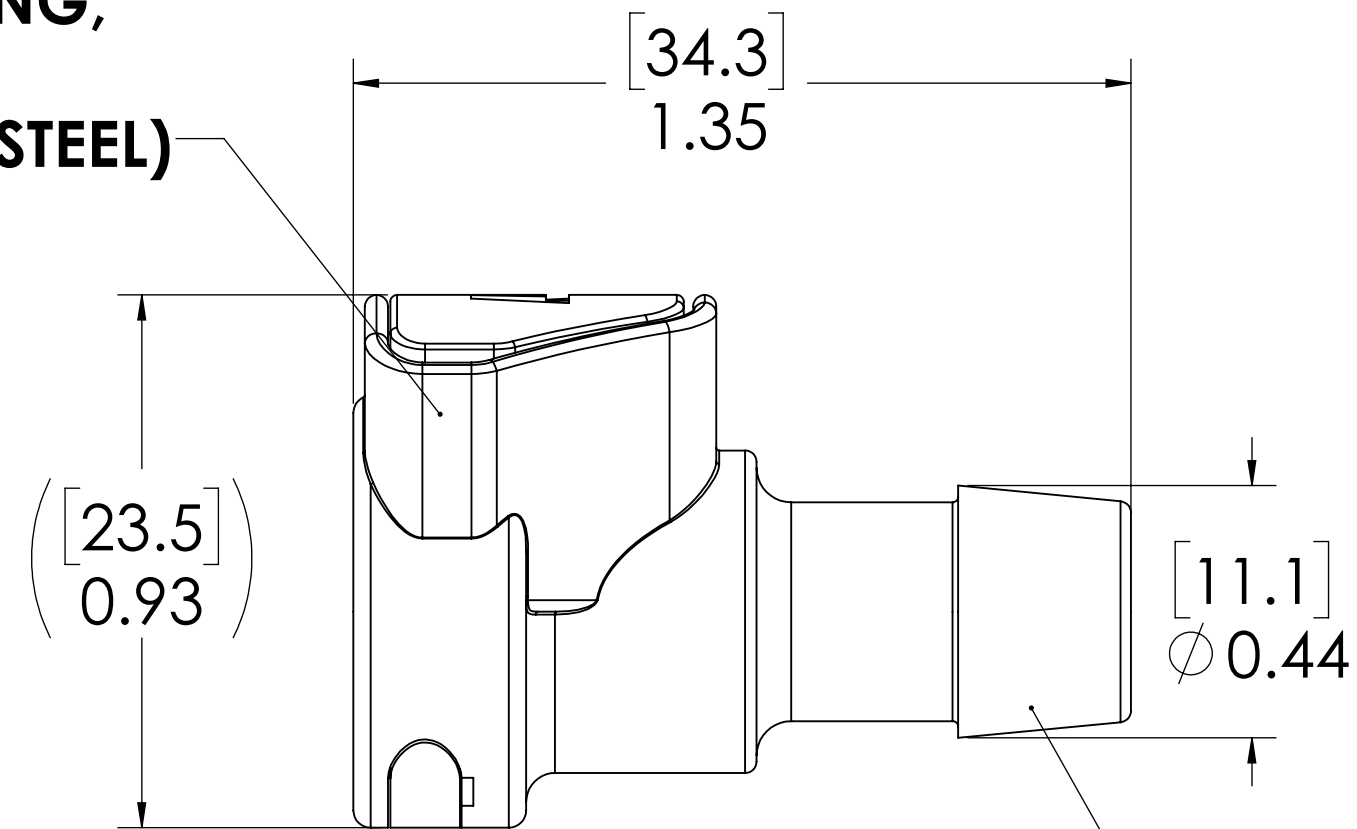
**LATCH,
(ACETAL)**



**SOCKET,
(GLASS-FILLED
POLYPROPYLENE)**



**LATCH SPRING,
INTERNAL
(STAINLESS STEEL)**



3/8" TUBE ID

NOTES:

- MATERIAL: GLASS-FILLED POLYPROPYLENE
- COLOR: NATURAL WHITE

UNLESS OTHERWISE SPECIFIED: DIMENSIONS ARE IN INCHES TOLERANCES: FRACTIONAL ± 1/32 ANGULAR: MACH ± 0.5 BEND ± 2 ONE PLACE DECIMAL ± 0.1 TWO PLACE DECIMAL ± 0.01 THREE PLACE DECIMAL ± 0.005 TWO PLACE DUAL (mm) [± 0.12]	DRAWN	ER	07-26-17	 LINKTECH <small>DRINK EQUIPMENT TECHNOLOGY LLC</small>
	CHECKED	HRC	7-26-17	
PROPRIETARY AND CONFIDENTIAL THE INFORMATION CONTAINED IN THIS DRAWING IS THE SOLE PROPERTY OF LINKTECH LLC. ANY REPRODUCTION OR DISCLOSURE IN PART OR AS A WHOLE WITHOUT THE WRITTEN PERMISSION OF LINKTECH LLC IS STRICTLY PROHIBITED.	ENG APPR.	HRC	5-15-18	PART NO: 50GP-S5-06 DESCRIPTION: LinkTech 50GP Series Straight Female, Non-valved, 3/8" HB, Glass filled Polypropylene
	MFG APPR.	BDB	5-15-18	
	PURCHASING	RK	5-15-18	SCALE: NTS WEIGHT: SHEET 1 OF 1
SIZE DWG. NO. REV C 50GP500030 B				